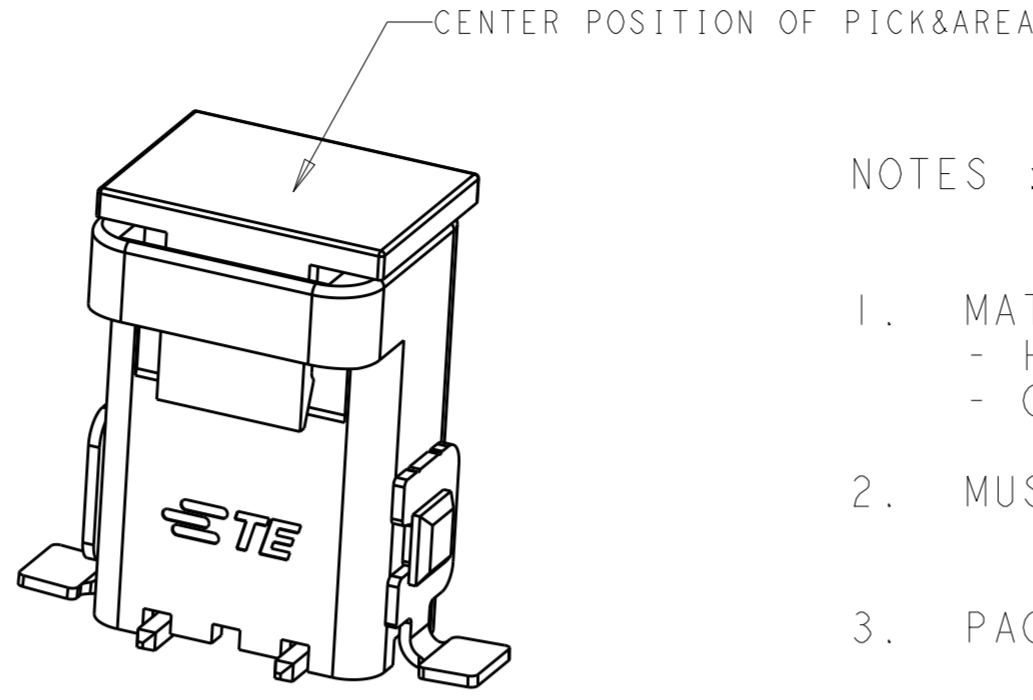
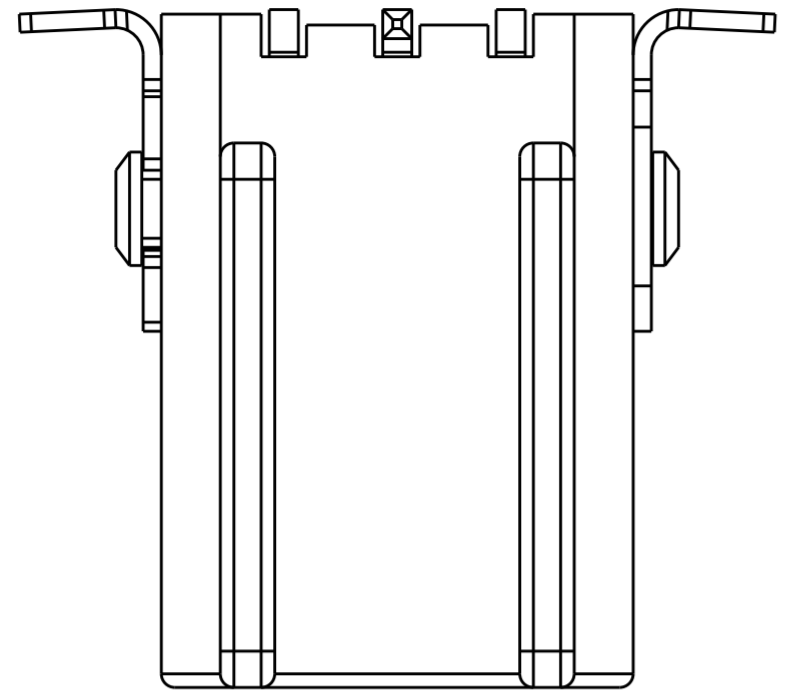
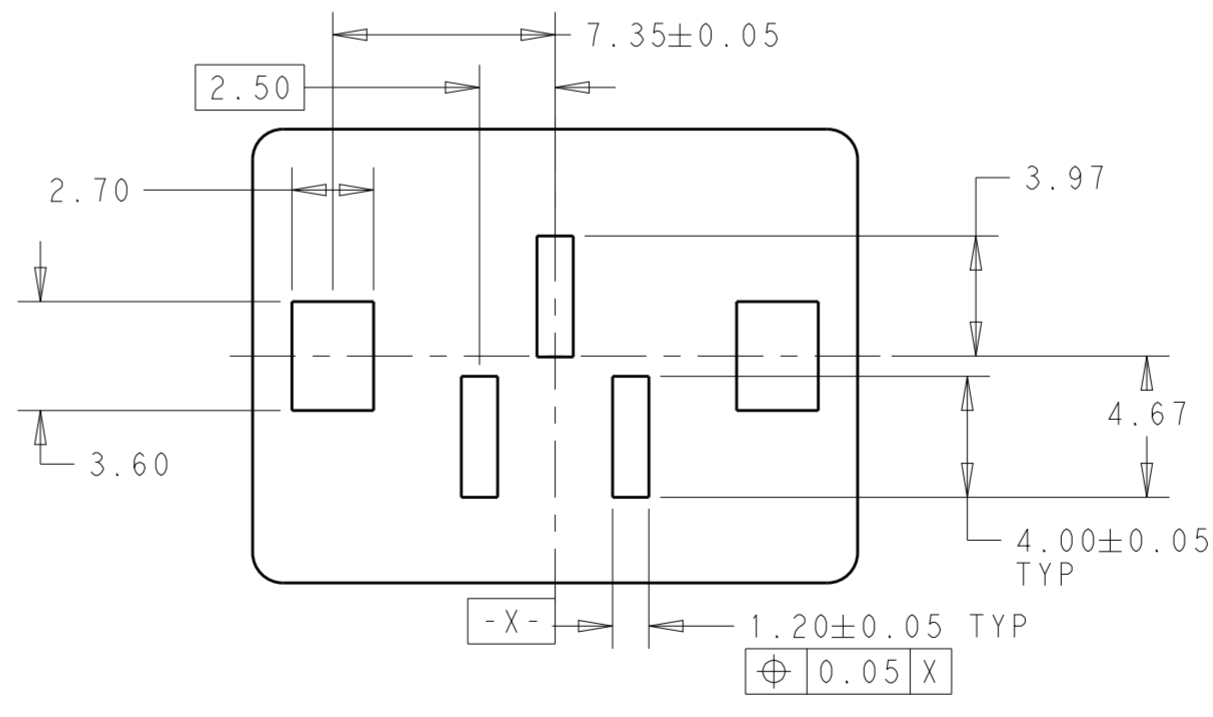
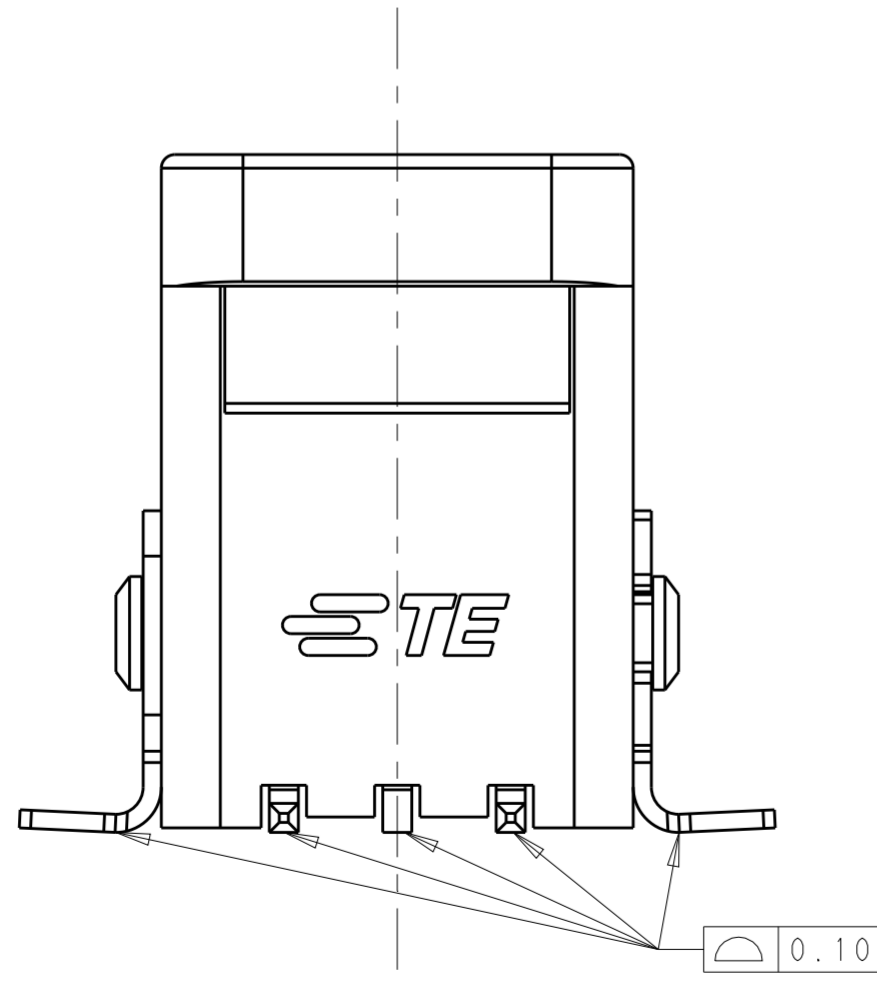
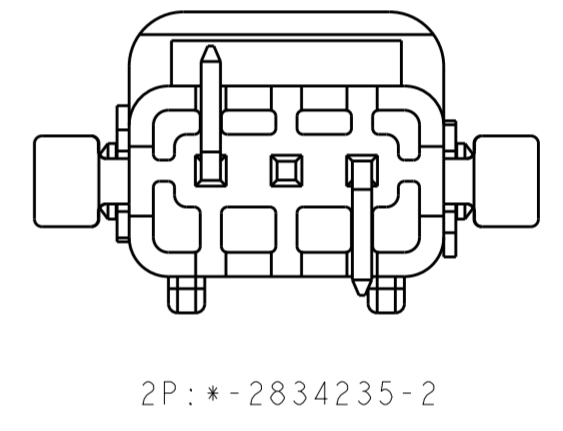
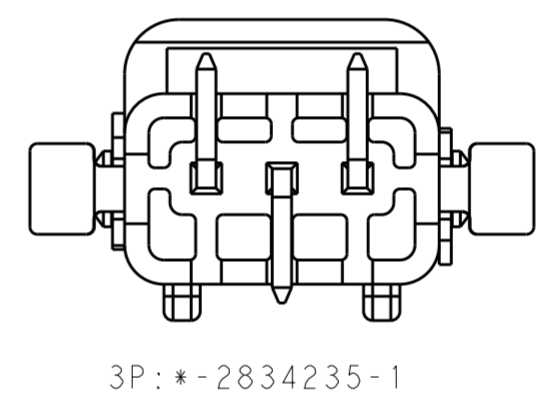
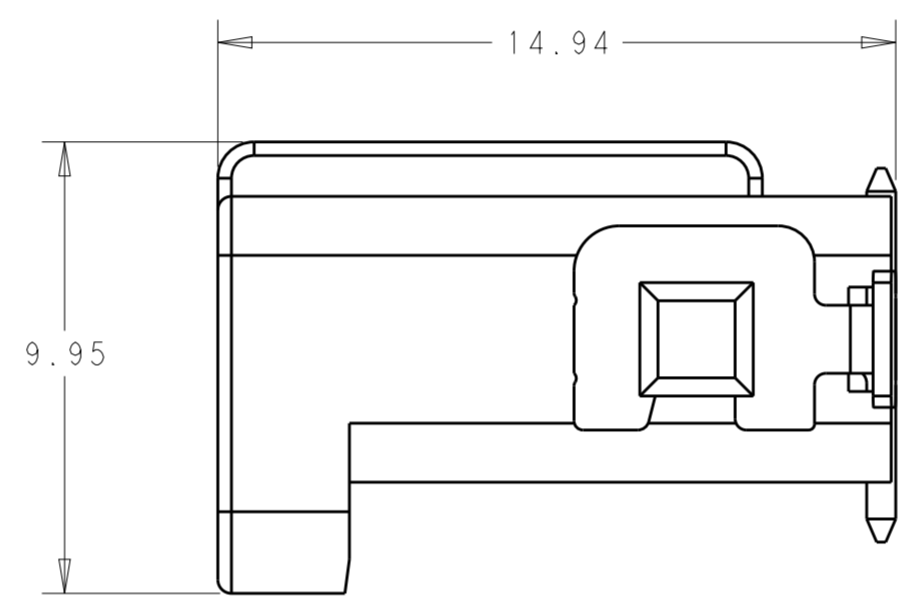
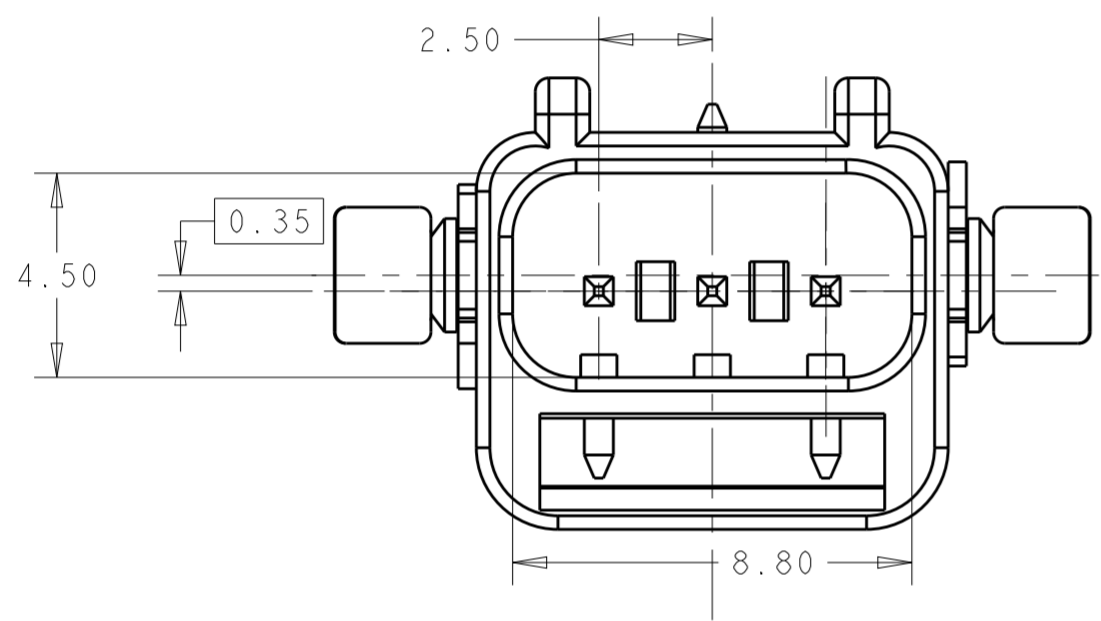


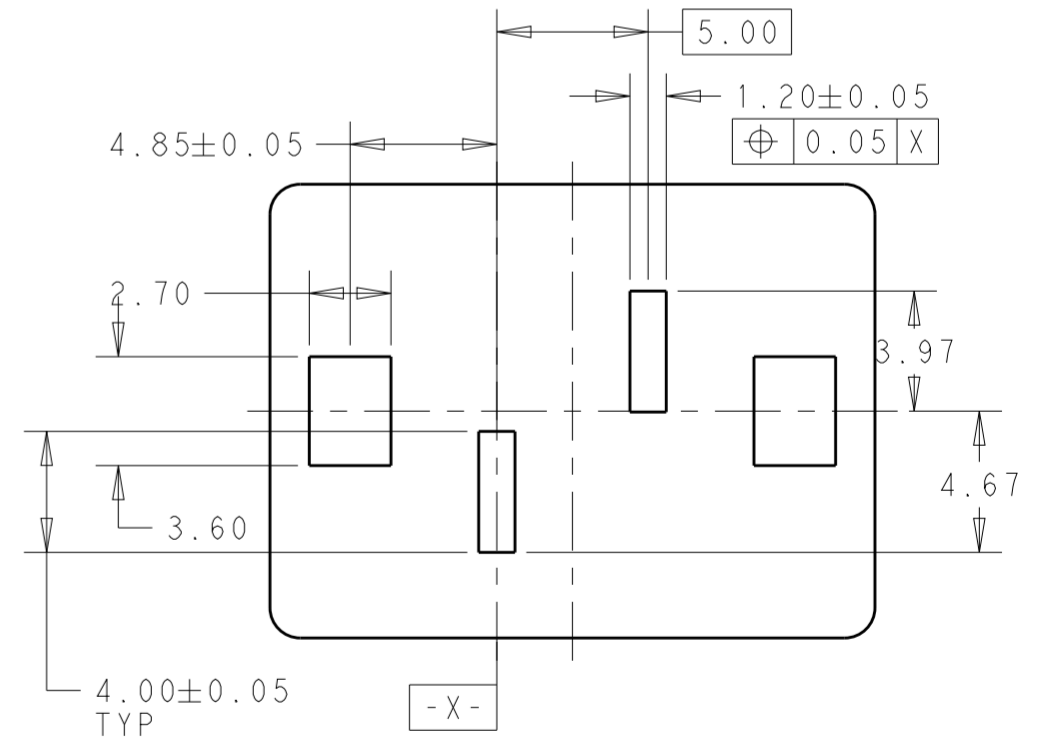
REVISIONS					
P	LTR	DESCRIPTION	DATE	DWN	APVD
A1		UPDATE THE PAD WIDTH TO 1.20mm	26MAY2017	G.F	S.M
A2		ECR-17-015236 UPDATE PART NO	16OCT2017	G.F	S.M
A3		ECR-18-009817 ADD CAP	31MAY2018	G.F	S.M
A4		ECR-19-007482 ADD NEW P/N	14MAY2019	G.F	S.M



- NOTES :
- MATERIALS AND FINISH:
 - HOUSING: LCP
 - CONTACTS: COPPER ALLOY, FINISH: TIN OVER NICKEL UNDERPLATE
 - MUST COMPLY WITH DIRECTIVE 2002/95/EC (ROHS)
 - PACKAGED IN TAPE AND REEL



3P LAYOUT FOR *-2834235-1



2P LAYOUT FOR *-2834235-2

RED	3-2834235-2	2P
BLACK	2-2834235-2	
NATURAL	1-2834235-2	
RED	3-2834235-1	3P
BLACK	2-2834235-1	
NATURAL	1-2834235-1	
COLOR	P/N	POSITION

SCALE 6:1

THIS DRAWING IS A CONTROLLED DOCUMENT.		DWN GEORGE FU 16OCT2017	TE Connectivity	
DIMENSIONS: mm		CHK GEORGE FU 16OCT2017		
TOLERANCES UNLESS OTHERWISE SPECIFIED:		APVD SHI MING 16OCT2017		
0 PLC ± 1 PLC ±0.2 2 PLC ±0.15 3 PLC ± 4 PLC ± ANGLES ± FINISH		PRODUCT SPEC 108-137266 APPLICATION SPEC 114-137266 WEIGHT - CUSTOMER DRAWING		
NOTE 1		NAME 2.5MM VERTICAL SMT TYPE WTB CONNECTOR SIZE A2 CAGE CODE - DRAWING NO C-2834235 RESTRICTED TO SCALE 5:1 SHEET 1 OF 1 REV A4		

X-ON Electronics

Largest Supplier of Electrical and Electronic Components

Click to view similar products for [Lighting Connectors](#) category:

Click to view products by [TE Connectivity](#) manufacturer:

Other Similar products are found below :

[293300-7](#) [293660-5](#) [CNX_H03_NTP](#) [30-9767-BU](#) [3605](#) [3-21030-1](#) [ZCH-110-RGB-I](#) [503471-0290](#) [ZCH-110-RGB-J](#) [217-0716-200](#)
[1954563-1](#) [1-293657-2](#) [2834036-1](#) [2834037-1](#) [1-2213222-4](#) [2-2213222-4](#) [2213222-4](#) [2834122-3](#) [2834122-5](#) [2834135-2](#) [FLA-R4142-30](#)
[FLA-R4162-30](#) [FLA-R2142-30](#) [FLA-R2141-30](#) [FLA-R2162-30](#) [FLA-R2161-30](#) [FLA-R0161-30](#) [FLA-R0141-30](#) [FLA-R0142-30](#) [FLA-](#)
[R0162-30](#) [FLA-C00-00](#) [DGA00010553](#) [CNXV04NTP](#) [104128-0610](#) [503485-0000 \(Cut Strip\)](#) [503485-0000 \(Loose Piece\)](#) [503485-0000](#)
[\(MINI Reel\)](#) [1-2834074-2](#) [1-2834074-3](#) [1357-AC PLUG W2C \(CHINA\)](#) [1357-AC PLUG W2 \(USA\)](#) [104266-0110](#) [CNXV02NTP](#) [2106212-1](#)
[2-2834074-2](#) [104266-0210](#) [293470-1](#) [293651-2](#) [293651-4](#) [1-2834006-2](#)