

4

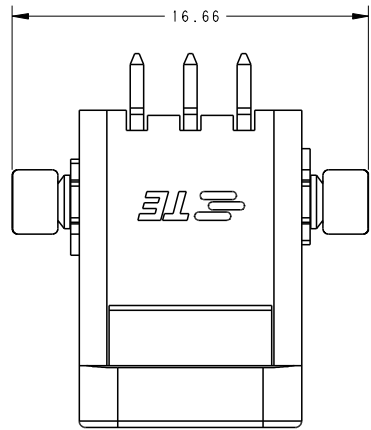
3

2

1

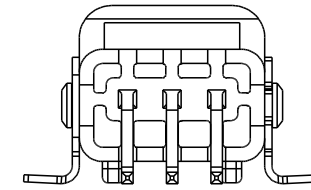
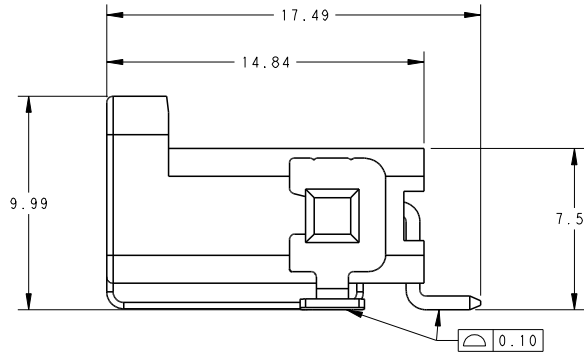
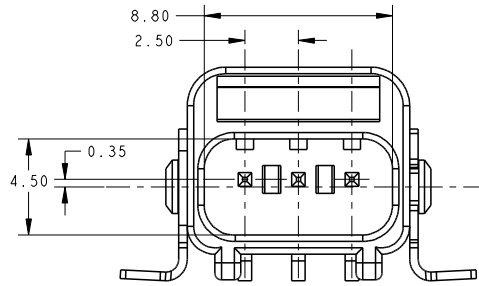
THIS DRAWING IS UNPUBLISHED. RELEASED FOR PUBLICATION 20
© COPYRIGHT 20 BY - ALL RIGHTS RESERVED.

REVISIONS				
P	LYR	DESCRIPTION	DATE	DWN APVD
A		FIRST VERSION	14MAR2017	G.F S.M
A1		UPDATE THE PAD WIDTH	26MAY2017	G.F S.M
A2		ECR-17-015236:UPDATE THE P/N	16OCT2017	G.F S.M
A3		ECR-18-009817	17APR2018	S.G S.M

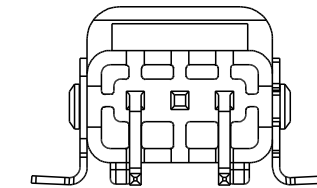


NOTES :

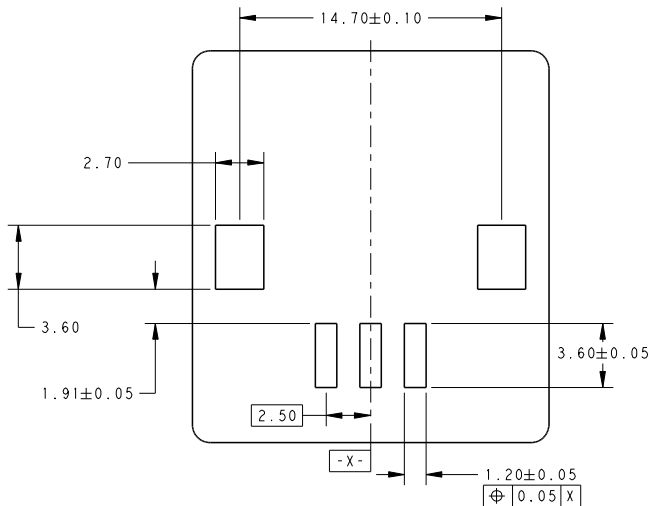
- MATERIALS AND FINISH:
 - HOUSING: LCP
 - CONTACTS: COPPER ALLOY, FINISH: TIN OVER NICKEL UNDERPLATE
- MUST COMPLY WITH DIRECTIVE 2002/95/EC (ROHS)
- PACKAGED IN TAPE AND REEL



3P: *-2834236-1



2P: *-2834236-2



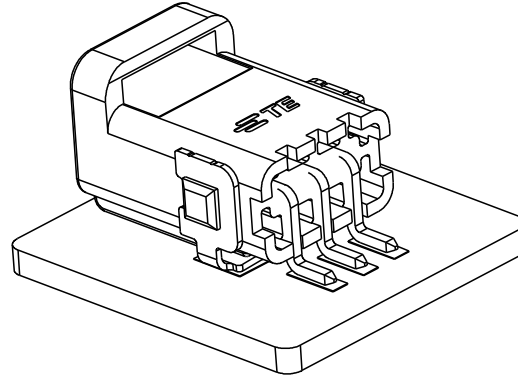
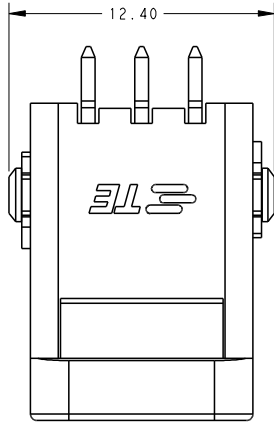
*-2834236-1&-2 PCB LAYOUT

BLACK	2-2834236-2	2P
NATURAL	1-2834236-2	
BLACK	2-2834236-1	3P
NATURAL	1-2834236-1	
COLOR	P/N	POSITION

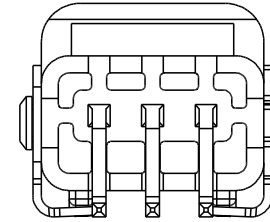
DIMENSIONS:		TOLERANCES UNLESS OTHERWISE SPECIFIED:		DWN - GEORGE FU 16OCT2017		TE Connectivity	
mm		0 PLC ±	1 PLC ±0.2	CIR - GEORGE FU 16OCT2017		NAME 2.5MM R/A SMT TYPE	
		2 PLC ±0.15	3 PLC ±	CIR - GEORGE FU 16OCT2017		WTB CONNECTOR	
		4 PLC ±	ANGLES ±	APVD - SHEI MING 16OCT2017		SIZE CAGE CODE DRAWING NO	
		FINISH		PRODUCT SPEC		A2	
MATERIAL NOTE 1		NOTE 1		APPLICATION SPEC		RESTRICTED TO	
				108-137266		SCALE 4:1 SHEET 1 OF 2 REV A3	
				114-137266		RESTRICTED CUSTOMER	
				WEIGHT		C=2834236	

THIS DRAWING IS UNPUBLISHED. RELEASED FOR PUBLICATION 20
 © COPYRIGHT 20 BY ALL RIGHTS RESERVED.

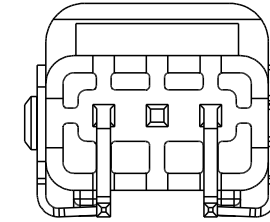
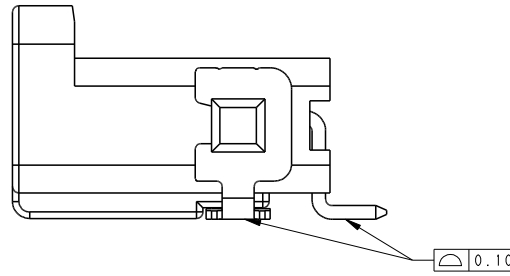
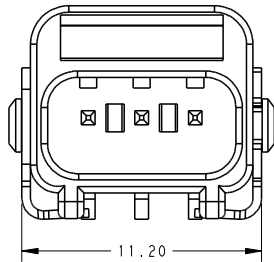
REVISIONS				
P	LYR	DESCRIPTION	DATE	APVD



NOTE:
 MORE DIMENSIONS PLEASE FOLLOW PAGE ONE.

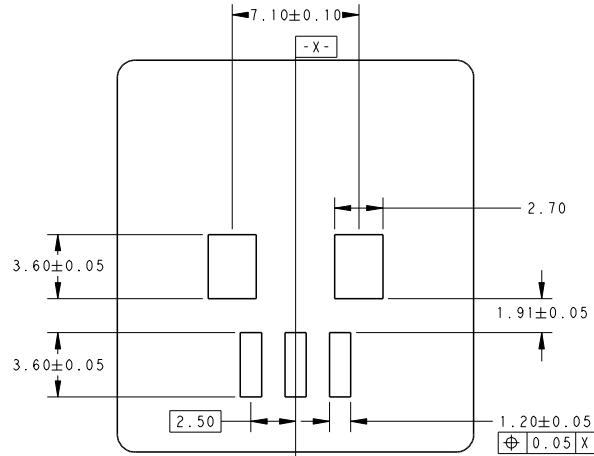


3P: *-2834236-3



2P: *-2834236-4

BLACK	2-2834236-4	2P
NATURAL	1-2834236-4	2P
BLACK	2-2834236-3	3P
NATURAL	1-2834236-3	3P
COLOR	P/N	POSITION



*-2834236-3&-4 PCB LAYOUT

THIS DRAWING IS A CONTROLLED DOCUMENT.		DWN: GEORGE FU 16OCT2017	TE Connectivity
DIMENSIONS: mm		CHK: GEORGE FU 16OCT2017	
TOLERANCES UNLESS OTHERWISE SPECIFIED:		APVD: SHI MING 16OCT2017	NAME: 2.5MM R/A SMT TYPE
0 PLC ±	1 PLC ±0.2	PRODUCT SPEC: 108-137266	WTB CONNECTOR
2 PLC ±0.15	3 PLC ±	APPLICATION SPEC: 114-137266	SIZE: A2
4 PLC ±	ANGLES ±	WEIGHT: -	CAGE CODE: -
MATERIAL: NOTE 1	FINISH: NOTE 1	RESTRICTED TO: -	DRAWING NO: ©=2834236
RESTRICTED CUSTOMER		SCALE: 4:1	SHEET: 2 OF 2
		REV: A3	

X-ON Electronics

Largest Supplier of Electrical and Electronic Components

Click to view similar products for [Lighting Connectors](#) category:

Click to view products by [TE Connectivity](#) manufacturer:

Other Similar products are found below :

[293300-7](#) [293660-5](#) [CNX_H03_NTP](#) [30-9767-BU](#) [3605](#) [3-21030-1](#) [ZCH-110-RGB-I](#) [503471-0290](#) [ZCH-110-RGB-J](#) [217-0716-200](#)
[1954563-1](#) [1-293657-2](#) [2834036-1](#) [2834037-1](#) [1-2213222-4](#) [2-2213222-4](#) [2213222-4](#) [2834122-3](#) [2834122-5](#) [2834135-2](#) [FLA-R4142-30](#)
[FLA-R4162-30](#) [FLA-R2142-30](#) [FLA-R2141-30](#) [FLA-R2162-30](#) [FLA-R2161-30](#) [FLA-R0161-30](#) [FLA-R0141-30](#) [FLA-R0142-30](#) [FLA-](#)
[R0162-30](#) [FLA-C00-00](#) [DGA00010553](#) [CNXV04NTP](#) [104128-0610](#) [503485-0000 \(Cut Strip\)](#) [503485-0000 \(Loose Piece\)](#) [503485-0000](#)
[\(MINI Reel\)](#) [1-2834074-2](#) [1-2834074-3](#) [1357-AC PLUG W2C \(CHINA\)](#) [1357-AC PLUG W2 \(USA\)](#) [104266-0110](#) [CNXV02NTP](#) [2106212-1](#)
[2-2834074-2](#) [104266-0210](#) [293470-1](#) [293651-2](#) [293651-4](#) [1-2834006-2](#)