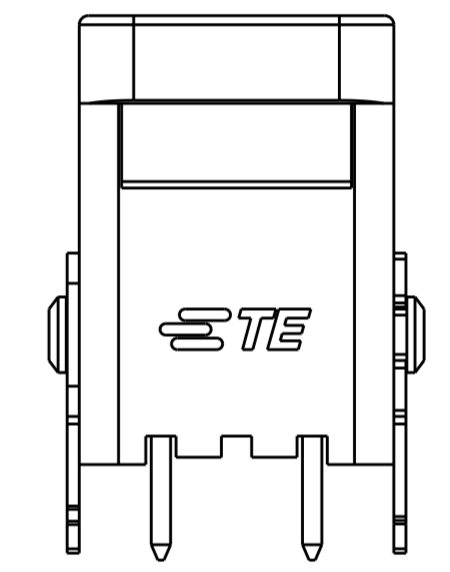
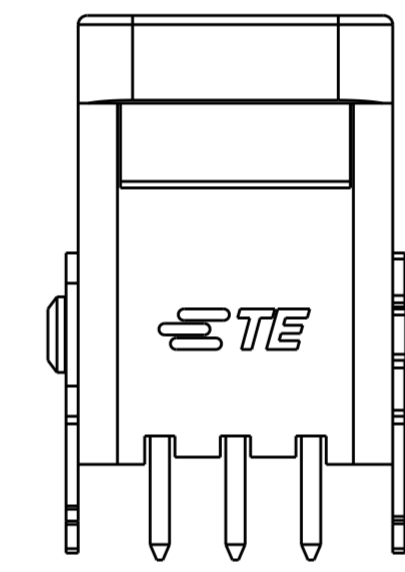
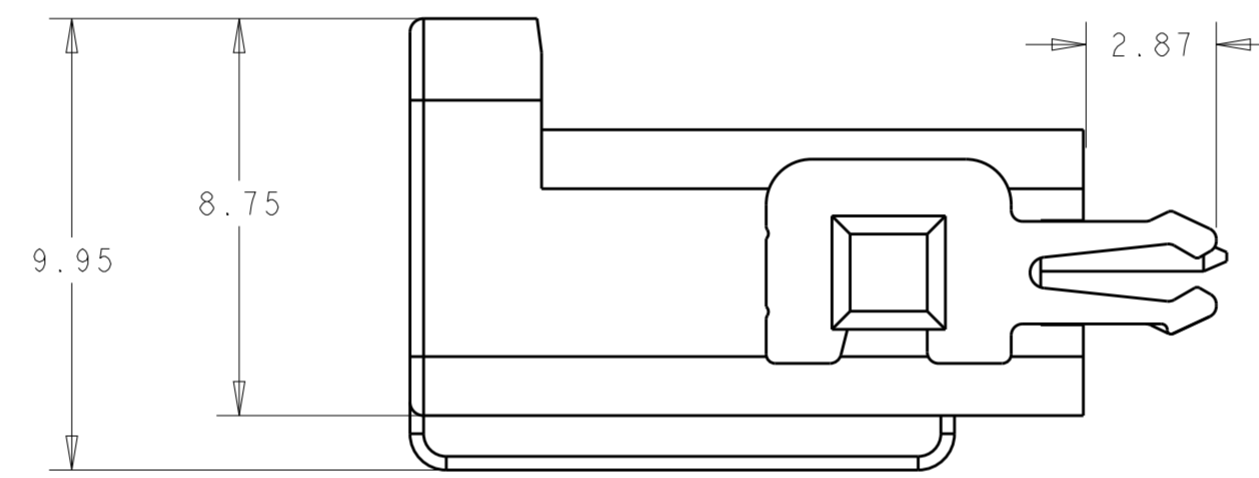
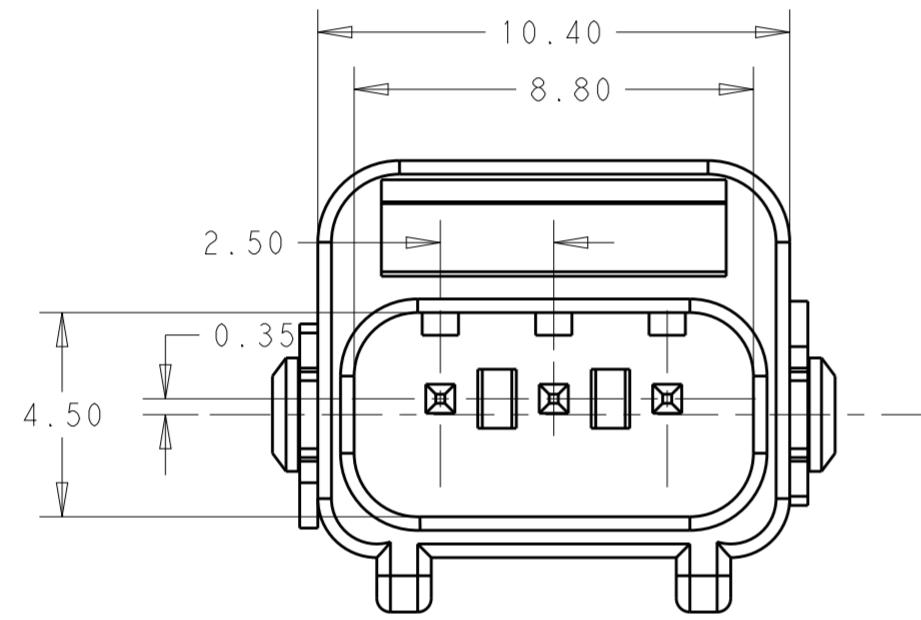
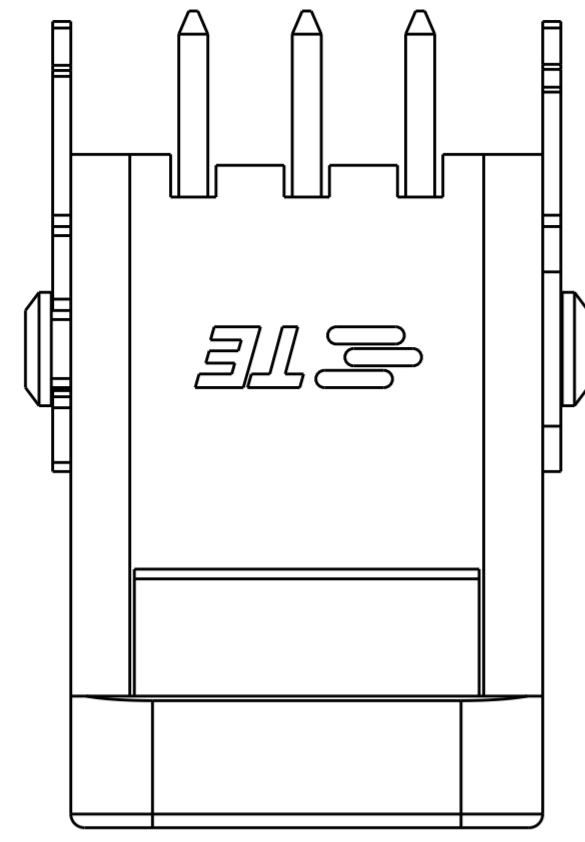


THIS DRAWING IS UNPUBLISHED. RELEASED FOR PUBLICATION  
 © COPYRIGHT copyright.d8te- ALL RIGHTS RESERVED.

REVISIONS					
P	LTR	DESCRIPTION	DATE	DWN	APVD
	A	FIRST VERSION	25APR2017	G.F	S.M
	A1	ECR-17-015236: ADD COLOR P/N	16OCT2017	G.F	S.M
	A2	ECR-18-009817	25JUN2018	G.F	S.M

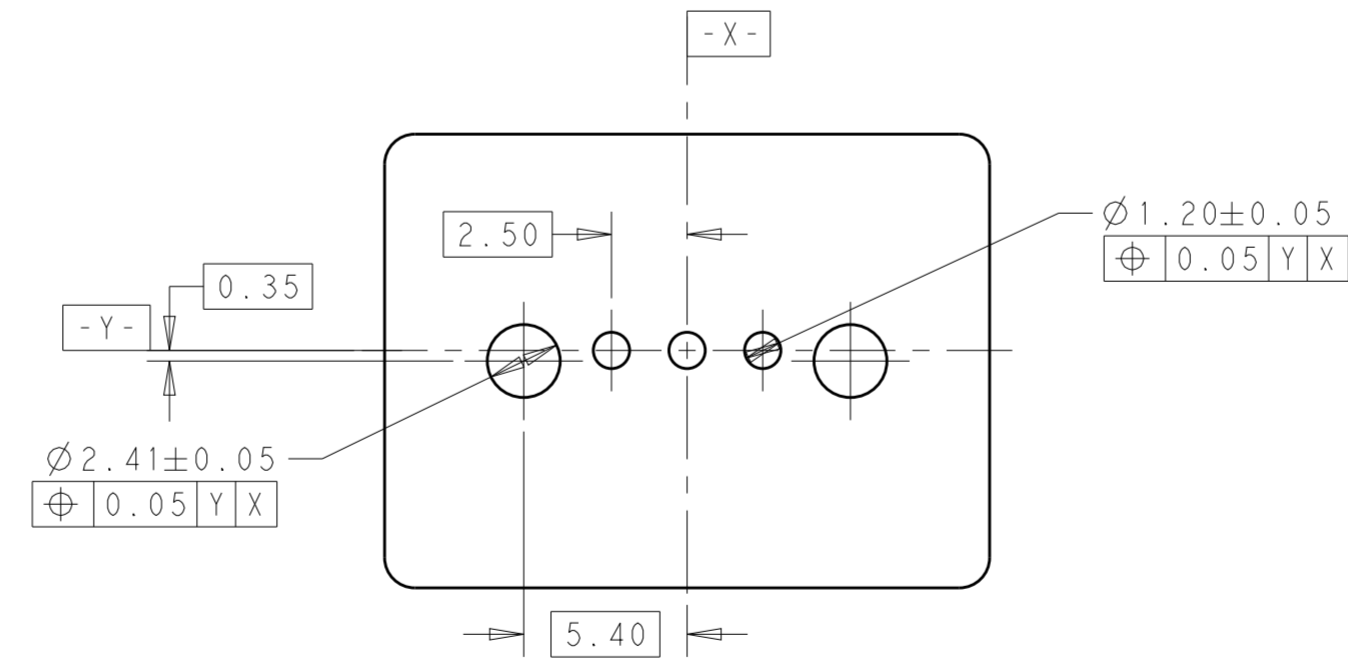
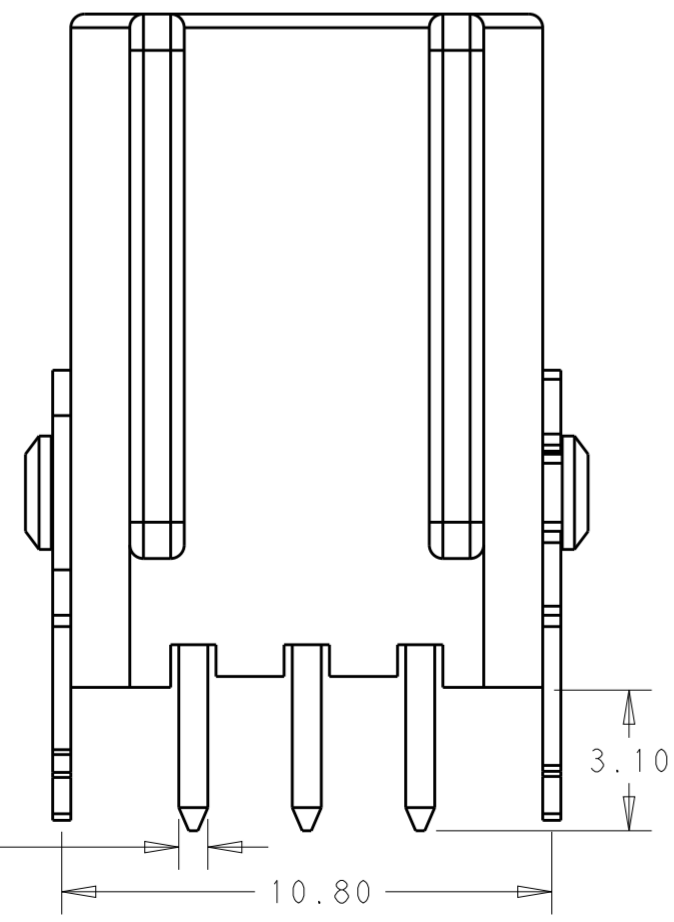
NOTES :

- MATERIALS AND FINISH:  
 - HOUSING: HIGH THERMOPLASTIC  
 - CONTACTS: COPPER ALLOY, FINISH: TIN OVER NICKEL UNDERPLATE
- MUST COMPLY WITH DIRECTIVE 2002/95/EC (ROHS)
- PACKAGED IN TRAY



3P: \*-2834237-1

2P: \*-2834237-2



PCB LAYOUT

COLOR	PART NO	POSITION
WHITE	5-2834237-2	2P
GRAY	4-2834237-2	
RED	3-2834237-2	
BLACK	2-2834237-2	3P
NATURAL	1-2834237-2	
WHITE	5-2834237-1	
GRAY	4-2834237-1	3P
RED	3-2834237-1	
BLACK	2-2834237-1	
NATURAL	1-2834237-1	
COLOR	PART NO	POSITION

SCALE 6:1

THIS DRAWING IS A CONTROLLED DOCUMENT.		DWN: GEORGE FU 16OCT2017	TE Connectivity	
DIMENSIONS: mm		CHK: GEORGE FU 16OCT2017		
TOLERANCES UNLESS OTHERWISE SPECIFIED:		APVD: SHI MING 16OCT2017	NAME: 2.5mm PITCH VERTICAL TH WtoB CONN.	
0 PLC ±	1 PLC ±0.20	PRODUCT SPEC: 108-137266	SIZE: A2	
2 PLC ±0.15	3 PLC ±	APPLICATION SPEC: 114-137266	CAGE CODE: C-2834237	DRAWING NO: C-2834237
4 PLC ±	ANGLES ±	WEIGHT: -	RESTRICTED TO: -	SCALE: 4:1
FINISH	NOTE 1	CUSTOMER DRAWING	SHEET: 1 OF 1	REV: A2

## X-ON Electronics

Largest Supplier of Electrical and Electronic Components

*Click to view similar products for [Lighting Connectors](#) category:*

*Click to view products by [TE Connectivity](#) manufacturer:*

Other Similar products are found below :

[293300-7](#) [293660-5](#) [CNX\\_H03\\_NTP](#) [30-9767-BU](#) [3605](#) [3-21030-1](#) [ZCH-110-RGB-I](#) [503471-0290](#) [ZCH-110-RGB-J](#) [217-0716-200](#)  
[1954563-1](#) [1-293657-2](#) [2834036-1](#) [2834037-1](#) [1-2213222-4](#) [2-2213222-4](#) [2213222-4](#) [2834122-3](#) [2834122-5](#) [2834135-2](#) [FLA-R4142-30](#)  
[FLA-R4162-30](#) [FLA-R2142-30](#) [FLA-R2141-30](#) [FLA-R2162-30](#) [FLA-R2161-30](#) [FLA-R0161-30](#) [FLA-R0141-30](#) [FLA-R0142-30](#) [FLA-](#)  
[R0162-30](#) [FLA-C00-00](#) [DGA00010553](#) [CNXV04NTP](#) [104128-0610](#) [503485-0000 \(Cut Strip\)](#) [503485-0000 \(Loose Piece\)](#) [503485-0000](#)  
[\(MINI Reel\)](#) [1-2834074-2](#) [1-2834074-3](#) [1357-AC PLUG W2C \(CHINA\)](#) [1357-AC PLUG W2 \(USA\)](#) [104266-0110](#) [2106212-1](#) [2-2834074-2](#)  
[104266-0210](#) [293470-1](#) [293651-2](#) [293651-4](#) [1-2834006-2](#) [293651-1](#)