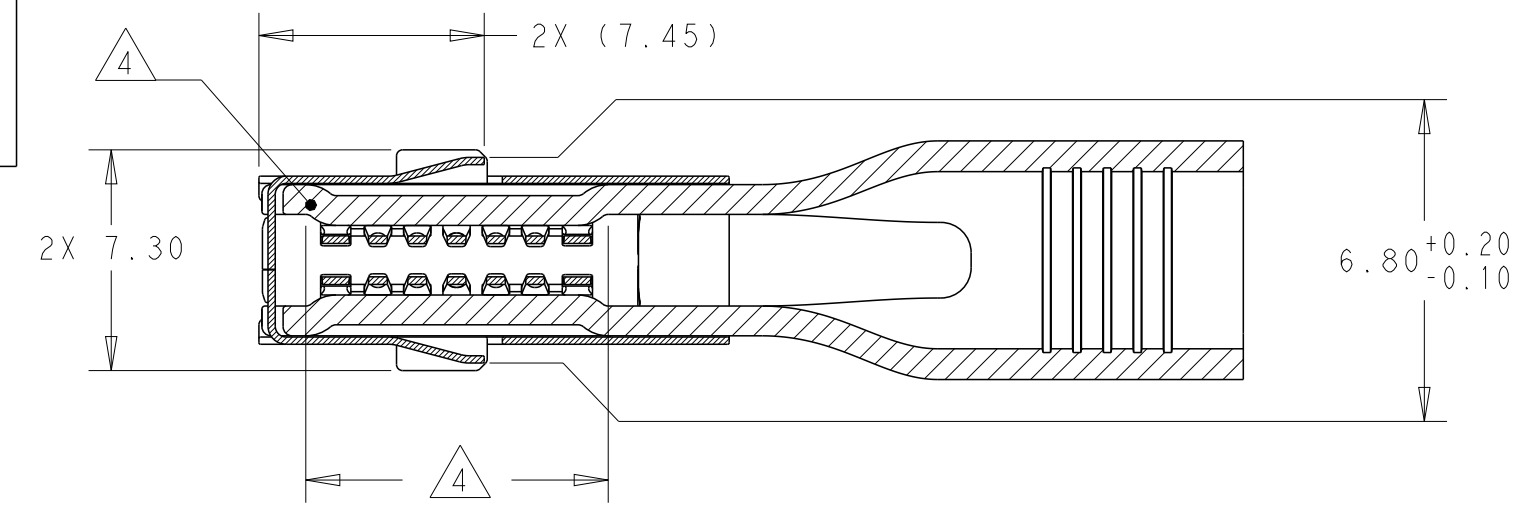
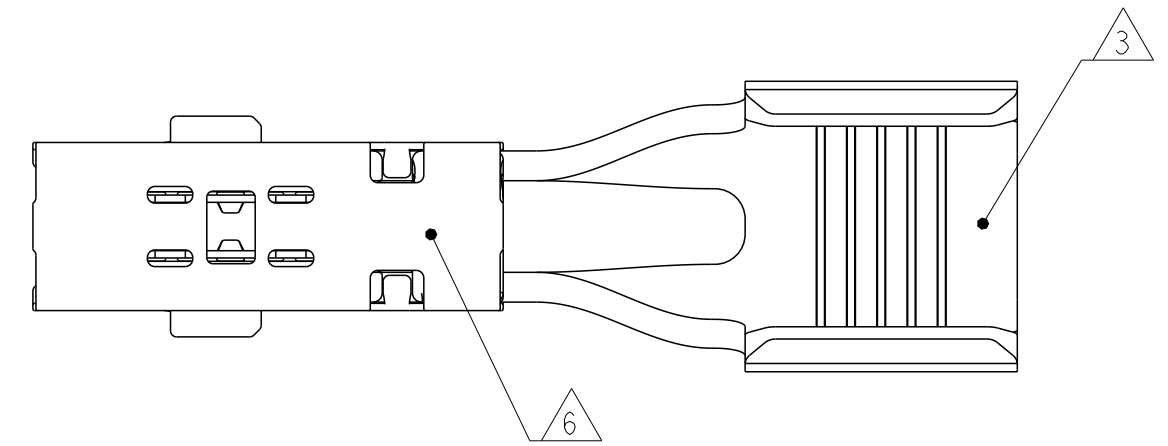
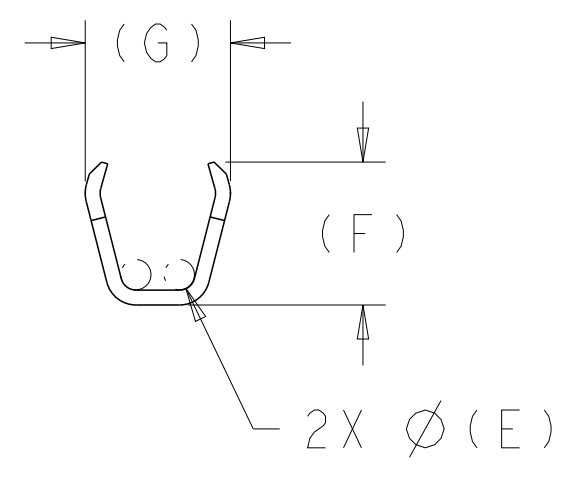
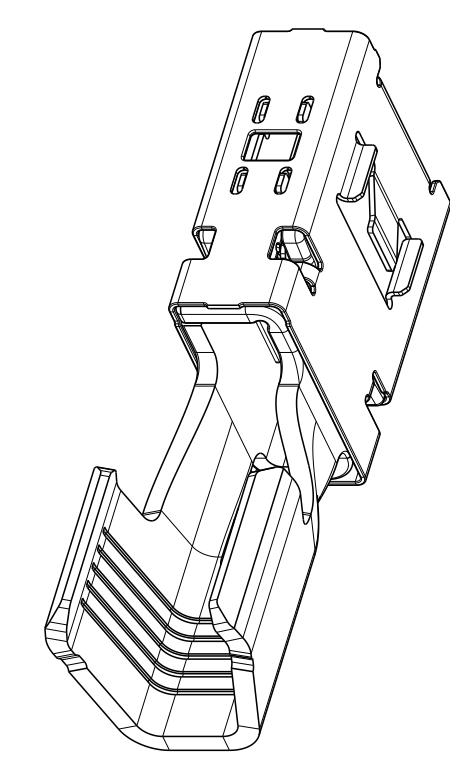
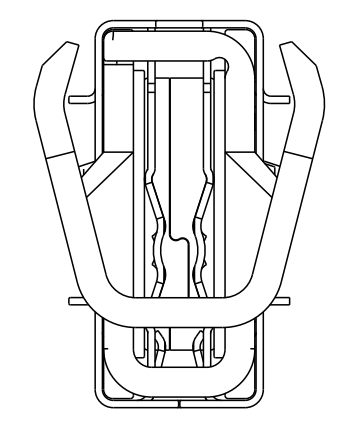
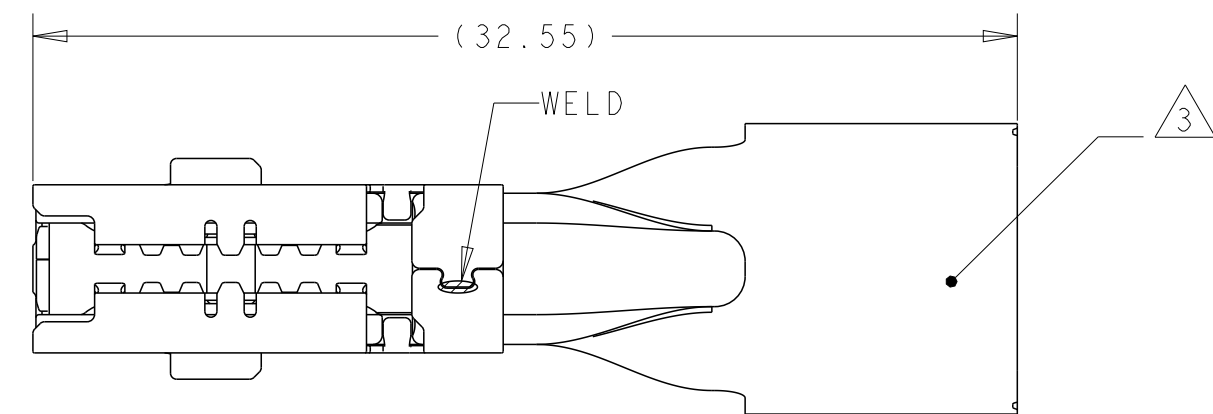
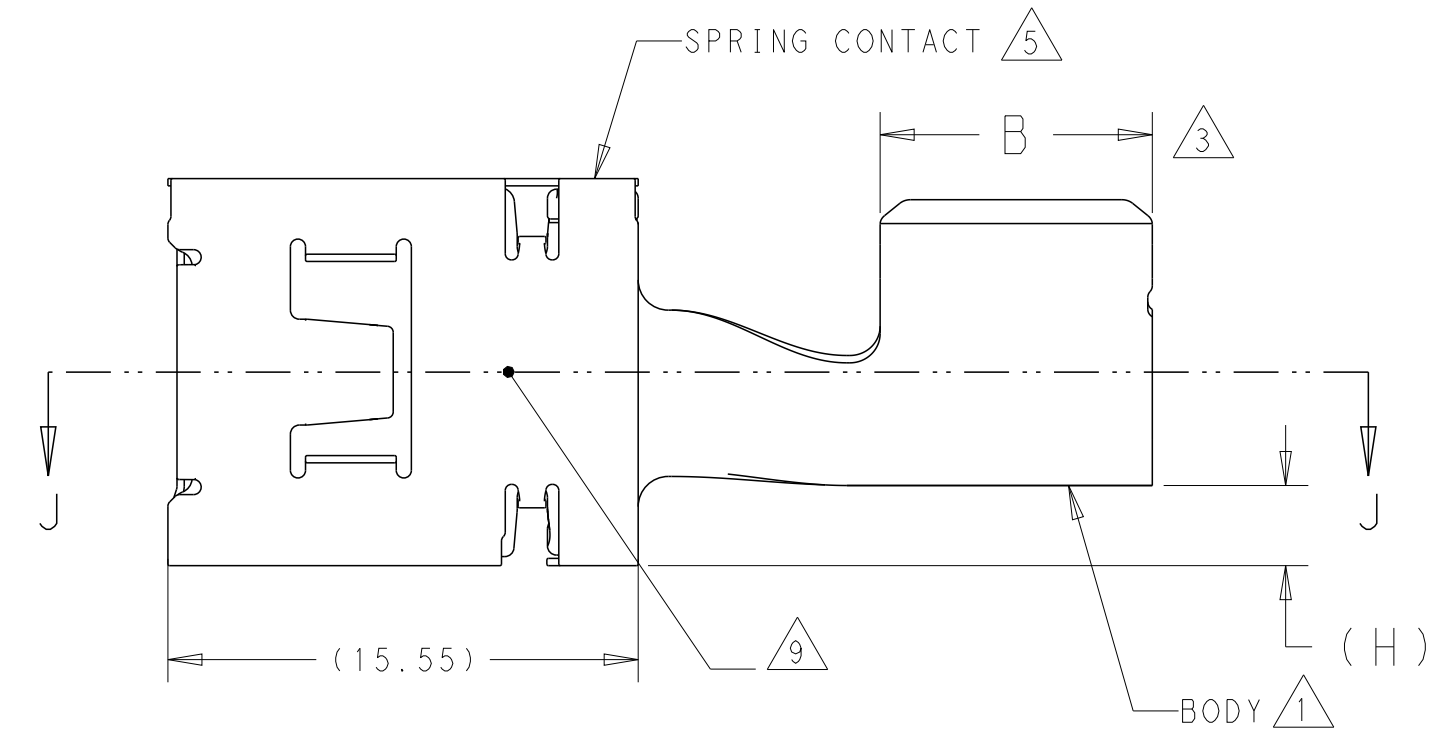
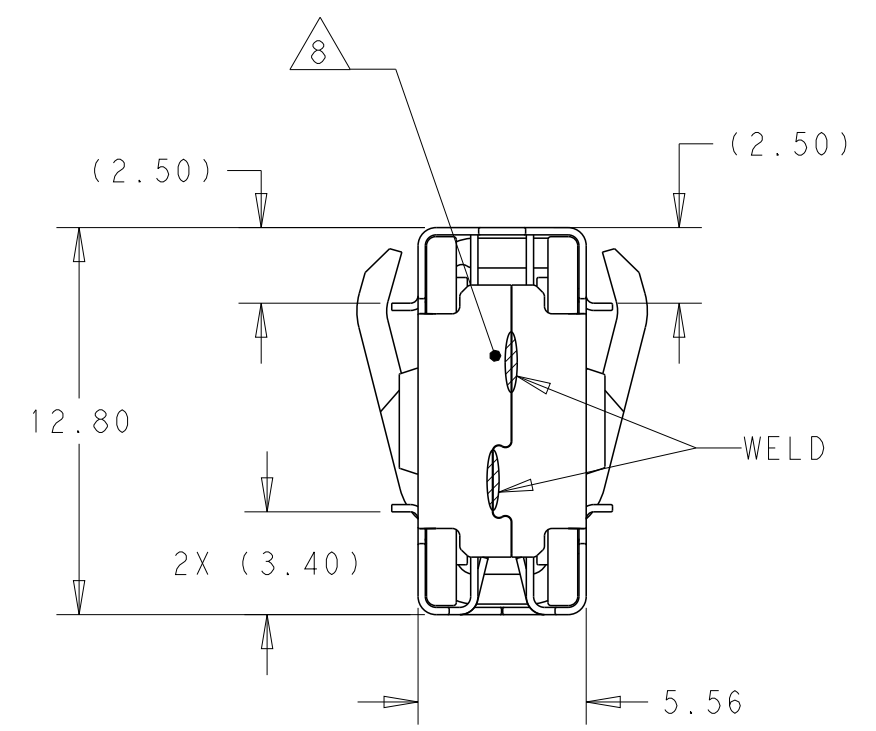


THIS DRAWING IS UNPUBLISHED. RELEASED FOR PUBLICATION  
 © COPYRIGHT 2017 BY TE CONNECTIVITY CORPORATION ALL RIGHTS RESERVED.

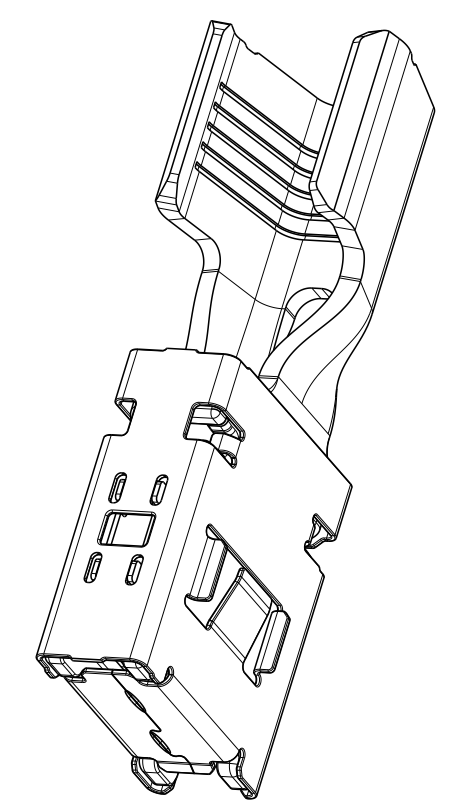
| REVISIONS |     |                                      |             |     |      |
|-----------|-----|--------------------------------------|-------------|-----|------|
| P         | LTR | DESCRIPTION                          | DATE        | DWN | APVD |
| 2         |     | UPDATED TO REFLECT COMPONENT CHANGES | 30AUG2017   | RGV | AT   |
| A         |     | REV PER ECR-18-011841                | 26JUL2018   | MK  | WS   |
| A1        |     | REV PER ECR-18-017021                | 26 OCT 2018 | WS  | AT   |
| A2        |     | REV PER ECR-18-018118                | 16NOV2018   | WS  | AT   |



SECTION J-J



SCALE 3:1



SCALE 3:1

- 1 BODY MATERIAL: (1.00) THICK COPPER ALLOY
- 2. NOTE REMOVED
- 3 BODY FINISH: SELECTIVE TIN PLATING OVER NICKEL IN GRIP AREA
- 4 BODY FINISH: SELECTIVE SILVER PLATING OVER NICKEL IN CONTACT AREA
- 5 SPRING (0.25) THICK COPPER ALLOY
- 6 WEEK (YWW) LASER MARKED 0.65 HGH CHARACTERS, LOCATED APPROX AS SHOWN
- A2 7. NOTE REMOVED
- 8 SPRING FINISH: SELECTIVE TIN OVER NICKEL PLATING
- 9 SPRING FINISH: SELECTIVE SILVER OVER NICKEL PLATING

|      |      |      |      |      |                               |             |             |     |
|------|------|------|------|------|-------------------------------|-------------|-------------|-----|
| 2.35 | 9.60 | 9.45 | 2.00 | 9.00 | 10-16                         | LOOSE PIECE | 1-2840573-2 |     |
| 3.10 | 7.80 | 8.00 | 2.00 | 7.00 | 5-8                           | LOOSE PIECE | 1-2840573-1 |     |
| (H)  | (G)  | (F)  | (E)  | (B)  | WIRE RANGE (mm <sup>2</sup> ) | DESCRIPTION | PART NO     | REV |

THIS DRAWING IS A CONTROLLED DOCUMENT.

DWN VISHWA A 26NOV2016  
 CHK A TYLER 26NOV2016  
 APVD W. SAMSAIR 26JUL2018

**STE** TE Connectivity

NAME RECEPTACLE ASSY, 90 DEG. PCON12

APPLICATION SPEC 114-162014

WEIGHT 7.08g

SIZE A2 CAGE CODE 00779 DRAWING NO C-2840573

RESTRICTED TO -

CUSTOMER DRAWING SCALE 4:1 SHEET 1 OF 2 REV A2


1-2840573-2 SHOWN

THIS DRAWING IS UNPUBLISHED. RELEASED FOR PUBLICATION  
 © COPYRIGHT 2017 BY TE CONNECTIVITY CORPORATION ALL RIGHTS RESERVED.

| REVISIONS |     |             |      |      |
|-----------|-----|-------------|------|------|
| P         | LTR | DESCRIPTION | DATE | APVD |
|           |     | SEE SHEET 1 |      |      |
|           |     |             |      |      |
|           |     |             |      |      |
|           |     |             |      |      |

| TOOL SPECIFIC EC (TSE) TABLE  |               |          |                   |           |      |             |              |              |              |                        |
|---|---------------|----------|-------------------|-----------|------|-------------|--------------|--------------|--------------|------------------------|
| (DIMENSIONS MARKED WITH TSE BALOONS HAVE TOOL SPECIFIC TOLERANCES ASSOCIATED WITH THEM) |               |          |                   |           |      |             |              |              |              |                        |
| Dim. ID No.   | EC No.        | Tool No. | Dwg/Cav Spec. No. | Sheet No. | Zone | Design Dim. | Actual Dim.  | Process Min. | Process Max. | Verification Data Loc. |
| ---   | ECR-18-017021 | 152093   | C-2840573         | 1         | C/3  | 7.30 +/-0.1 | 7.18 +/-0.08 | 7.10         | 7.26         | MECH TEST #20180762ACL |

1-2840573-2 SHOWN

|   |  |                             |   |                 |
|---|--|-----------------------------|---|-----------------|
| THIS DRAWING IS A CONTROLLED DOCUMENT.  |  | DWN VISHWA A 26NOV2016      |  TE Connectivity |                 |
|   |  | CHK A TYLER 26NOV2016       |   |                 |
| DIMENSIONS: mm  |  | APVD W. SAMSAIR 26JUL2018   | NAME RECEPTACLE ASSY, 90 DEG. PCON12  |                 |
| TOLERANCES UNLESS OTHERWISE SPECIFIED:<br>0 PLC ±<br>1 PLC ±0.3<br>2 PLC ±0.10<br>3 PLC ±0.010<br>4 PLC ±0.0001<br>ANGLES ± |  | PRODUCT SPEC -              | RESTRICTED TO -   |                 |
| MATERIAL -  |  | APPLICATION SPEC 114-162014 | SIZE A2   | CAGE CODE 00779 |
| FINISH -  |  | WEIGHT 7.08g                | DRAWING NO C-2840573  | SCALE 4:1       |
| NOTED   |  | CUSTOMER DRAWING            | SHEET 2 OF 2  | REV A2          |

## X-ON Electronics

Largest Supplier of Electrical and Electronic Components

*Click to view similar products for [Terminals](#) category:*

*Click to view products by [TE Connectivity](#) manufacturer:*

Other Similar products are found below :

[00-054007-01074-6](#) [00-054007-70206-1](#) [00-054007-70210-8](#) [00-054007-70217-7](#) [00-054007-70226-9](#) [00-054007-70228-3](#) [00-054007-70248-1](#) [00-054007-70256-6](#) [00-054007-70301-3](#) [00-054007-70316-7](#) [0-0320562-0](#) [00-054007-49560-4](#) [00-054007-70209-2](#) [00-054007-70225-2](#) [00-054007-70227-6](#) [00-054007-70231-3](#) [00-054007-70241-2](#) [00-054007-70242-9](#) [00-054007-70244-3](#) [00-054007-70246-7](#) [00-054007-70263-4](#) [00-054007-70288-7](#) [00-054007-70290-0](#) [00-054007-70300-6](#) [00-054007-70304-4](#) [01-2065-1-0216](#) [01-2900-1-04412](#) [00581P0075](#) [600TS-10](#) [60205-1](#) [604200-1](#) [605601-1](#) [60598-1-CUT-TAPE](#) [61314-6-C](#) [61810-3](#) [61-S](#) [61-SN](#) [626-0194](#) [62-NBM-A](#) [62-SN](#) [62-SP](#) [63-S](#) [640179-1](#) [M55155/059I03](#) [M55155/079C01](#) [M55155/099H02](#) [M55155/109H01](#) [M55155/109H02](#) [M55155/12XH05](#) [M55155/16XH02](#)