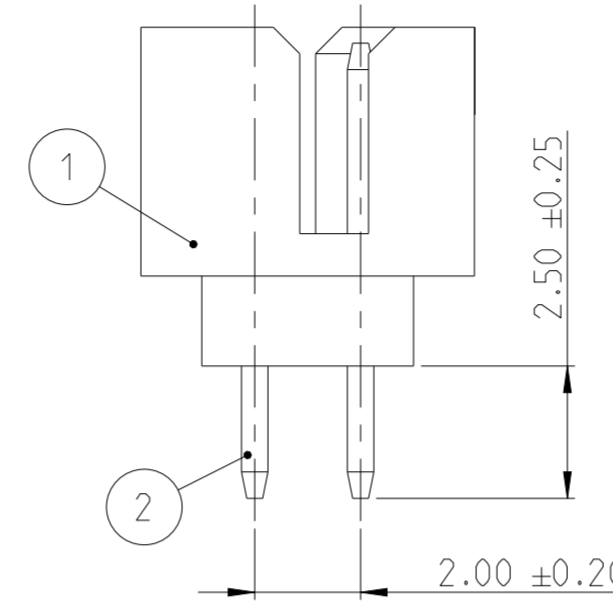
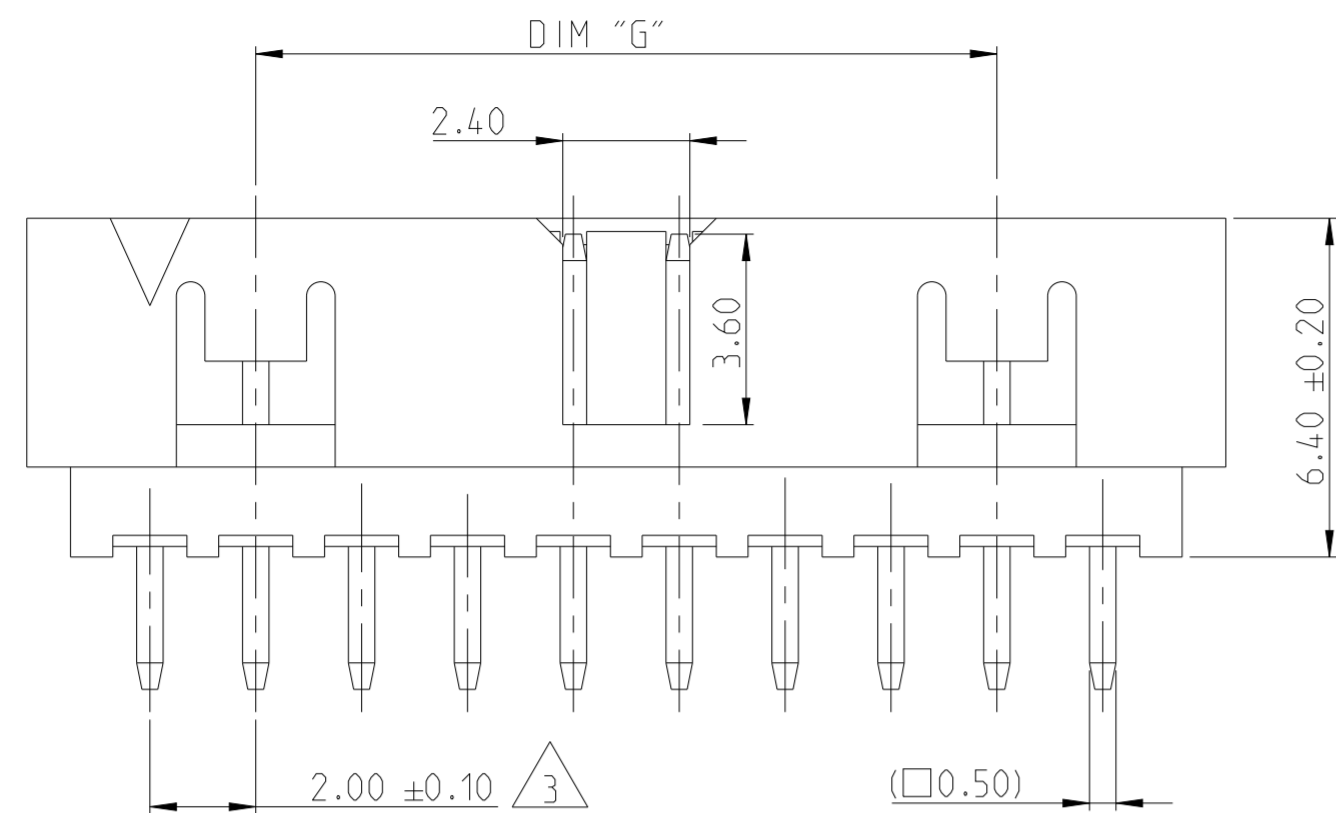
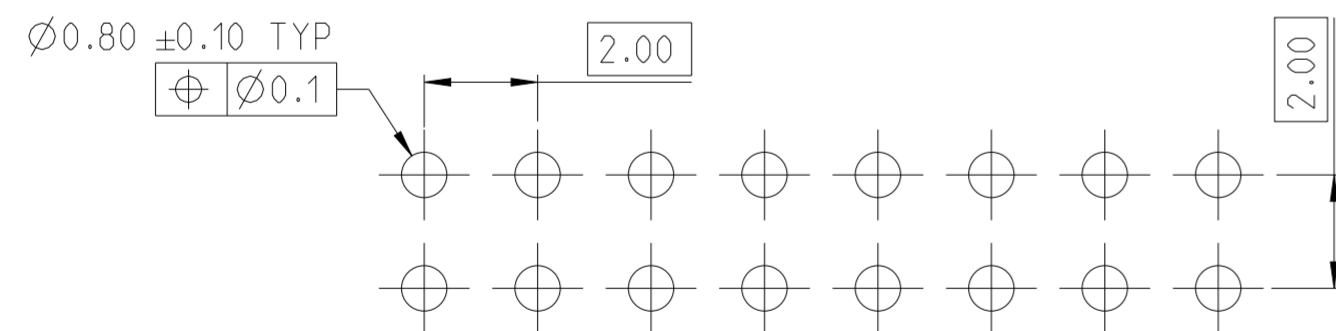
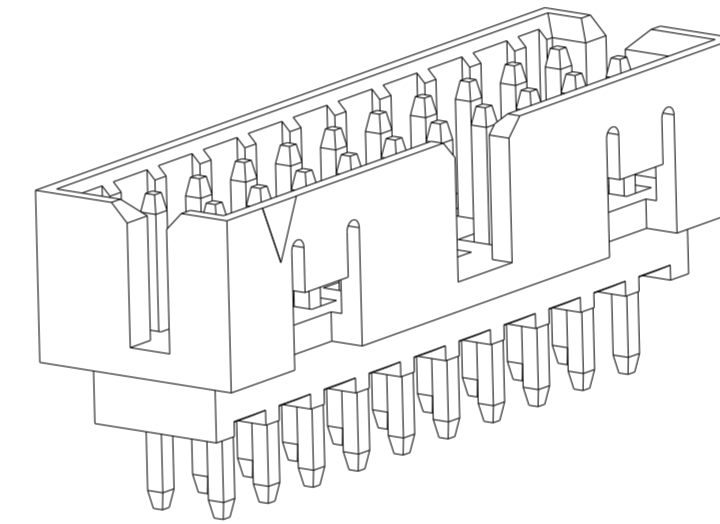
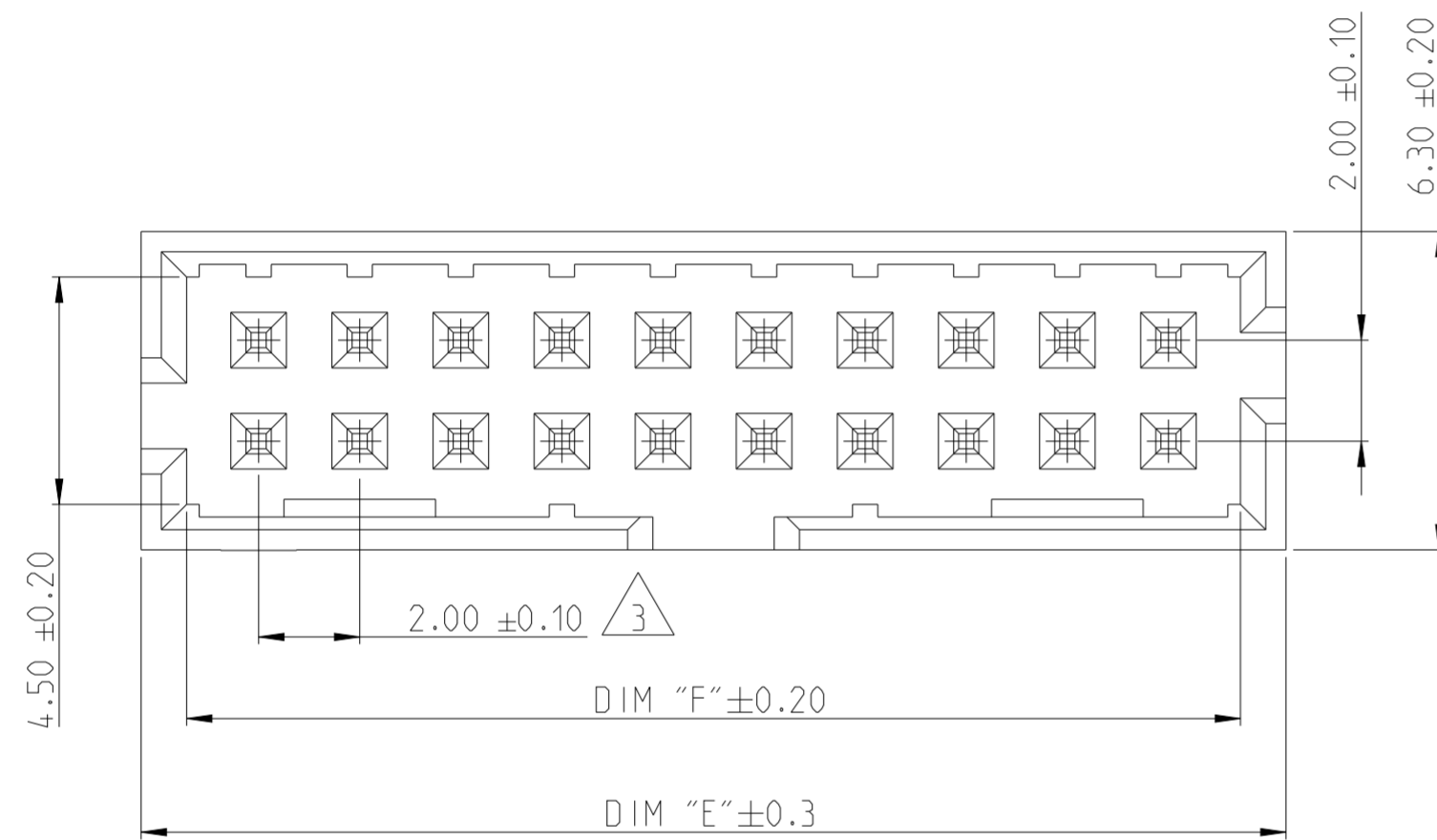


| REVISIONS | | | | |
|-----------|-----|-----------------------|-----------|-------|
| P | LTR | DESCRIPTION | DATE | APVD |
| A | | RELEASE TO PRODUCTION | 09DEC2019 | AY PS |
| A1 | | 18 POSITION ADDED | 13MAY2021 | AY PS |

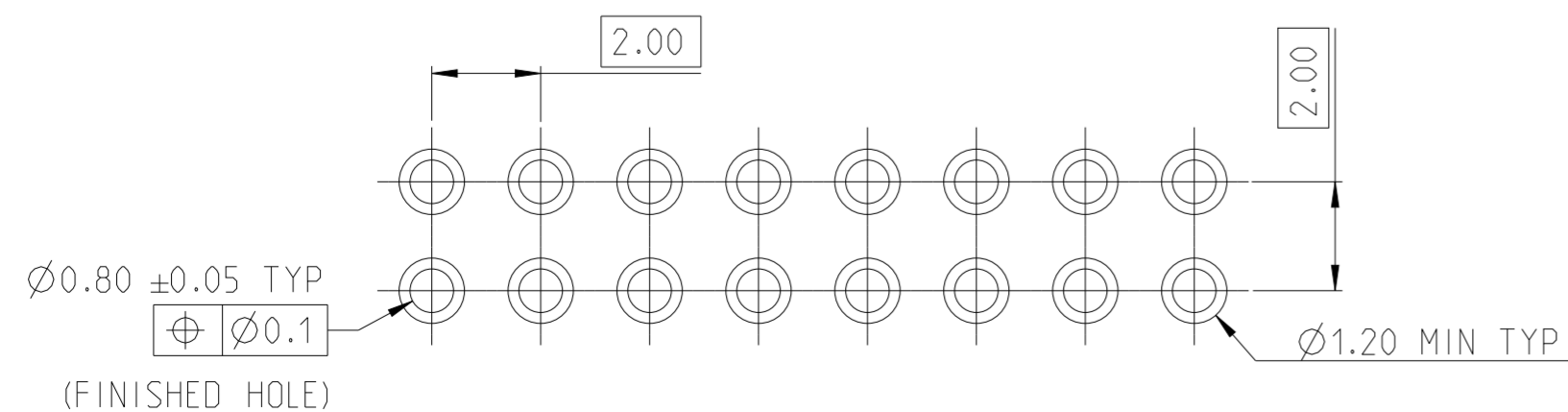


NOTES:

- MATERIAL
HOUSING : HIGH TEMPERATURE THERMOPLASTIC, UL94-V0; COLOR- BLACK
POST : COPPER ALLOY
FINISH :
MATING SIDE: MIN. 0.76 µm GOLD OVER NICKEL UNDER PLATING.
SOLDER SIDE: MIN. 2.0 µm TIN OVER NICKEL UNDER PLATING.
 - PACKAGING: TUBE
- △ TOLERANCE NOT CUMULATIVE.



RECOMMENDED PCB HOLE PATTERN FOR THROUGH HOLE WAVE



RECOMMENDED PCB HOLE PATTERN FOR THROUGH HOLE REFLOW /PIN-IN-PASTE

2-2842238-0 AS SHOWN

| | | | | |
|---------|---------|---------|------|-------------|
| 44 | 50.85 | 52.65 | 50 | 5-2842238-0 |
| 38 | 44.85 | 46.65 | 44 | 4-2842238-4 |
| 34 | 40.85 | 42.65 | 40 | 4-2842238-0 |
| 28 | 34.85 | 36.65 | 34 | 3-2842238-4 |
| 24 | 30.85 | 32.65 | 30 | 3-2842238-0 |
| 20 | 26.85 | 28.65 | 26 | 2-2842238-6 |
| 18 | 24.85 | 26.65 | 24 | 2-2842238-4 |
| 14 | 20.85 | 22.65 | 20 | 2-2842238-0 |
| 12 | 18.85 | 20.65 | 18 | 1-2842238-8 |
| 10 | 16.85 | 18.65 | 16 | 1-2842238-6 |
| 8 | 14.85 | 16.65 | 14 | 1-2842238-4 |
| DIM "G" | DIM "F" | DIM "E" | POS. | TE PN. |

| | |
|-------------|----------|
| CONTACT PIN | 2 |
| HOUSING | 1 |
| DESCRIPTION | ITEM NO. |

| | | |
|--|-------|-----------------------------|
| THIS DRAWING IS A CONTROLLED DOCUMENT. | | DWN ANKIT YADAV 12NOV2019 |
| DIMENSIONS: mm | | CHK KARTHIK JK 25NOV2019 |
| TOLERANCES UNLESS OTHERWISE SPECIFIED: | | APVD PRASHANTH S. 27NOV2019 |
| 0 PLC | ± | PRODUCT SPEC |
| 1 PLC | ± | 108-64040 |
| 2 PLC | ±0.25 | APPLICATION SPEC |
| 3 PLC | ± | 114-32259 |
| 4 PLC | ± | WEIGHT - |
| ANGLES | ±2° | CUSTOMER DRAWING |
| FINISH | - | SCALE 5:1 |
| | | SHEET 1 OF 1 |
| | | REV A1 |

| | | | |
|-----------------|-----------|---|---------------|
| TE Connectivity | | NAME | |
| | | AMPMODU 2mm SHROUDED HEADER, DUAL ROW, VERTICAL TH. 0.76 Au, TUBE | |
| SIZE | CAGE CODE | DRAWING NO | RESTRICTED TO |
| A2 | 00779 | C-2842238 | - |

X-ON Electronics

Largest Supplier of Electrical and Electronic Components

Click to view similar products for [Board to Board & Mezzanine Connectors](#) category:

Click to view products by [TE Connectivity](#) manufacturer:

Other Similar products are found below :

[589158040000018](#) [MDF7C-18P-2.54DSA\(55\)](#) [FCN-230C068-11](#) [FCN-268F012-G/BD](#) [FCN-268F036-G/BD](#) [FCN-268M012-G/0D](#) [FCN-268M024-G/1D](#) [FCN-723J004/1](#) [MIS-048-01-F-D-DP-K](#) [832-10-034-10-001000](#) [FX4C-80S-1.27DSA](#) [FCN-214Q030-G/0](#) [FCN-234P048-G/0](#) [FCN-235D050-G/C](#) [210-93-314-41-105000](#) [2-22603-0](#) [MDF7-40DP-2.54DSA\(55\)](#) [AXG720047](#) [5031084030](#) [MIT-114-03-F-D-K](#) [55323-1519](#) [DF33-2P-3.3DSA\(24\)](#) [YFT-20-05-H-03-SB-K](#) [503308-3040](#) [026-6203-PDB](#) [027-6203-PDB](#) [069159702701000](#) [10123981-102LF](#) [101A10019X](#) [55650-0588-C](#) [68684-306](#) [75140-7012](#) [589159005003045](#) [194261-1](#) [FCN-268F024-G0D](#) [10124054-515LF](#) [68685-603](#) [8-1616154-3](#) [MIS-019-01-F-D](#) [589159005002045](#) [541371078](#) [IL-WX-10PB-HF-B-E1000E](#) [FCN-268M024-G/3D](#) [20021832-06016C1LF](#) [KX15-20KLDL-E1000E](#) [MDF7-16DP-2.54DSA\(55\)](#) [AXE810124](#) [FCN-214J100-G/0](#) [FCN-230C068-E/S](#) [AXE812124](#)