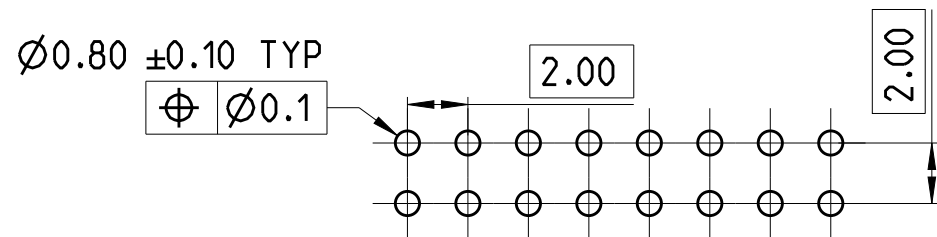
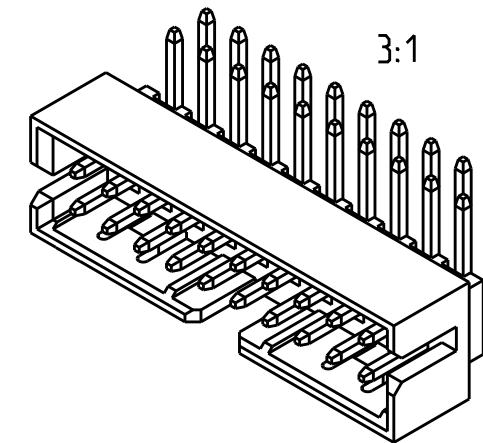
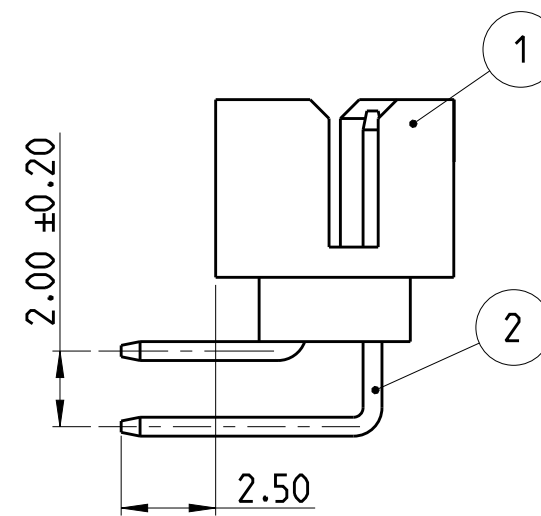
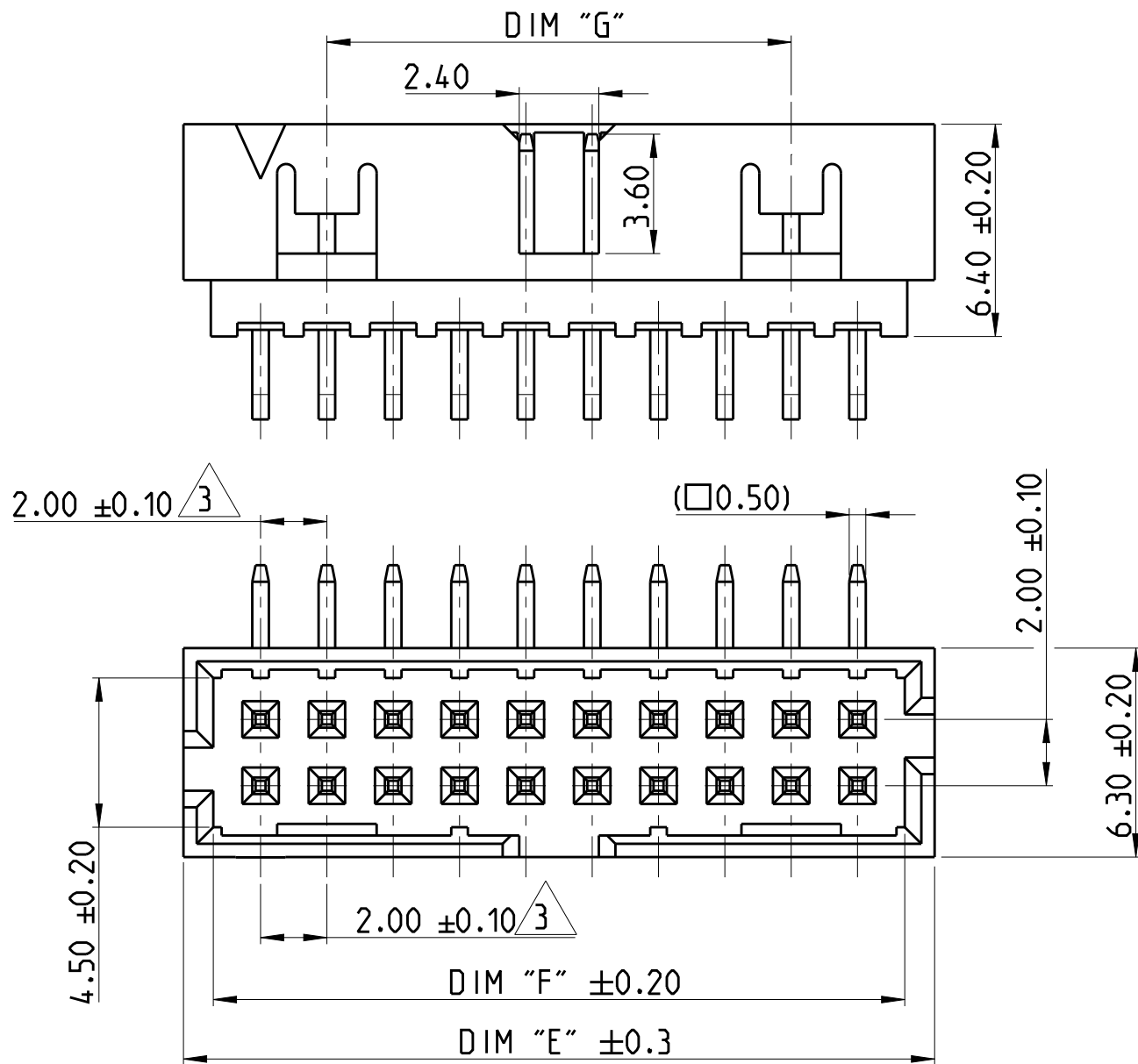


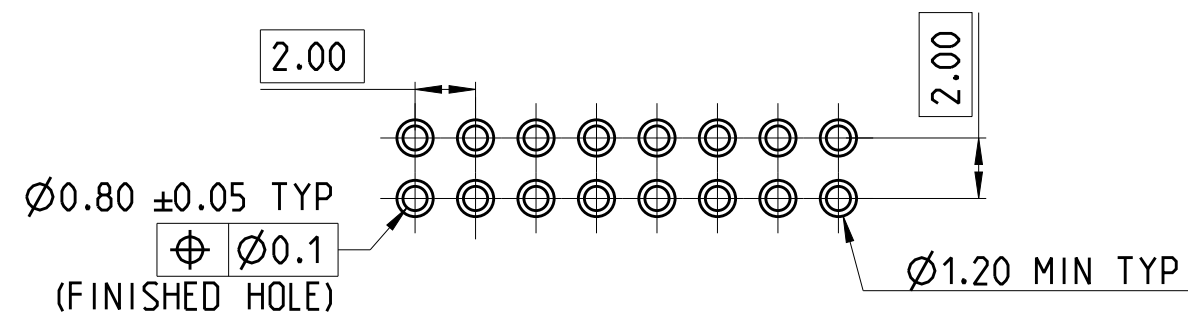
| P | LTR | DESCRIPTION           | DATE      | DWN | APVD |
|---|-----|-----------------------|-----------|-----|------|
| A |     | RELEASE TO PRODUCTION | 29NOV2019 | AY  | PS   |

NOTES:

- MATERIAL  
HOUSING : HIGH TEMPERATURE THERMOPLASTIC, UL94-V0; COLOR- BLACK  
CONTACT PIN : COPPER ALLOY  
FINISH :  
MATING SIDE : MIN. 0.76  $\mu$ m GOLD OVER NICKEL UNDER PLATING.  
SOLDER SIDE : MIN. 2.0  $\mu$ m TIN OVER NICKEL UNDER PLATING.
  - PACKAGING: TUBE.
- $\triangle$  3 TOLERANCE NOT CUMULATIVE.



RECOMMENDED PCB HOLE PATTERN FOR THROUGH HOLE WAVE



RECOMMENDED PCB HOLE PATTERN FOR THROUGH HOLE REFLOW/PIN-IN-PASTE

2-2842250-0 AS SHOWN

| DESCRIPTION | ITEM NO. |
|-------------|----------|
| CONTACT PIN | 2        |
| HOUSING     | 1        |

| DIM "G" | DIM "F" | DIM "E" | POS. | TE PN       |
|---------|---------|---------|------|-------------|
| 44      | 50.85   | 52.65   | 50   | 5-2842250-0 |
| 38      | 44.85   | 46.65   | 44   | 4-2842250-4 |
| 34      | 40.85   | 42.65   | 40   | 4-2842250-0 |
| 28      | 34.85   | 36.65   | 34   | 3-2842250-4 |
| 24      | 30.85   | 32.65   | 30   | 3-2842250-0 |
| 20      | 26.85   | 28.65   | 26   | 2-2842250-6 |
| 18      | 24.85   | 26.65   | 24   | 2-2842250-4 |
| 14      | 20.85   | 22.65   | 20   | 2-2842250-0 |
| 10      | 16.85   | 18.65   | 16   | 1-2842250-6 |
| 8       | 14.85   | 16.65   | 14   | 1-2842250-4 |

THIS DRAWING IS A CONTROLLED DOCUMENT.

|                    |  |  |  |
|--------------------|--|--|--|
| DIMENSIONS:<br>mm  | TOLERANCES UNLESS OTHERWISE SPECIFIED:<br>0 PLC $\pm$<br>1 PLC $\pm$<br>2 PLC $\pm 0.25$<br>3 PLC $\pm$<br>4 PLC $\pm$<br>ANGLES $\pm 2^\circ$ | DWN ANKIT YADAV 9SEP2019<br>CHK KARTHIK JK 12SEP2019<br>APVD PRASHANTH S 13SEP2019<br>PRODUCT SPEC 108-64040<br>APPLICATION SPEC 114-32259<br>WEIGHT - | NAME AMPMODU 2mm SHROUDED HEADER, DUAL ROW, RIGHT ANGLE, 0.76 Au, TUBE |
| MATERIAL SEE NOTES | FINISH SEE NOTES   | CUSTOMER DRAWING   | RESTRICTED TO -  |

TE Connectivity

SIZE A3 CAGE CODE 00779 DRAWING NO C-2842250

SCALE 5:1 SHEET 1 OF 1 REV A

## X-ON Electronics

Largest Supplier of Electrical and Electronic Components

*Click to view similar products for [Board to Board & Mezzanine Connectors](#) category:*

*Click to view products by [TE Connectivity](#) manufacturer:*

Other Similar products are found below :

[589158040000018](#) [MDF7C-18P-2.54DSA\(55\)](#) [FCN-230C068-11](#) [FCN-268F012-G/BD](#) [FCN-268F036-G/BD](#) [FCN-268M012-G/0D](#) [FCN-268M024-G/1D](#) [FCN-723J004/1](#) [MIS-048-01-F-D-DP-K](#) [832-10-034-10-001000](#) [FX4C-80S-1.27DSA](#) [FCN-214Q030-G/0](#) [FCN-234P048-G/0](#) [FCN-235D050-G/C](#) [210-93-314-41-105000](#) [2-22603-0](#) [MDF7-40DP-2.54DSA\(55\)](#) [AXG720047](#) [5031084030](#) [MIT-114-03-F-D-K](#) [55323-1519](#) [DF33-2P-3.3DSA\(24\)](#) [YFT-20-05-H-03-SB-K](#) [503308-3040](#) [026-6203-PDB](#) [027-6203-PDB](#) [069159702701000](#) [10123981-102LF](#) [101A10019X](#) [55650-0588-C](#) [68682-310LF](#) [68684-306](#) [75140-7012](#) [87471-650](#) [194261-1](#) [FCN-268F024-G0D](#) [10124054-515LF](#) [68685-603](#) [8-1616154-3](#) [MIS-019-01-F-D](#) [FCN-268M024-G/3D](#) [20021832-06016C1LF](#) [KX15-20KLDL-E1000E](#) [MDF7-16DP-2.54DSA\(55\)](#) [AXE810124](#) [FCN-214J100-G/0](#) [FCN-230C068-E/S](#) [AXE812124](#) [AXE816124](#) [AXE720127](#)