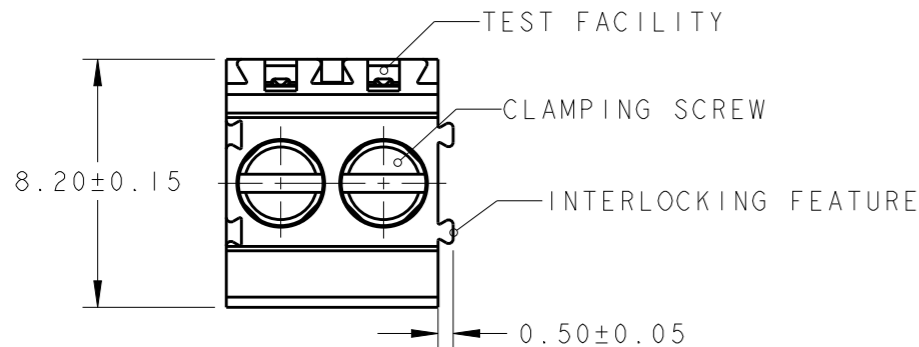


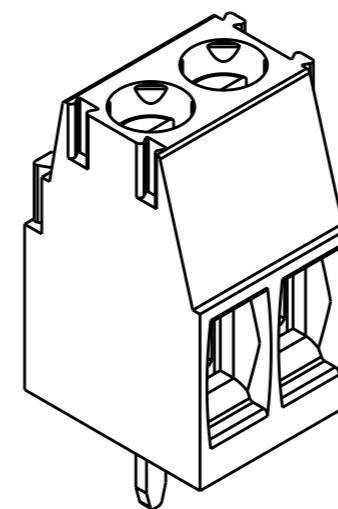
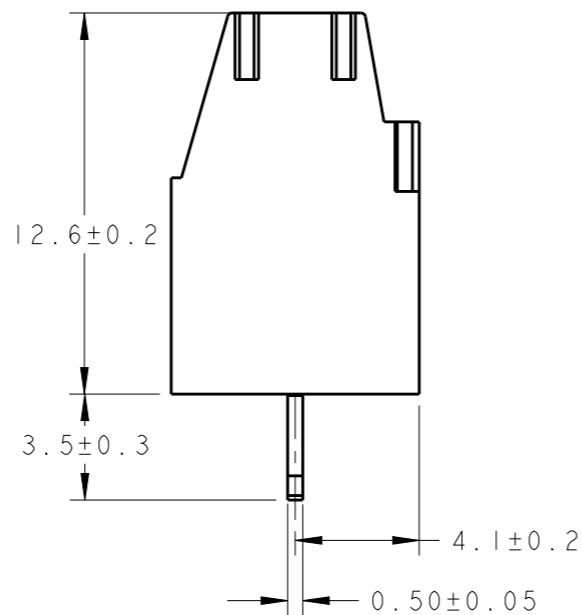
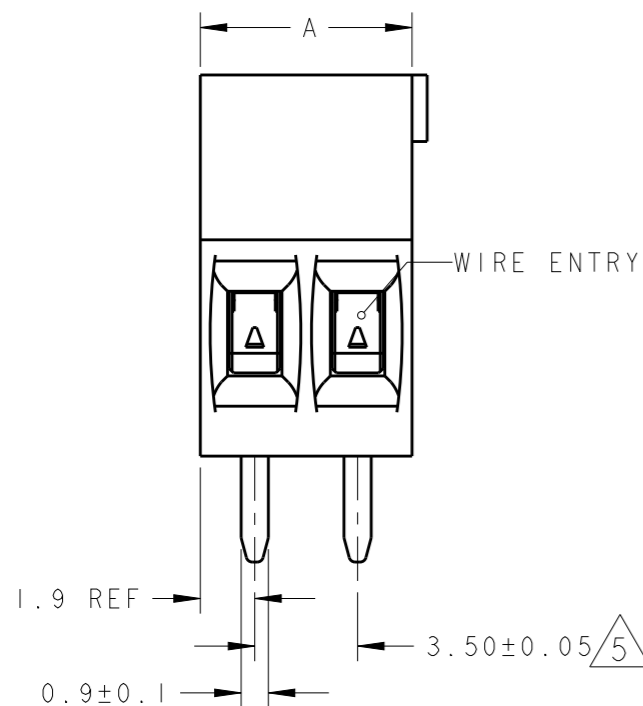
THIS DRAWING IS UNPUBLISHED. RELEASED FOR PUBLICATION 20
 © COPYRIGHT 20 BY - ALL RIGHTS RESERVED.

LOC	DIST	REVISIONS			
P	LTR	DESCRIPTION	DATE	DWN	APVD
	B4	REVISED PER ECO-11-005027	15MAR2011	RK	HMR
	C	PACKAGING CHANGE FROM BOX TO TRAY	08SEP2017	FP	FP



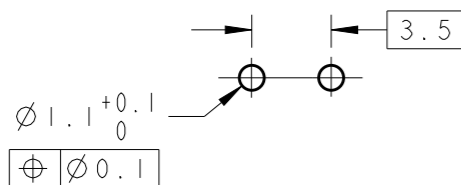
- 1 MATERIALS AND FINISH
 HOUSING : PA 6.6, UL 94-V0, COLOR GREEN.
 CLAMP : BRASS, NICKEL PLATED
 TERMINAL : BRASS, TIN PLATED
 CLAMPING SCREW : M3, BRASS, NICKEL PLATED
- 2. SUITABLE FOR 1.6-2.4 mm. PC BOARD THICKNESS.
- 3. END-TO-END STACKABLE W/INTERLOCK WITHOUT LOSS OF CENTERLINE SPACING
- 4. WIRE SIZE RANGE: 14 - 30 AWG
- 5 NOT CUMULATIVE TOLERANCE
- 6 CAGE CLAMPS TO BE IN THE CLOSED POSITION.

6	14.0	4	2-284391-8
6	10.5	3	2-284391-7
6	7.0	2	2-284391-6
	87.5	25	2-284391-5
	84.0	24	2-284391-4
	80.5	23	2-284391-3
	77.0	22	2-284391-2
	73.5	21	2-284391-1
	70.0	20	2-284391-0
	66.5	19	1-284391-9
	63.0	18	1-284391-8
	59.5	17	1-284391-7
	56.0	16	1-284391-6
	52.5	15	1-284391-5
	49.0	14	1-284391-4
	45.5	13	1-284391-3
	42.0	12	1-284391-2
	38.5	11	1-284391-1
	35.0	10	1-284391-0
	31.5	9	284391-9
	28.0	8	284391-8
	24.5	7	284391-7
	21.0	6	284391-6
	17.5	5	284391-5
	14.0	4	284391-4
	10.5	3	284391-3
	7.0	2	284391-2
	DIM "A"	NO OF POS.	PART NUMBER



284391-2 AS SHOWN

RECOMMENDED PC BOARD LAYOUT



THIS DRAWING IS A CONTROLLED DOCUMENT.		DWN E. ZANOLINI 01FEB2002	TE Connectivity			
DIMENSIONS: mm		CHK E. ZANOLINI 01FEB2002				
TOLERANCES UNLESS OTHERWISE SPECIFIED:		APVD D. BIEVENOUR 01FEB2002	NAME TERMINAL BLOCK PCB, MOUNT STRAIGHT SIDE WIRE ENTRY, STACKING W/ INTERLOCK, 3.5mm PITCH			
0 PLC ±- 1 PLC ±.3 2 PLC ±.25 3 PLC ±- 4 PLC ±- ANGLES ±2		PRODUCT SPEC 108-20166				
MATERIAL		APPLICATION SPEC 114-20079	SIZE A3	CAGE CODE 00779	DRAWING NO C-284391	RESTRICTED TO -
FINISH		WEIGHT -	SCALE 4:1		SHEET 1 OF 1	REV C
CUSTOMER DRAWING						

X-ON Electronics

Largest Supplier of Electrical and Electronic Components

Click to view similar products for [Fixed Terminal Blocks](#) category:

Click to view products by [TE Connectivity](#) manufacturer:

Other Similar products are found below :

[MBE-1512](#) [MBE-154](#) [MBE-156](#) [MBES-153](#) [MBES-156](#) [MH-2512](#) [MHE-132](#) [MHE-163](#) [MI-254 \(35\)](#) [MI-272](#) [880507](#) [MPT-275](#)
[15602-04-08-21](#) [BA311TU](#) [BA411SU](#) [MV-152](#) [MV-252-D](#) [MV-253/NCNOC](#) [MV-254-D](#) [MV-255](#) [MV-462](#) [MV-493](#) [MVE-252](#) [MVE-253](#)
[MVE-273](#) [MVEB-153](#) [1700096](#) [1705142](#) [1712417](#) [1713020](#) [1713088](#) [1745195](#) [1760594](#) [1776118-2](#) [1790852](#) [1-796689-8](#) [1-796692-6](#)
[1800001](#) [1800114](#) [1995279](#) [20020314-C121B01LF](#) [20020316-G041B01LF](#) [CB2-12](#) [KP03215000J0G](#) [KP04215000J0G](#) [S451](#) [282802-2](#)
[29.007](#) [29.116](#) [30.103](#)