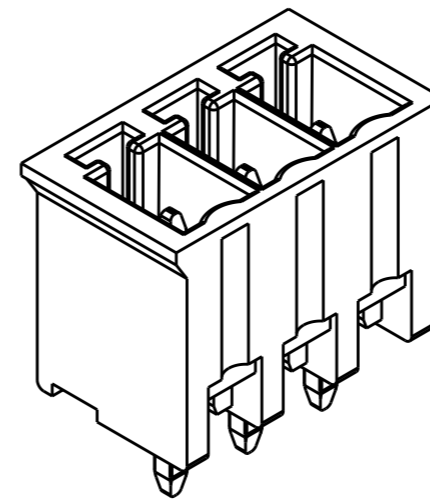
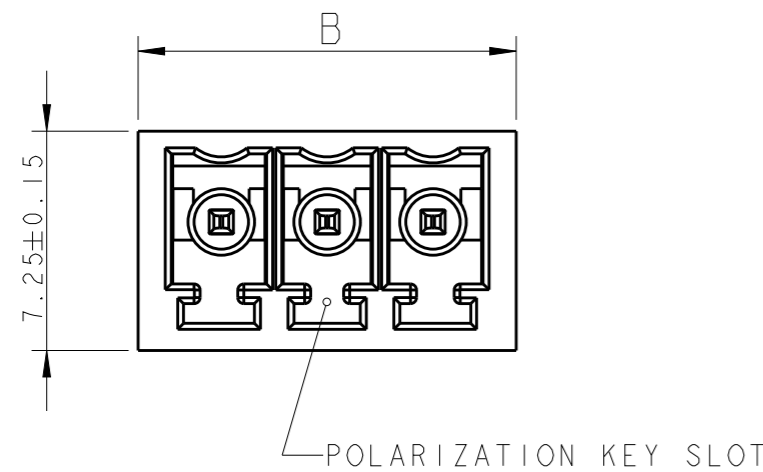
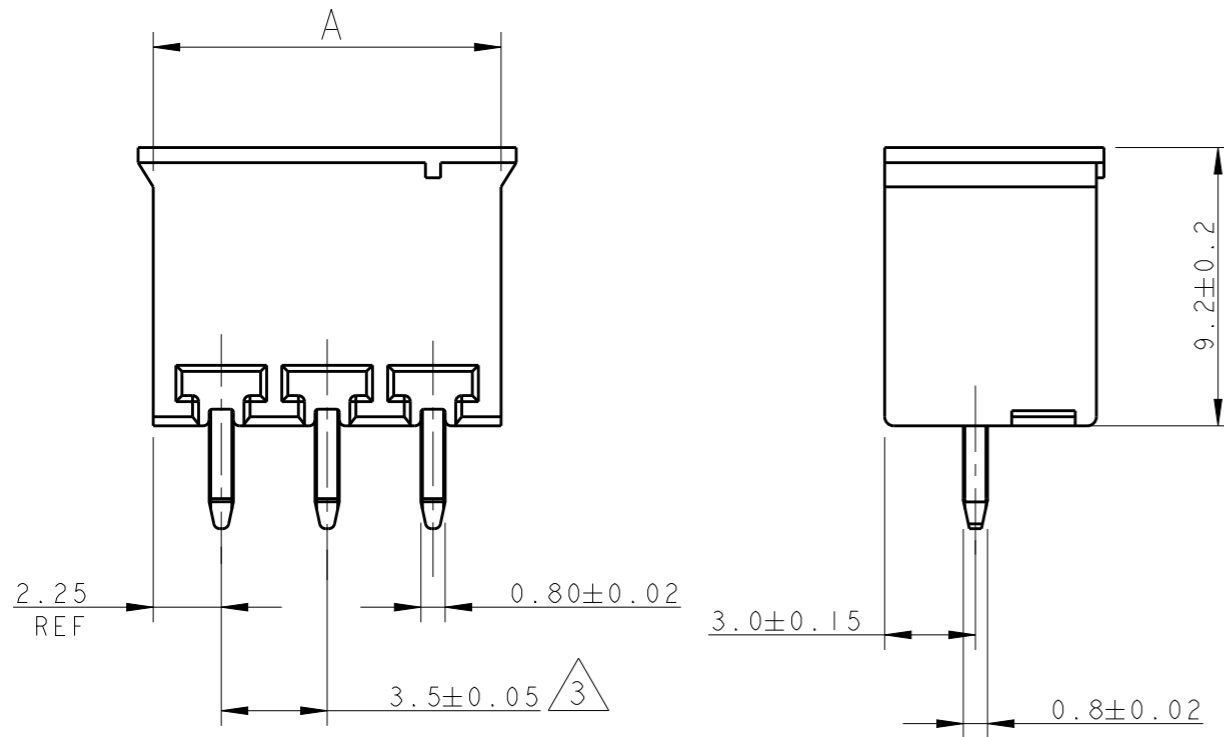


P	LTR	DESCRIPTION	DATE	DWN	APVD
	C4	2-284514-6 IS OBSOLETE	28MAY2020	SS	PS

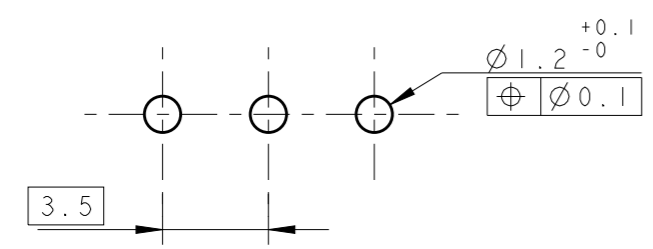


284514-3 AS SHOWN



- 1 MATERIALS AND FINISH
HOUSING : PA 6.6, UL 94-V0, COLOR GREEN
TERMINAL : PHOSPHOR BRONZE, SEE TABLE
- 2 SUITABLE FOR 1.6-2.4 mm. PC BOARD THICKNESS
- 3 NOT CUMULATIVE TOLERANCE
- 4 PRELIMINARY PART NUMBER

PLATING	B	A	NO OF POSN	PART NUMBER		
OBSOLETE	4	AU FL	26.5	25.5	7	2-284514-6
TIN			89.5	88.5	25	2-284514-5
TIN			86.0	85.0	24	2-284514-4
TIN			82.5	81.5	23	2-284514-3
TIN			79.0	78.0	22	2-284514-2
TIN			75.5	74.5	21	2-284514-1
TIN			72.0	71.0	20	2-284514-0
TIN			68.5	67.5	19	1-284514-9
TIN			65.0	64.0	18	1-284514-8
TIN			61.5	60.5	17	1-284514-7
TIN			58.0	57.0	16	1-284514-6
TIN			54.5	53.5	15	1-284514-5
TIN			51.0	50.0	14	1-284514-4
TIN			47.5	46.5	13	1-284514-3
TIN			44.0	43.0	12	1-284514-2
TIN			40.5	39.5	11	1-284514-1
TIN			37.0	36.0	10	1-284514-0
TIN			33.5	32.5	9	284514-9
TIN			30.0	29.0	8	284514-8
TIN			26.5	25.5	7	284514-7
TIN			23.0	22.0	6	284514-6
TIN			19.5	18.5	5	284514-5
TIN			16.0	15.0	4	284514-4
TIN			12.5	11.5	3	284514-3
TIN			9.0	8.0	2	284514-2



RECOMMENDED PC BOARD LAYOUT

THIS DRAWING IS A CONTROLLED DOCUMENT.		DWN 06FEB2002 E. ZANOLINI	TE Connectivity	
DIMENSIONS: mm		CHK 06FEB2002 E. ZANOLINI		
TOLERANCES UNLESS OTHERWISE SPECIFIED:		APVD 06FEB2002 D. BIEVENOUR	NAME TERMINAL BLOCK, HEADER ASSEMBLY STRAIGHT, CLOSED ENDS 3.5mm PITCH	
0 PLC ±-		PRODUCT SPEC 108-20166	SIZE CAGE CODE DRAWING NO RESTRICTED TO	
1 PLC ±.3		APPLICATION SPEC 114-20079	A300779 C-284514	
2 PLC ±.25		WEIGHT -	SCALE 4:1 SHEET 1 OF 1 REV C4	
3 PLC ±-		CUSTOMER DRAWING		
4 PLC ±-				
ANGLES ±2				
MATERIAL 1				
FINISH 1				

X-ON Electronics

Largest Supplier of Electrical and Electronic Components

Click to view similar products for [Pluggable Terminal Blocks](#) category:

Click to view products by [TE Connectivity](#) manufacturer:

Other Similar products are found below :

[57.510.0053](#) [MC 1.5/ 6-ST-3.5 GY AU](#) [734-104](#) [734-302](#) [8-141-P](#) [8426620000](#) [860505](#) [860516](#) [860810](#) [GBPACX-12](#) [93.731.4953.0](#) [PV05-5,08-K](#) [PVP02-5,00](#) [PVP03-3,50](#) [PVP04-3,50](#) [PVS02-5,00](#) [1-1986160-3](#) [1377680000](#) [1531000000](#) [1546228-5](#) [ELFH16150](#) [ELFP03110](#) [ELFP10210](#) [ELFT06250](#) [ELVP03100](#) [1700101](#) [1700410](#) [1700425](#) [1702246](#) [1705229](#) [1710175](#) [1714537](#) [1717806](#) [1719600](#) [1728941](#) [1734692](#) [1734795](#) [1736036](#) [1740194](#) [1740291](#) [1740628](#) [1740990](#) [1746952](#) [1750207](#) [1752441](#) [1752865](#) [1754115](#) [1754144](#) [1756913](#) [1760051](#)