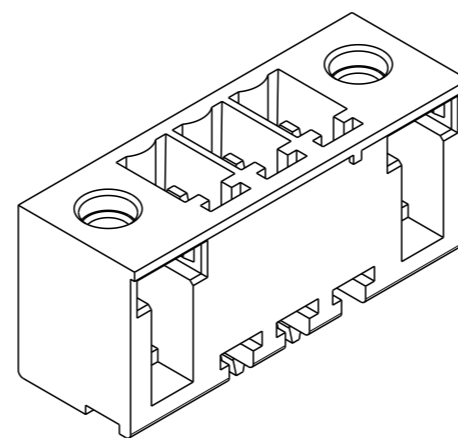
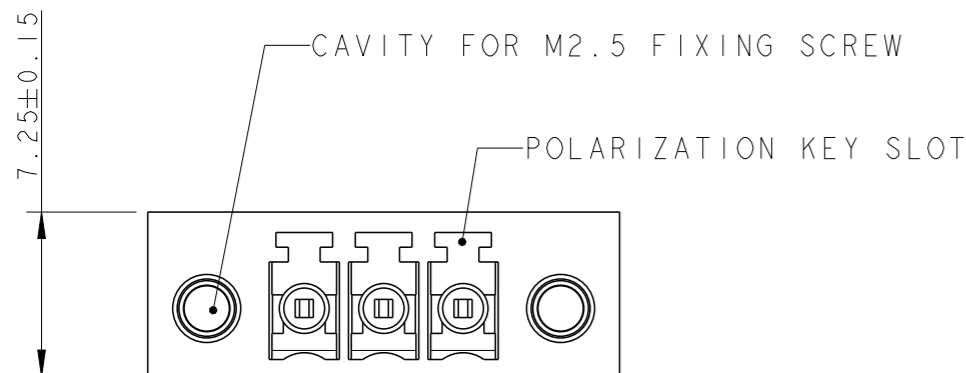
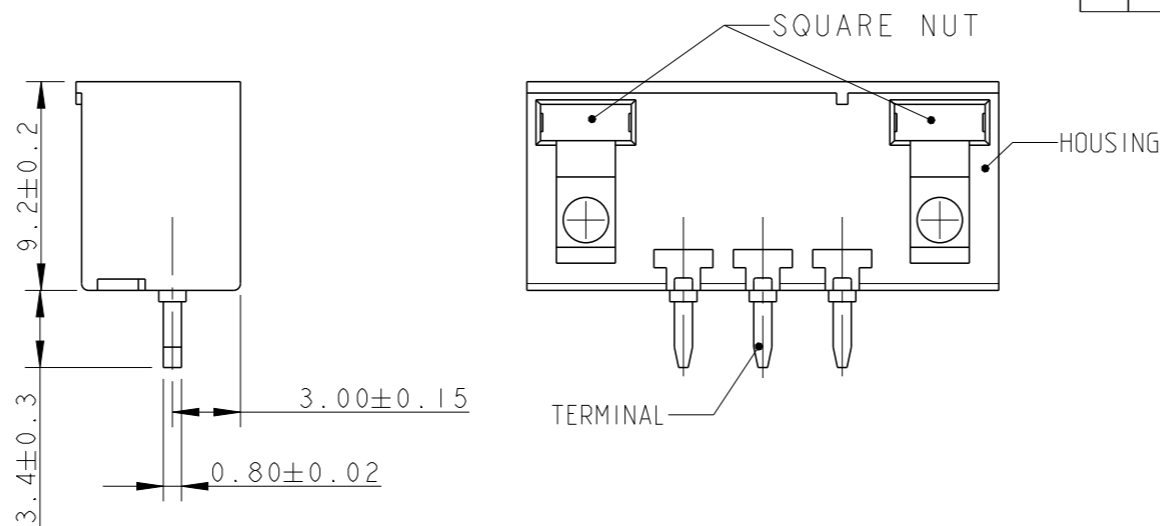
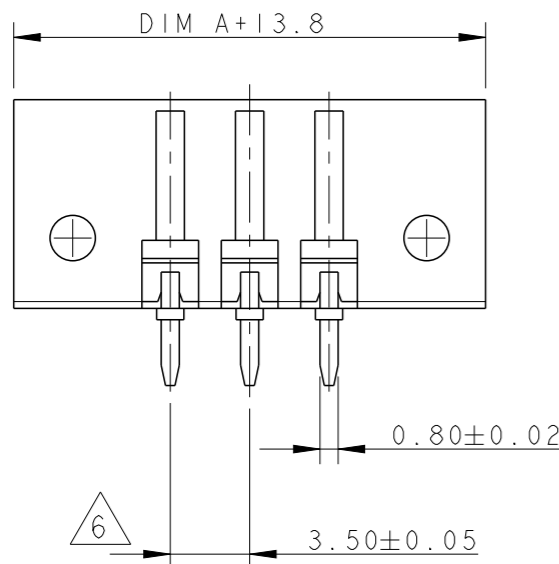


THIS DRAWING IS UNPUBLISHED. RELEASED FOR PUBLICATION 20  
 © COPYRIGHT 20 BY - ALL RIGHTS RESERVED.

REVISIONS

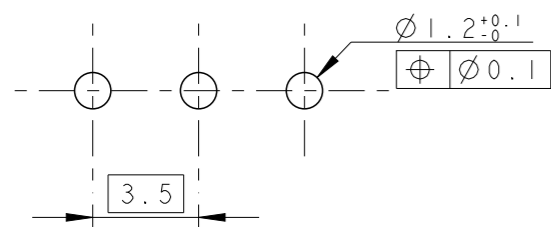
P	LTR	DESCRIPTION	DATE	DWN	APVD
	B2	SQUARE NUT PART INFORMATION ADDED	11MAY2018	RK	PS




284516-3 AS SHOWN

OBSOLETE	77.0	23	<del>2-284516-3</del>
	73.5	22	<del>2-284516-2</del>
	70.0	21	<del>2-284516-1</del>
	66.5	20	<del>2-284516-0</del>
	63.0	19	<del>1-284516-9</del>
OBSOLETE	59.5	18	<del>1-284516-8</del>
	56.0	17	<del>1-284516-7</del>
	52.5	16	<del>1-284516-6</del>
	49.0	15	<del>1-284516-5</del>
	45.5	14	<del>1-284516-4</del>
	42.0	13	<del>1-284516-3</del>
	38.5	12	<del>1-284516-2</del>
	35.0	11	<del>1-284516-1</del>
	31.5	10	<del>1-284516-0</del>
	28.0	9	284516-9
	24.5	8	284516-8
	21.0	7	284516-7
17.5	6	284516-6	
14.0	5	284516-5	
10.5	4	284516-4	
7.0	3	284516-3	
3.5	2	284516-2	
DIM A	NO OF POS	PART NUMBER	

RECOMMENDED PC BOARD LAYOUT



THIS DRAWING IS A CONTROLLED DOCUMENT.		DWN 06FEB2002 EZ	 TE Connectivity
DIMENSIONS: mm		CHK 06FEB2002 E. ZANOLINI	
TOLERANCES UNLESS OTHERWISE SPECIFIED:		APVD 06FEB2002 D. BIEVENOUR	
0 PLC ±- 1 PLC ±0.3 2 PLC ±0.25 3 PLC ±- 4 PLC ±- ANGLES ±2		NAME TERMINAL BLOCK, HEADER ASSEMBLY STRAIGHT, 3.5mm PITCH WITH THREADED FLANGE	
MATERIAL SEE NOTES	FINISH SEE NOTES	PRODUCT SPEC	RESTRICTED TO
WEIGHT -		APPLICATION SPEC	SIZE A300779
CUSTOMER DRAWING		SCALE 3:1	CAGE CODE C-284516
		SHEET 1 OF 2	REV B2

THIS DRAWING IS UNPUBLISHED.

RELEASED FOR PUBLICATION

20

© COPYRIGHT 20 BY -

ALL RIGHTS RESERVED.

REVISIONS

P	LTR	DESCRIPTION	DATE	DWN	APVD
-		SEE SHEET 1	-	-	-

NOTES:

- MATERIALS AND FINISH  
HOUSING : PA 6.6, UL 94-V0, COLOR GREEN  
TERMINAL : PHOSPHOR BRONZE, TIN PLATED  
SQUARE NUT : BRASS, NICKEL PLATED.
- MECHANICAL  
MAX. INSERTION FORCE PER POLE : 3.0 N  
MIN. WITHDRAWAL FORCE PER POLE : 1.5 N  
MIN. PC BOARD HOLES DIAMETER : 1.2 mm  
MAX. PC BOARD THICKNESS : 2.4 mm
- ELECTRICAL  
WIRE RANGE : 14-30 AWG  
MAX. VOLTAGE : 300 V  
MAX CURRENT : 11 A  
CONTACT RESISTANCE : <15 m Ohm  
INSULATION RESISTANCE : >1000 M Ohm (500V DC)
- OPERATING TEMPERATURE RANGE: -40°C TO +110°C
- CONNECTOR ASSEMBLY INCLUDED 2 SQUARE NUTS  
LOADED IN CAVITY

△ 6 NOT CUMULATIVE TOLERANCE

THIS DRAWING IS A CONTROLLED DOCUMENT.

DWN 06FEB2002

EZ

CHK 06FEB2002

E. ZANOLINI

APVD 06FEB2002

D. BIEVENOUR

PRODUCT SPEC

APPLICATION SPEC

WEIGHT -

CUSTOMER DRAWING



TE Connectivity

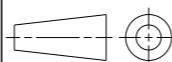
NAME  
TERMINAL BLOCK, HEADER ASSEMBLY  
STRAIGHT, 3.5mm PITCH  
WITH THREADED FLANGE

SIZE CAGE CODE DRAWING NO RESTRICTED TO

A300779 C-284516

SCALE 3:1 SHEET 2 OF 2 REV B2

DIMENSIONS:  
mm



TOLERANCES UNLESS OTHERWISE SPECIFIED:

- 0 PLC ±-
- 1 PLC ±0.3
- 2 PLC ±0.25
- 3 PLC ±-
- 4 PLC ±-
- ANGLES ±2

MATERIAL  
SEE NOTES

FINISH  
SEE NOTES

## X-ON Electronics

Largest Supplier of Electrical and Electronic Components

*Click to view similar products for [Pluggable Terminal Blocks](#) category:*

*Click to view products by [TE Connectivity](#) manufacturer:*

Other Similar products are found below :

[57.510.0053](#) [MC 1.5/ 6-ST-3.5 GY AU](#) [ET02015000J0G](#) [734-104](#) [734-302](#) [8-141-P](#) [8426620000](#) [860505](#) [860516](#) [860810](#) [GBPACX-12](#)  
[93.731.4953.0](#) [PV05-5,08-K](#) [PVP03-3,50](#) [PVP04-3,50](#) [PVS02-5,00](#) [1-1986160-3](#) [1377680000](#) [1531000000](#) [1546228-5](#) [ELFH16150](#)  
[ELFP03110](#) [ELFP10210](#) [ELFT06250](#) [ELVP03100](#) [1700101](#) [1700410](#) [1700425](#) [1702246](#) [1705229](#) [1710175](#) [1714537](#) [1717806](#) [1719600](#)  
[1728941](#) [1734692](#) [1734795](#) [1736036](#) [1740194](#) [1740628](#) [1740990](#) [1746952](#) [1750207](#) [1752441](#) [1752865](#) [1754115](#) [1754144](#) [1756913](#)  
[1760051](#) [1760336](#)