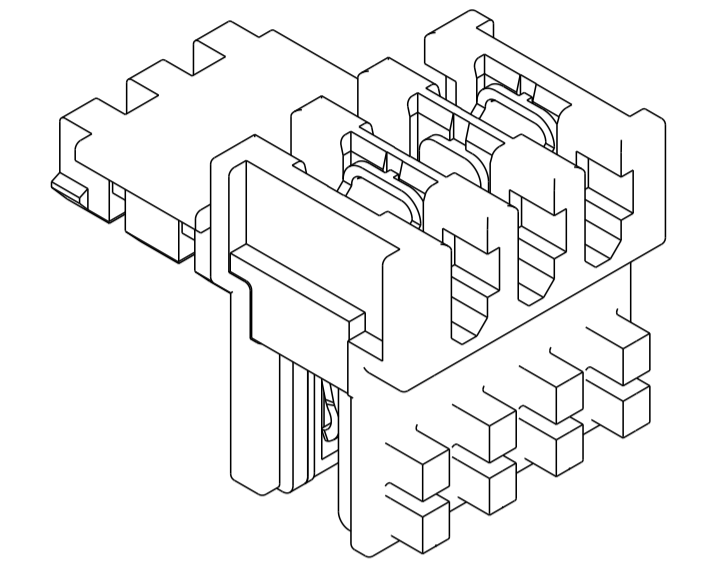
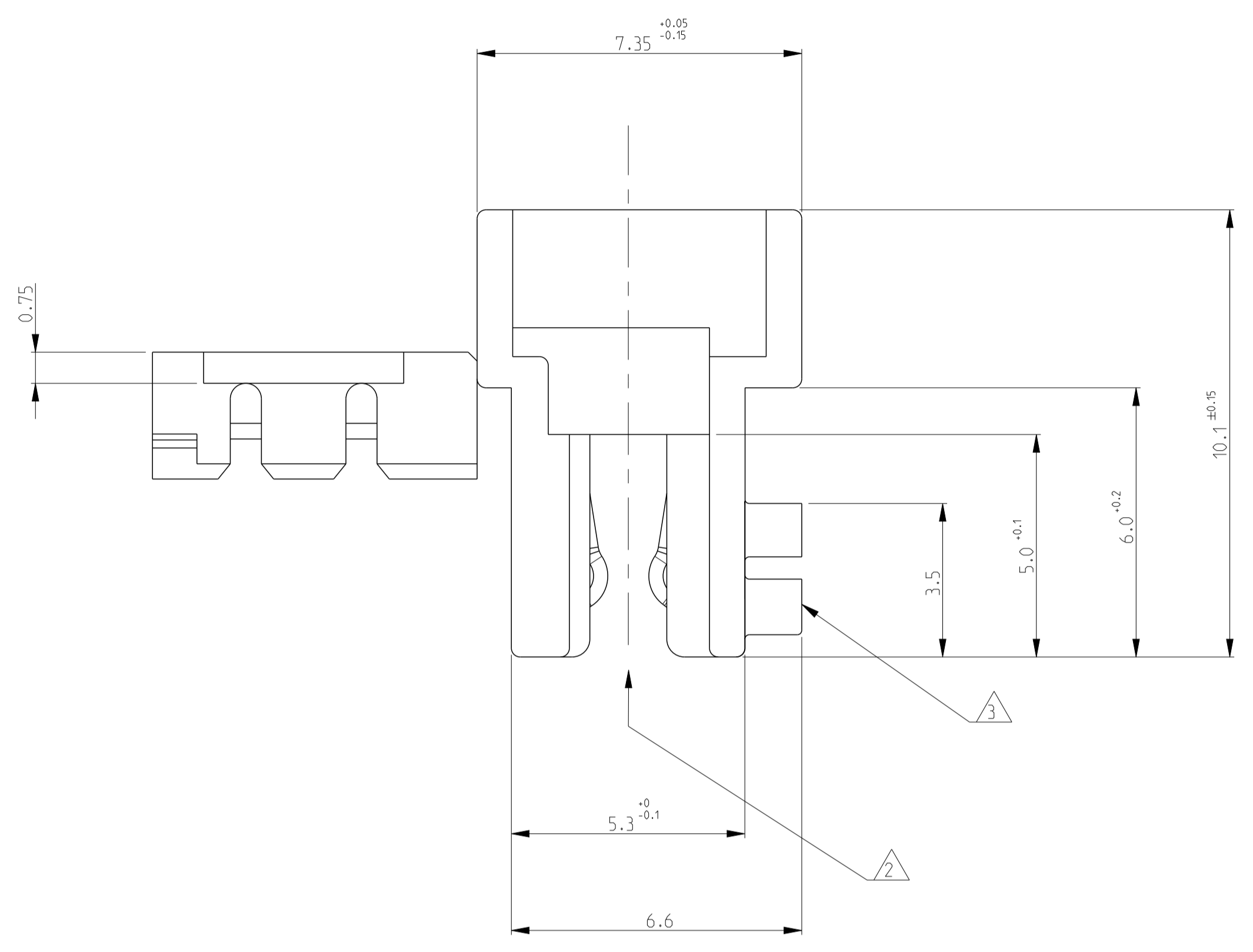
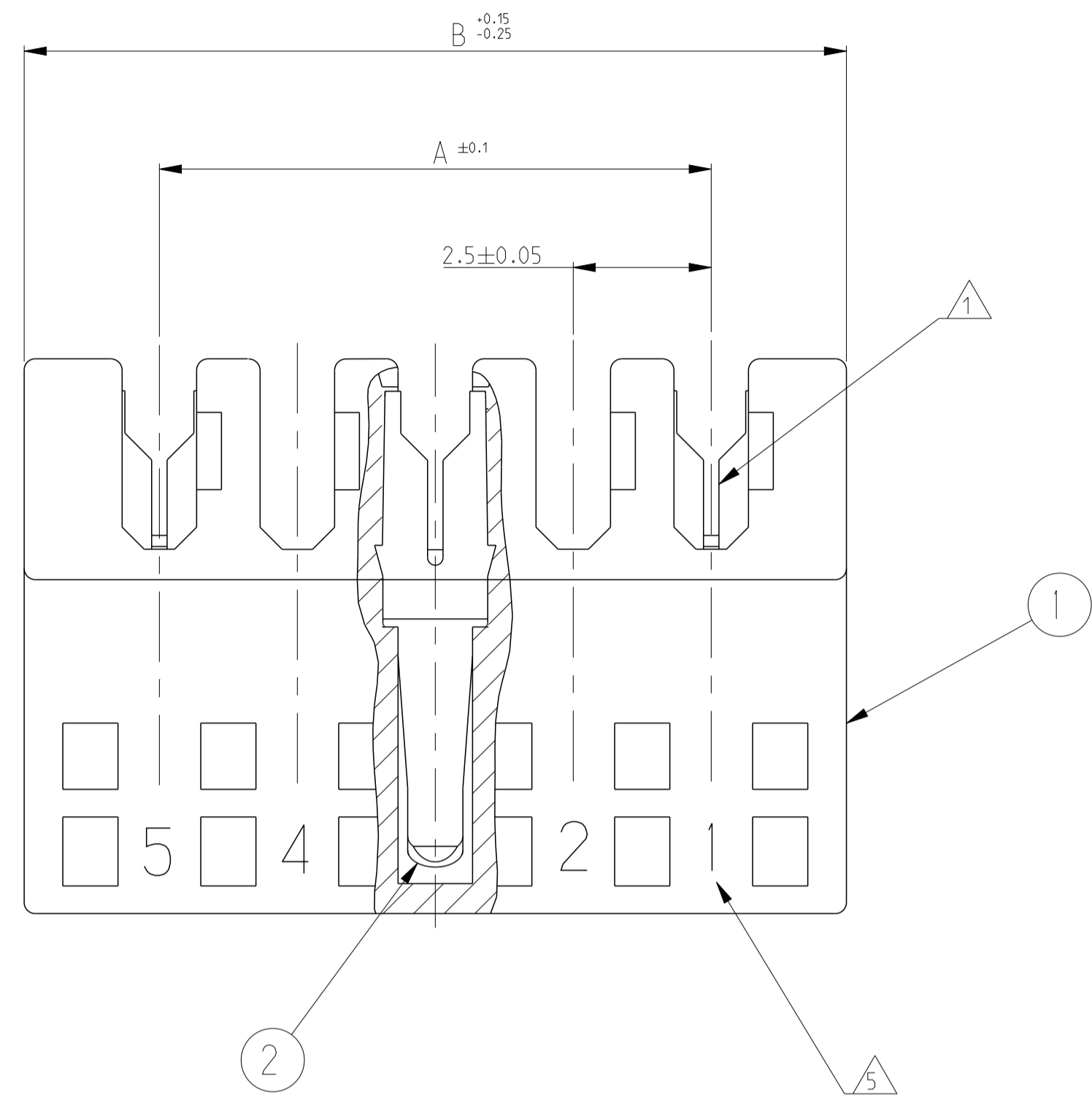
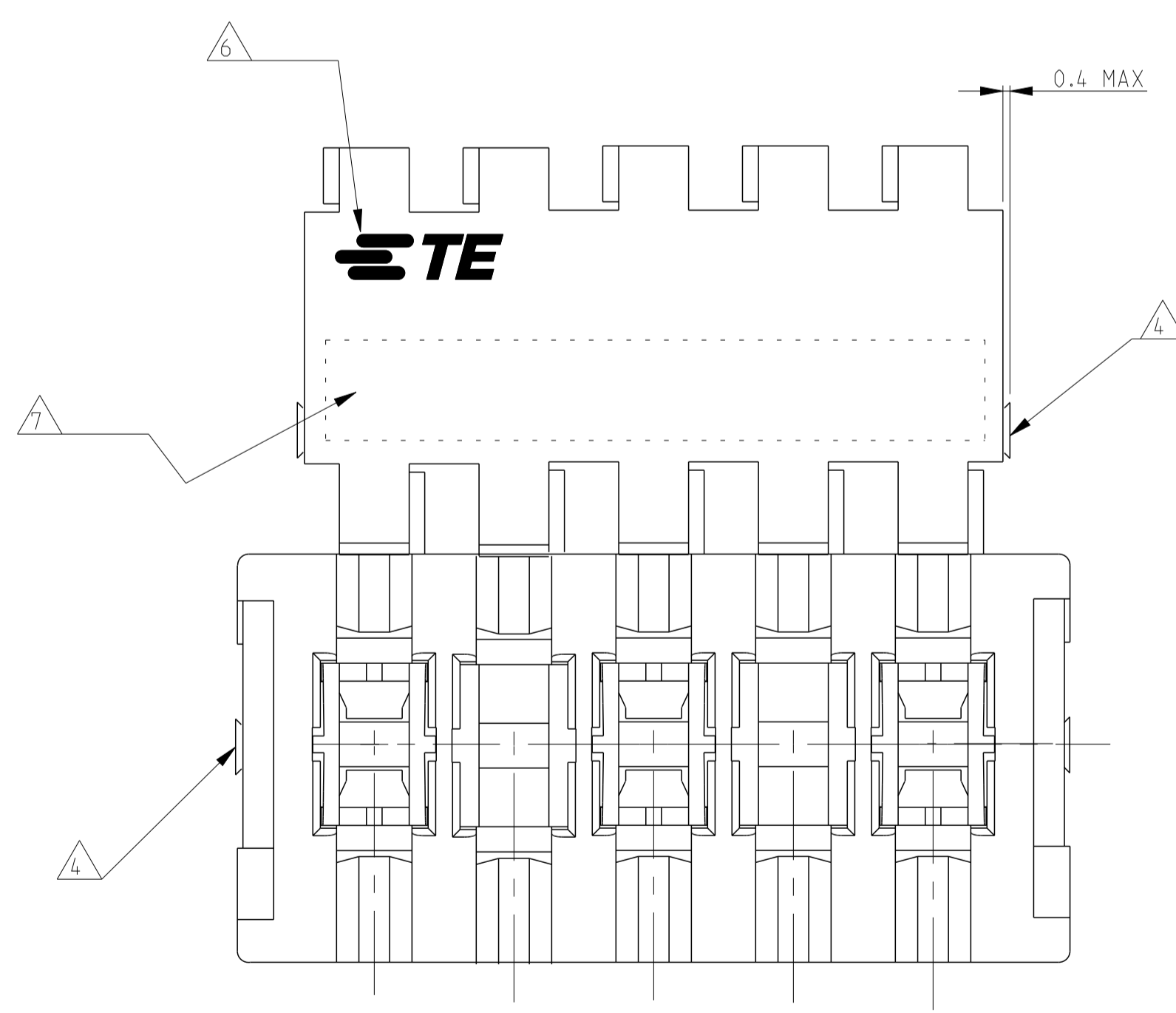


LOC		DIST		REVISIONS			
P	LTN	DESCRIPTION	DATE	DMN	APVD		
A18	ECR-16-003426		07Apr2016	SL	RR		
A19	ECR-16-003755		24MAY2016	KD	RR		
A20	ECR-16-016334		18NOV2016	FV	RR		
A21	ECR-17-009651		19JUL2017	RS	DC		



3D VIEW FOR REF. ONLY  
 3 POS. PN 0-284931-3 AS SHOWN  
 SCALE 5:1



- ① WIRE RANGE : STRANDED 0.22-0.35 mm $\varnothing$  (INS. DIA. 1.30±0.1)
- ② MATING PART: TAB HEADER P/N 829866;  
PCB FRAME P/N 964575 (PCB THK 1.5±0.14 COPPER CLADDING INCLUDED)  
SEE PRODUCT SPEC. 108-18056 FOR FRAME APPLICATION
- ③ KEYING RIBS TO BE REMOVED BY TERMINATION MACHINE
- ④ CUT OFF DIMENSION DUE TO PRODUCTION PROCESS
- ⑤ CIRCUIT No. IDENTIFICATION
- ⑥ TE TRADEMARK (OPTIONAL POSITION)
- ⑦ TAMPOGRAPHIC COLOUR CODE AREA (P/Ns IDENTIFICATION BEFORE CRIMPING)
- ⑧ PRELIMINARY PART NOT YET RELEASED FOR PRODUCTION
- ⑨ PBT GF
- ⑩ PBT GF. UL94-V0 & GWEPT 750 NO-FLAME. NATURAL

P/N 0-284931-5 AS SHOWN

COLOUR CODE	CONTACT LOADING	HSG POS.	KEYING	DIM.A	DIM.B	TE P/N	REV
BLUE	SELECTIVELY 1,2,3,4,5,6,7,8,9,10,11,13	13	2/3	30.0	34.9	1-284931-3	2311506-3
BLUE	SELECTIVELY 1,3,5,7,9,11	11	-	25.0	29.9	1-284931-1	2-2311506-1
BLUE	SELECTIVELY 1,3,5,7,8,10	10	-	22.5	27.4	1-284931-0	1-2311505-0
GREEN	SELECTIVELY 1,3,4,6,7,8,9	9	-	20.0	24.9	2-284931-9	3-2311505-9
BLUE	SELECTIVELY 1,2,4,6,7,9	9	-	20.0	24.9	0-284931-9	2-2311505-9
GREEN	SELECTIVELY 1,3,4,6,7,8	8	-	17.5	22.4	2-284931-8	1-2311505-8
BLUE	SELECTIVELY 1,2,3,5,6,8	8	-	17.5	22.4	0-284931-8	2311505-8
GREEN	SELECTIVELY 1,3,5,6,7	7	-	15.0	19.9	2-284931-7	2-2311505-7
BLUE	SELECTIVELY 1,3,5,7	7	-	15.0	19.9	0-284931-7	1-2311505-7
BLUE	SELECTIVELY 1,2,4,6	6	-	12.5	17.4	1-284931-6	2-2311505-6
RED	SELECTIVELY 1,3,4,6	6	-	12.5	17.4	0-284931-6	1-2311505-6
GREEN	SELECTIVELY 1,2,3,5	5	-	10.0	14.9	4-284931-5	4-2311505-5
RED	SELECTIVELY 1,5	5	-	10.0	14.9	3-284931-5	3-2311505-5
-	SELECTIVELY 1,3,5	5	-	10.0	14.9	2-284931-5	2-2311505-5
OBSOLETED	SELECTIVELY 1,3,5	5	-	10.0	14.9	0-284931-5	-
RED	SELECTIVELY 1,3	3	2/3	5.0	9.9	5-284931-3	5-2311505-3
BROWN	SELECTIVELY 1,3	3	-	5.0	9.9	4-284931-3	4-2311505-3
GREEN	SELECTIVELY 1,3	3	-	5.0	9.9	3-284931-3	3-2311505-3
-	SELECTIVELY 1,3	3	-	5.0	9.9	2-284931-3	2-2311505-3
BLUE	SELECTIVELY 1,3	3	-	5.0	9.9	0-284931-3	1-2311505-3

PH. BRONZE, TIN PLATED	IDC RECEPTACLE CONTACT	2	THIS DRAWING IS A CONTROLLED DOCUMENT.	DMN R. FABRIS 27/FEB2004	TE Connectivity <b>DUOPLUG 2.5 FEMALE CONNECTOR</b> STANDARD VERSION (SELECTIVELY LOADED)	
PBT GLASS FIBER FILLED	FEMALE HOUSING	1	DIMENSIONS: mm	TOLERANCES UNLESS OTHERWISE SPECIFIED: 0 PLC ±0.2 1 PLC ±0.2 2 PLC ±0.2 3 PLC ±0.2 4 PLC ±0.2 ANGLES ±° FINISH -		
Q.TY	MATERIAL	DESCRIPTION	ITEM	MATERIAL SEE TABLE	APVD G. TURCO 27/FEB2004	NAME
1		REVISIONE DELL'ASSEMBLATO (REVISION OF EACH ASSY NOI)			108-18056	PRODUCT SPEC
0.24 PER ASSEMBLATO (BY REP OF ASSY)		ELENCO DEI COMPONENTI (PARTS LIST)			116-18049-1	APPLICATION SPEC
					116-18049-1	RESTRICTED TO
					WEIGHT -	SCALE 2:1 SHEET 1 OF 1 REV A21
					CUSTOMER DRAWING	

## X-ON Electronics

Largest Supplier of Electrical and Electronic Components

*Click to view similar products for [Headers & Wire Housings](#) category:*

*Click to view products by [TE Connectivity](#) manufacturer:*

Other Similar products are found below :

[892-18-020-10-001101](#) [58102-G61-06LF](#) [582553-1](#) [0009485154](#) [009176003701906](#) [0050291907](#) [LY20-4P-DT1-P1E-BR](#) [02.125.8002.8](#)  
[609-3404](#) [61062-3](#) [61082-181009](#) [622-3653LF](#) [63453-116](#) [636-1030](#) [636-1427](#) [636-3427](#) [636-4007](#) [641938-9](#) [641991-4](#) [644827-2](#) [65817-](#)  
[010LF](#) [65817-015LF](#) [65863-015LF](#) [66207-023LF](#) [67095-007LF](#) [67601157](#) [68645-018](#) [68648-049](#) [70.362.1628.0](#) [70-4210](#) [70-4226B](#) [70-](#)  
[4853B](#) [707-5020](#) [707-5028](#) [71.350.2428.0](#) [71918-208LF](#) [71961-016LF](#) [733-134](#) [733-162](#) [754199-000](#) [760-3052](#) [79531-3000](#) [FCN-](#)  
[360C032-B](#) [FCN-367T-T012/H](#) [FCN-723D010/2](#) [80.063.4001.1](#) [800-90-010-10-002000](#) [801-43-002-10-013000](#) [801-43-006-10-002000](#)  
[801-93-011-10-001000](#)