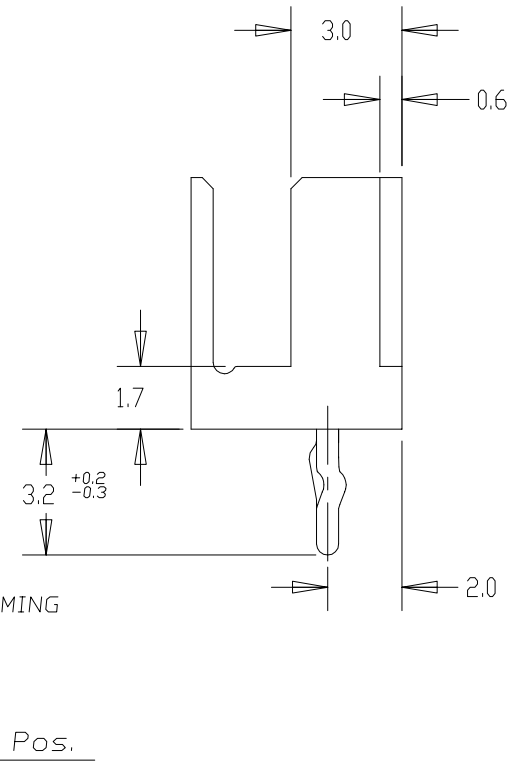
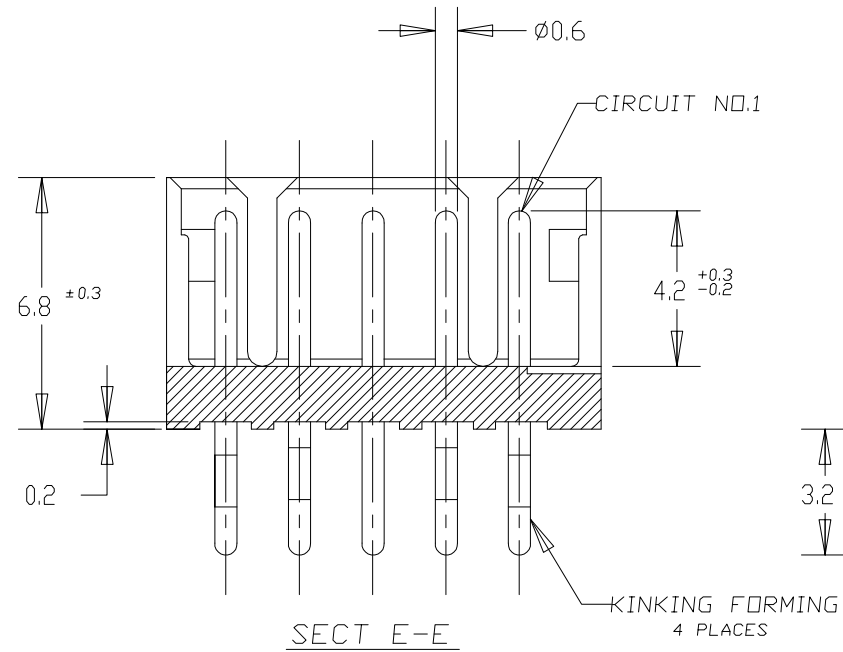
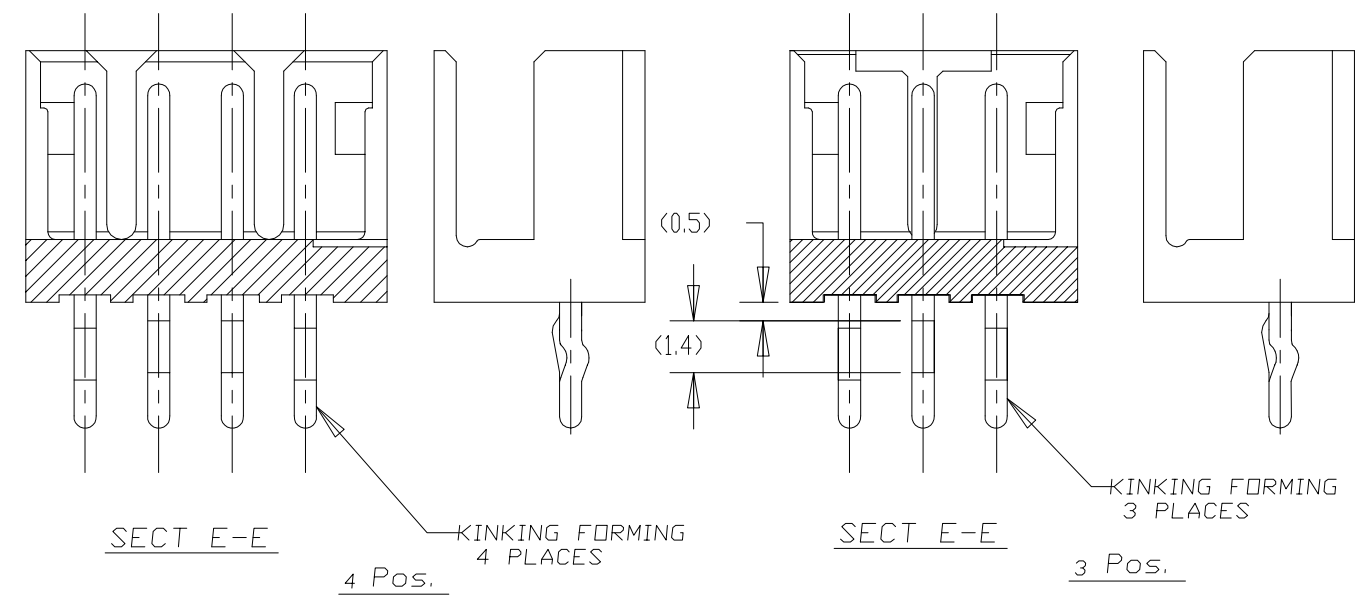
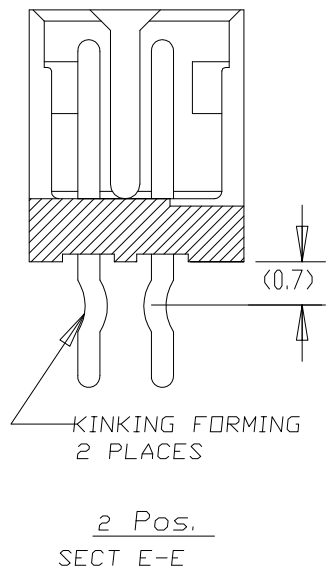
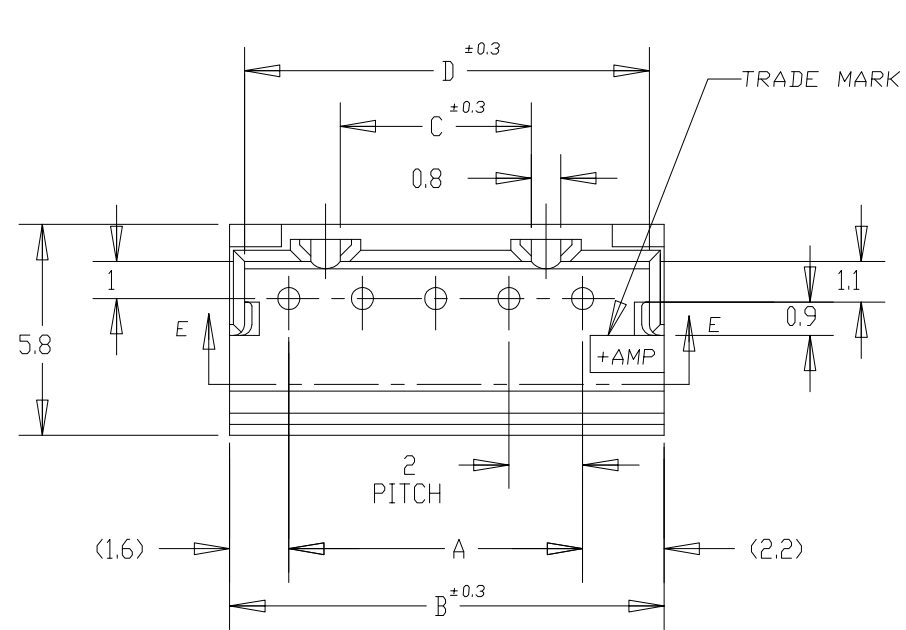
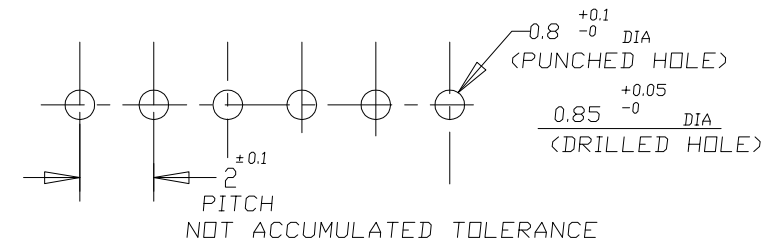


| | | | | | | | |
|-----|------|-----------|---------|---------------|---------|-----|------|
| LOC | DIST | REVISIONS | | | | | |
| FB | 00 | P | LTR | DESCRIPTION | DATE | DWN | APVD |
| | | A2 | REVISED | ECR-14-006619 | 06MAY14 | T.Q | W.H |

NOTES;
 △ MATERIAL: HOUSING - 66 NYLON (UL94V-0)
 POST - TIN BRASS
 △ 7-292132-3 WAS OBSOLETE.



| | | | | | | | | | |
|------------|------------|------------|------------|------------|------|----|------|------|------|
| | 7-292132-5 | 5-292132-5 | 3-292132-5 | 1-292132-5 | 15 | 28 | 31.8 | 25.2 | 31.0 |
| | 7-▲-4 | 5-▲-4 | 3-▲-4 | 1-▲-4 | 14 | 26 | 29.8 | 23.2 | 29.0 |
| | 7-△-3 | 5-▲-3 | 3-▲-3 | 1-▲-3 | 13 | 24 | 27.8 | 21.2 | 27.0 |
| | 7-▲-2 | 5-▲-2 | 3-▲-2 | 1-▲-2 | 12 | 22 | 25.8 | 19.2 | 25.0 |
| | 7-▲-1 | 5-▲-1 | 3-▲-1 | 1-▲-1 | 11 | 20 | 23.8 | 17.2 | 23.0 |
| | 7-▲-0 | 5-▲-0 | 3-▲-0 | 1-▲-0 | 10 | 18 | 21.8 | 15.2 | 21.0 |
| | 6-▲-9 | 4-▲-9 | 2-▲-9 | ▲-9 | 9 | 16 | 19.8 | 13.2 | 19.0 |
| | 6-▲-8 | 4-▲-8 | 2-▲-8 | ▲-8 | 8 | 14 | 17.8 | 11.2 | 17.0 |
| | 6-▲-7 | 4-▲-7 | 2-▲-7 | ▲-7 | 7 | 12 | 15.8 | 9.2 | 15.0 |
| 8-292132-6 | 6-▲-6 | 4-▲-6 | 2-▲-6 | ▲-6 | 6 | 10 | 13.8 | 7.2 | 13.0 |
| | 6-▲-5 | 4-▲-5 | 2-▲-5 | ▲-5 | 5 | 8 | 11.8 | 5.2 | 11.0 |
| | 6-▲-4 | 4-▲-4 | 2-▲-4 | ▲-4 | 4 | 6 | 9.8 | 3.2 | 9.0 |
| | 6-▲-3 | 4-▲-3 | 2-▲-3 | ▲-3 | 3 | 4 | 7.8 | — | 7.0 |
| | 6-292132-2 | 4-292132-2 | 2-292132-2 | 292132-2 | 2 | 2 | 5.8 | — | 5.0 |
| RED | BLACK | YELLOW | BLUE | NATURAL | Pos. | A | B | C | D |



RECOMMENDABLE P.C. BOARD LAYOUT
 (PCB THK: 0.8-1.6)

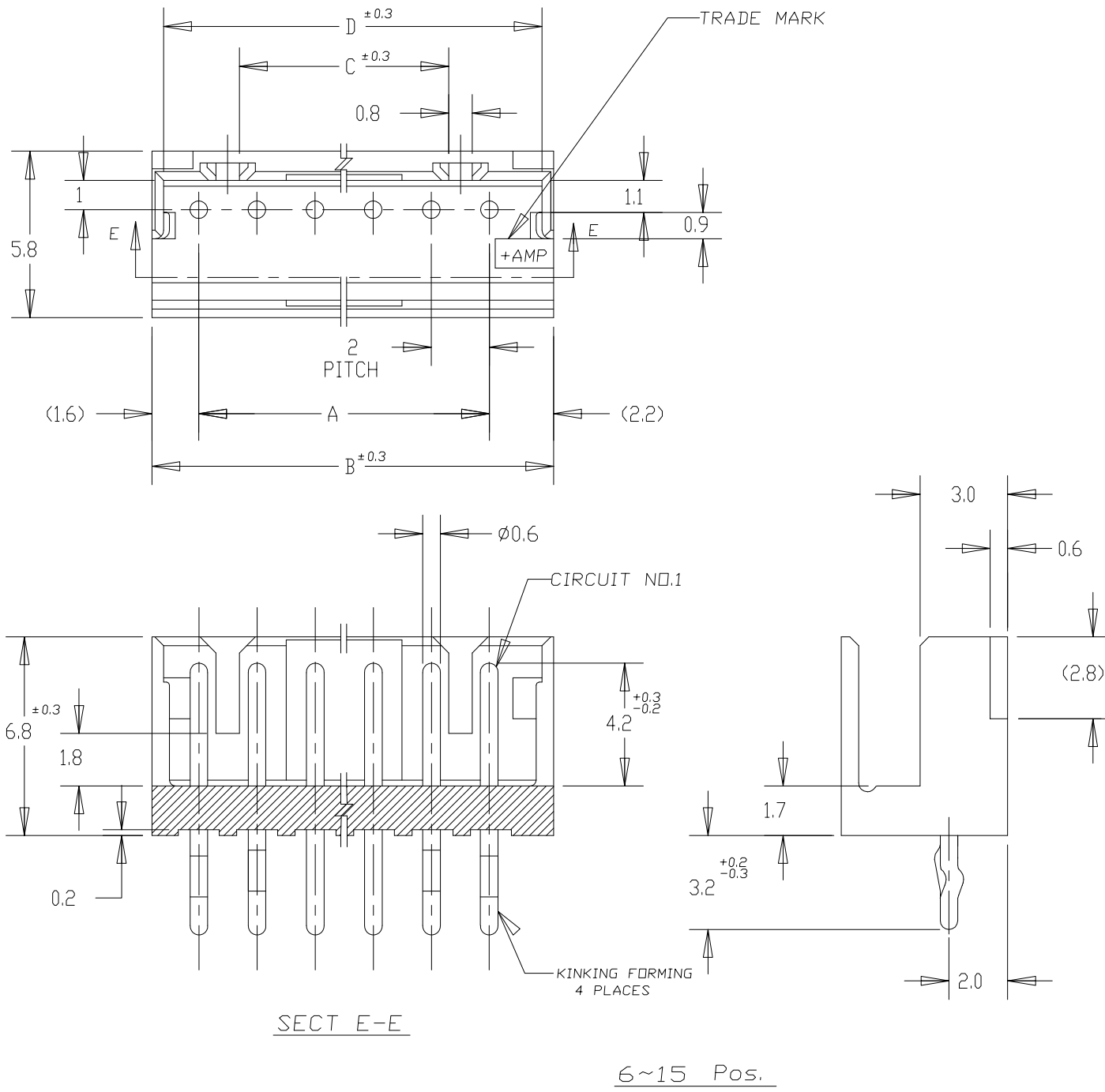
THIS DRAWING IS A CONTROLLED DOCUMENT FOR TYCO ELECTRONICS CORPORATION
 IT IS SUBJECT TO CHANGE AND THE CONTROLLING ENGINEERING ORGANIZATION
 SHOULD BE CONTACTED FOR THE LATEST REVISION.

| | |
|-------------|--|
| DIMENSIONS: | TOLERANCES UNLESS OTHERWISE SPECIFIED: |
| MM | ±0.2 |
| | 0-PLC ± |
| | 1-PLC ± |
| | 2-PLC ± |
| | 3-PLC ± |
| | 4-PLC ± |
| | ANGLES ± |
| MATERIAL | FINISH |
| △ | △ |

| | | | | | | |
|------------------|-----------|------------------|----------|---|-----|----|
| DWN | J. JIANG | 23JAN03 | | Tyco Electronics Corporation | | |
| CHK | S. YAO | 23JAN03 | | Shanghai, P.R.China, 200233 | | |
| APVD | T. SASAKI | 23JAN03 | | NAME | | |
| PRODUCT SPEC | 108-60016 | APPLICATION SPEC | | POST HEADER ASS'Y (BOX-V DIP) (AMP CT CONNECTOR 2mm PITCH) | | |
| WEIGHT | A3 | 00779 | C=292132 | RESTRICTED TO | — | |
| CUSTOMER DRAWING | SCALE | 5:1 | SHEET | 1 OF 2 | REV | A2 |

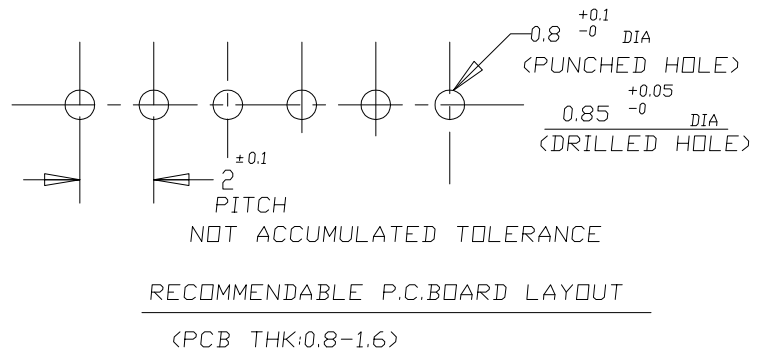
THIS DRAWING IS UNPUBLISHED. RELEASED FOR PUBLICATION
 © COPYRIGHT BY TYCO ELECTRONICS CORPORATION. ALL RIGHTS RESERVED.

| LOC | DIST | REVISIONS | | | | | |
|-----|------|-----------|-----|-------------|------|-----|------|
| FB | 00 | P | LTR | DESCRIPTION | DATE | DWN | APVD |
| | | - | | SEE SHEET 1 | - | - | - |



NOTES;
 △ MATERIAL: HOUSING - 66 NYLON (UL94V-0)
 POST - TIN BRASS

| | | | | | | | | | |
|------------|------------|------------|------------|------------|--------------------|----|------|------|------|
| | 7-292132-5 | 5-292132-5 | 3-292132-5 | 1-292132-5 | 15 | 28 | 31.8 | 25.2 | 31.0 |
| | 7-▲-4 | 5-▲-4 | 3-▲-4 | 1-▲-4 | 14 | 26 | 29.8 | 23.2 | 29.0 |
| | 7-▲-3 | 5-▲-3 | 3-▲-3 | 1-▲-3 | 13 | 24 | 27.8 | 21.2 | 27.0 |
| | 7-▲-2 | 5-▲-2 | 3-▲-2 | 1-▲-2 | 12 | 22 | 25.8 | 19.2 | 25.0 |
| | 7-▲-1 | 5-▲-1 | 3-▲-1 | 1-▲-1 | 11 | 20 | 23.8 | 17.2 | 23.0 |
| | 7-▲-0 | 5-▲-0 | 3-▲-0 | 1-▲-0 | 10 | 18 | 21.8 | 15.2 | 21.0 |
| | 6-▲-9 | 4-▲-9 | 2-▲-9 | ▲-9 | 9 | 16 | 19.8 | 13.2 | 19.0 |
| | 6-▲-8 | 4-▲-8 | 2-▲-8 | ▲-8 | 8 | 14 | 17.8 | 11.2 | 17.0 |
| | 6-▲-7 | 4-▲-7 | 2-▲-7 | ▲-7 | 7 | 12 | 15.8 | 9.2 | 15.0 |
| 8-292132-6 | 6-▲-6 | 4-▲-6 | 2-▲-6 | ▲-6 | 6 | 10 | 13.8 | 7.2 | 13.0 |
| | 6-▲-5 | 4-▲-5 | 2-▲-5 | ▲-5 | (SEE SHEET 1 OF 2) | | | | |
| | 6-▲-4 | 4-▲-4 | 2-▲-4 | ▲-4 | | | | | |
| | 6-▲-3 | 4-▲-3 | 2-▲-3 | ▲-3 | | | | | |
| | 6-▲-2 | 4-▲-2 | 2-▲-2 | ▲-2 | | | | | |
| RED | BLACK | YELLOW | BLUE | NATURAL | Pos. | A | B | C | D |



THIS DRAWING IS A CONTROLLED DOCUMENT FOR TYCO ELECTRONICS CORPORATION IT IS SUBJECT TO CHANGE AND THE CONTROLLING ENGINEERING ORGANIZATION SHOULD BE CONTACTED FOR THE LATEST REVISION.

| | | | |
|----------------|---|------------------|---|
| DIMENSIONS: MM | TOLERANCES UNLESS OTHERWISE SPECIFIED: ±0.2 | DWN | Tyco Electronics Corporation Shanghai, P.R.China, 200233 |
| | 0-PLC ± | CHK | |
| | 1-PLC ± | APVD | |
| | 2-PLC ± | PRODUCT SPEC | |
| | 3-PLC ± | APPLICATION SPEC | NAME |
| | 4-PLC ± | WEIGHT | POST HEADER ASS'Y (BOX-V DIP) (AMP CT CONNECTOR 2mm PITCH) |
| MATERIAL | FINISH | CUSTOMER DRAWING | SIZE CAGE CODE DRAWING NO RESTRICTED TO |
| △ | △ | | A3 00779 C-292132 - |
| | | SCALE | SHEET OF REV |
| | | 5:1 | 2 OF 2 A2 |

X-ON Electronics

Largest Supplier of Electrical and Electronic Components

Click to view similar products for [Headers & Wire Housings](#) category:

Click to view products by [TE Connectivity](#) manufacturer:

Other Similar products are found below :

[892-18-020-10-001101](#) [58102-G61-06LF](#) [582553-1](#) [0009485154](#) [009176003701906](#) [0050291907](#) [LY20-4P-DT1-P1E-BR](#) [02.125.8002.8](#)
[609-3404](#) [61062-3](#) [61082-181009](#) [622-3653LF](#) [63453-116](#) [636-1030](#) [636-1427](#) [636-3427](#) [636-4007](#) [641938-9](#) [641991-4](#) [644827-2](#) [65817-010LF](#) [65817-015LF](#) [65863-015LF](#) [66207-023LF](#) [67095-007LF](#) [67601157](#) [68645-018](#) [68648-049](#) [70.362.1628.0](#) [70-4210](#) [70-4226B](#) [70-4853B](#) [707-5020](#) [707-5028](#) [71.350.2428.0](#) [71918-208LF](#) [71961-016LF](#) [733-134](#) [733-162](#) [754199-000](#) [760-3052](#) [787-8014-00](#) [79531-3000](#)
[FCN-360C032-B](#) [FCN-367T-T012/H](#) [FCN-723D010/2](#) [80.063.4001.1](#) [800-90-001-10-001000](#) [800-90-010-10-002000](#) [801-43-002-10-013000](#)