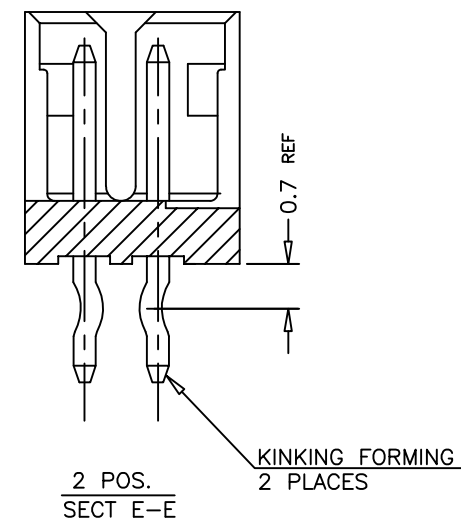
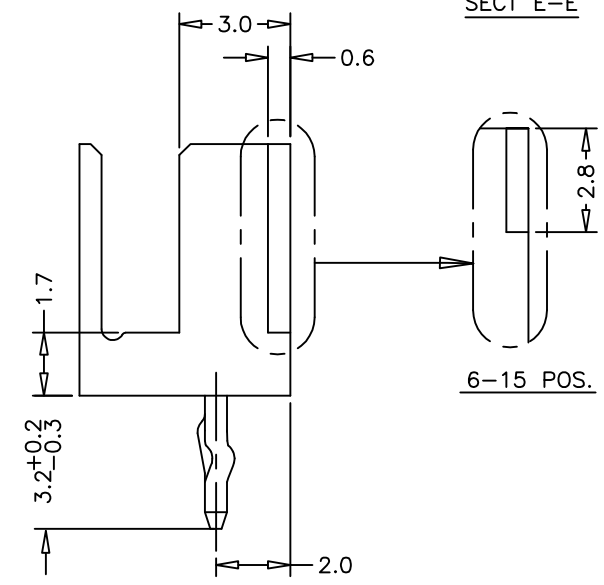
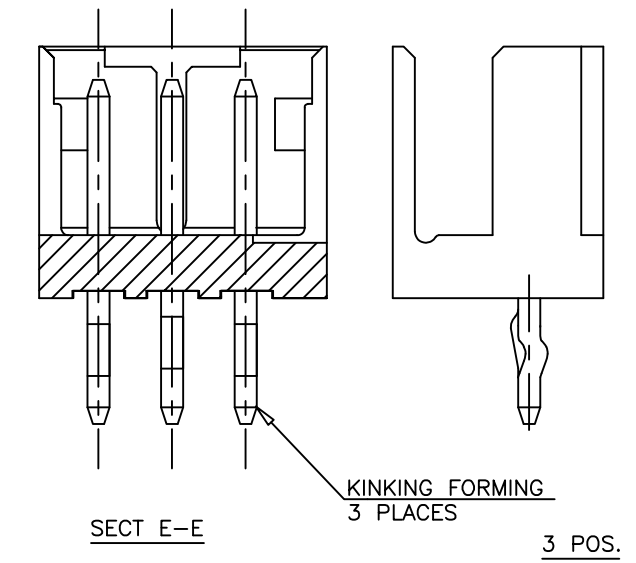
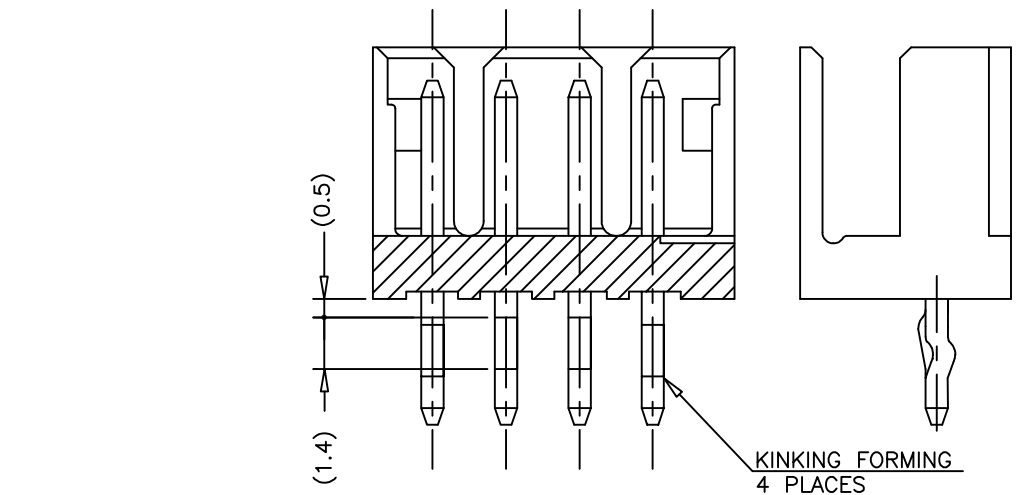
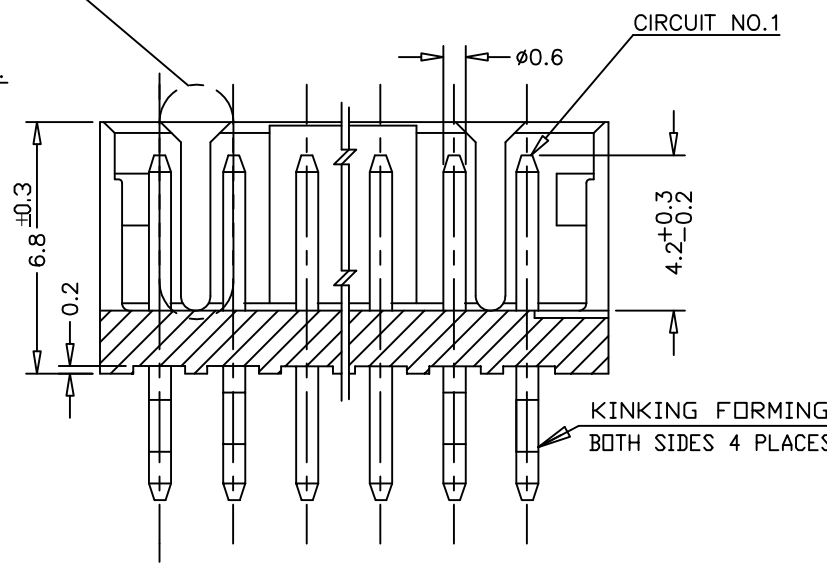
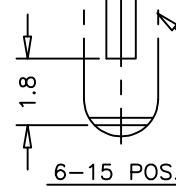
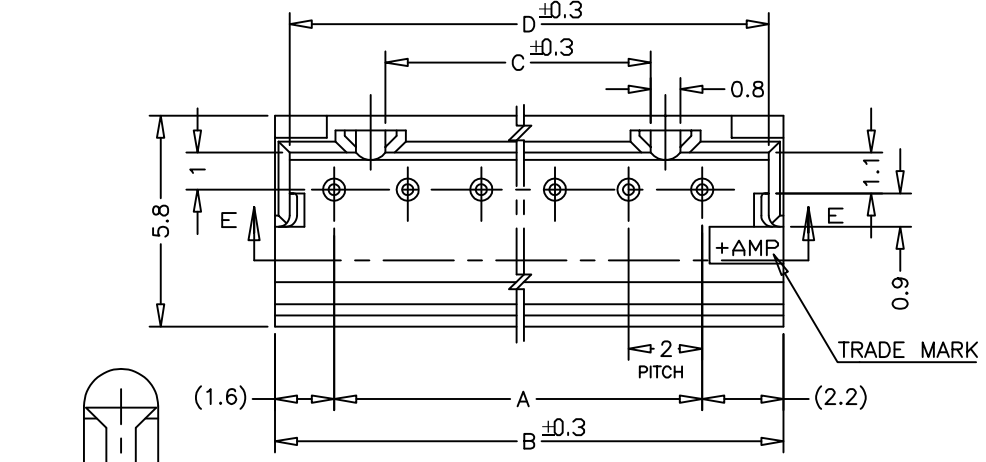
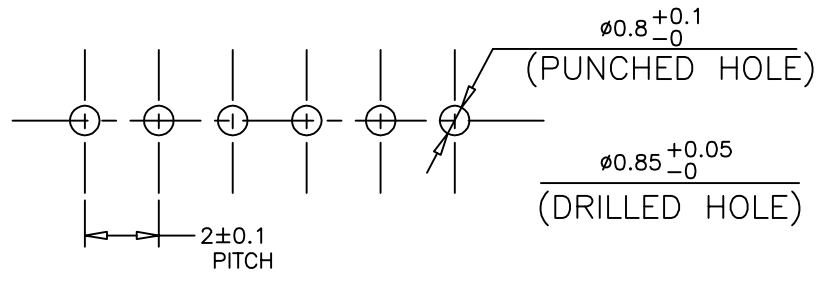


THIS DRAWING IS UNPUBLISHED. RELEASED FOR PUBLICATION
 © COPYRIGHT - By - ALL RIGHTS RESERVED.

LOC	DIST	REVISIONS					
FB	00	P	LTR	DESCRIPTION	DATE	DWN	APVD
		P1	REVISED	ECR-14-006619	13MAY14	T.Q	W.H



NOTES:
 1 MATERIAL : HOUSING-66 NYLON (UL94V-0)
 POST -GOLD-PLT BRASS
 2 APPLICABLE RECEPTACLE : P/N 176392



NOT ACCUMULATED TOLERANCE

RECOMMENDABLE P.C. BOARD LAYOUT
 (PCB THK : 0.8-1.6)

NATURAL (WHITE)	1-292134-5	15	28	31.8	25.2	31.0
	1-2	12	22	25.8	19.2	25.0
	1-	10	18	21.8	15.2	21.0
		9	16	19.8	13.2	19.0
		6	10	13.8	7.2	13.0
		5	8	11.8	5.2	11.0
		4	6	9.8	3.2	9.0
		3	4	7.8	—	7.0
	292134-2	2	2	5.8	—	5.0
COLOR	P/N	POS.	A	B	C	D

THIS DRAWING IS A CONTROLLED DOCUMENT.		DWN	S.XU	31JAN03	TE Connectivity	NAME		POST HEADER ASS'Y (BOX-V)				
DIMENSIONS: mm		CHK	S.YAO	31JAN03		PRODUCT SPEC		GOLD PLT TYPE (AMP CT CONNECTOR 2mm PITCH)				
TOLERANCES UNLESS OTHERWISE SPECIFIED: ±0.2		APVD	T.SASAKI	31JAN03		APPLICATION SPEC		108-60016		DRAWING NO		RESTRICTED TO
MATERIAL: SEE NOTE		FINISH: SEE NOTE		WEIGHT: -		CUSTOMER DRAWING		SIZE	CAGE CODE	A300779	DRAWING NO	C=292134
SCALE		5:1		SHEET		1 of 1		REV		P1		

X-ON Electronics

Largest Supplier of Electrical and Electronic Components

Click to view similar products for [Headers & Wire Housings](#) category:

Click to view products by [TE Connectivity](#) manufacturer:

Other Similar products are found below :

[892-18-020-10-001101](#) [58102-G61-06LF](#) [582553-1](#) [0009485154](#) [009176003701906](#) [0050291907](#) [LY20-4P-DT1-P1E-BR](#) [02.125.8002.8](#)
[609-3404](#) [61062-3](#) [61082-181009](#) [622-3653LF](#) [63453-116](#) [636-1030](#) [636-1427](#) [636-3427](#) [636-4007](#) [641938-9](#) [641991-4](#) [644827-2](#) [65817-](#)
[010LF](#) [65817-015LF](#) [65863-015LF](#) [66207-023LF](#) [67095-007LF](#) [67601157](#) [68645-018](#) [68648-049](#) [70.362.1628.0](#) [70-4210](#) [70-4226B](#) [70-](#)
[4853B](#) [707-5020](#) [707-5028](#) [71.350.2428.0](#) [71918-208LF](#) [71961-016LF](#) [733-134](#) [733-162](#) [754199-000](#) [760-3052](#) [787-8014-00](#) [79531-3000](#)
[FCN-360C032-B](#) [FCN-367T-T012/H](#) [FCN-723D010/2](#) [80.063.4001.1](#) [800-90-001-10-001000](#) [800-90-010-10-002000](#) [801-43-002-10-013000](#)