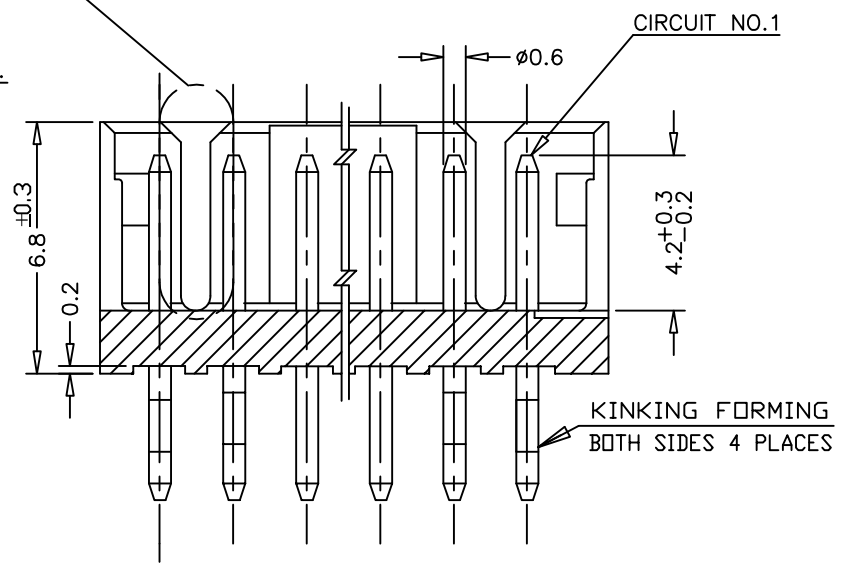
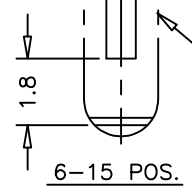
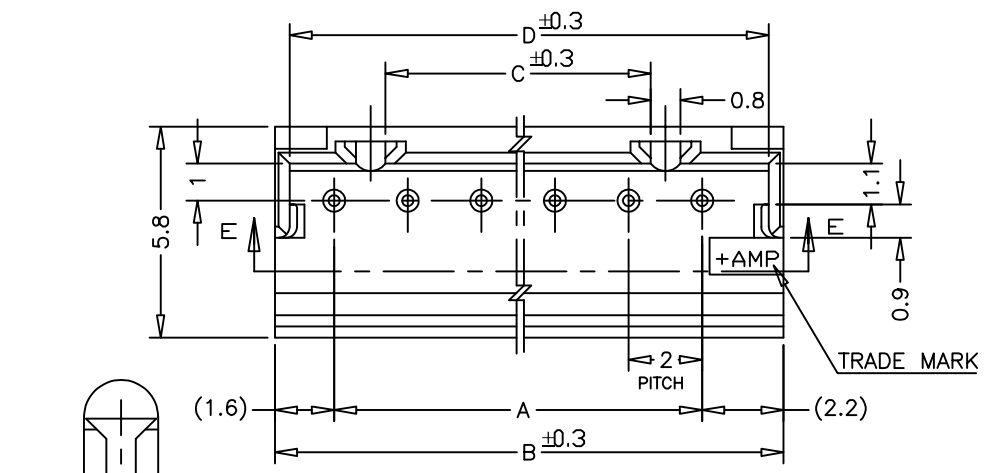
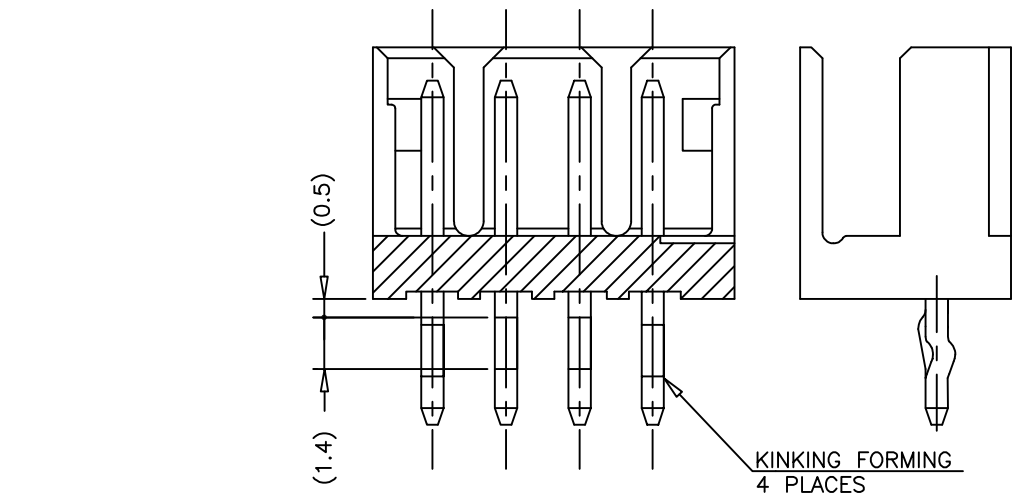


THIS DRAWING IS UNPUBLISHED. RELEASED FOR PUBLICATION  
 © COPYRIGHT - By - ALL RIGHTS RESERVED.

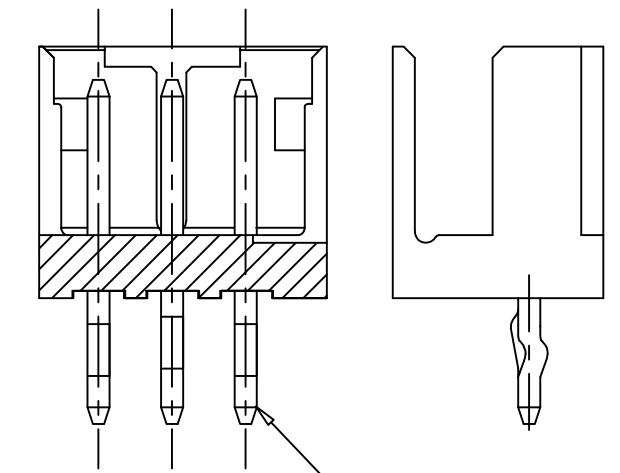
LOC	DIST	REVISIONS		
FB	00	P	LTR	DESCRIPTION
		P1	REVISED	ECR-14-006619
				DATE
				13MAY14
				DWN
				T.Q
				APVD
				W.H



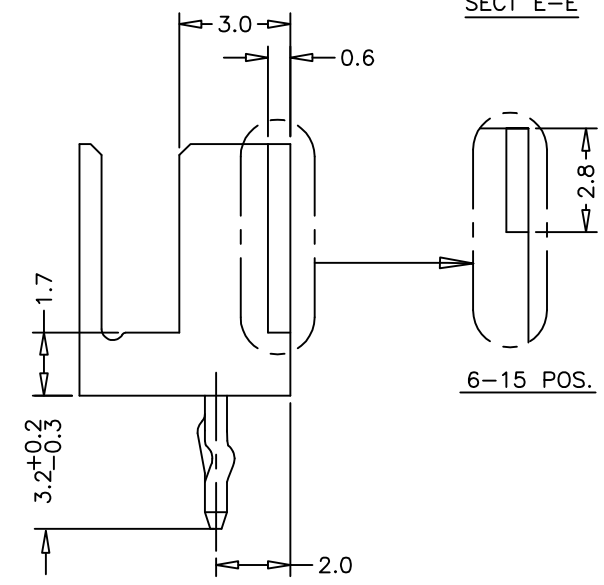
SECT E-E 5~15 POS.



SECT E-E 4 POS.

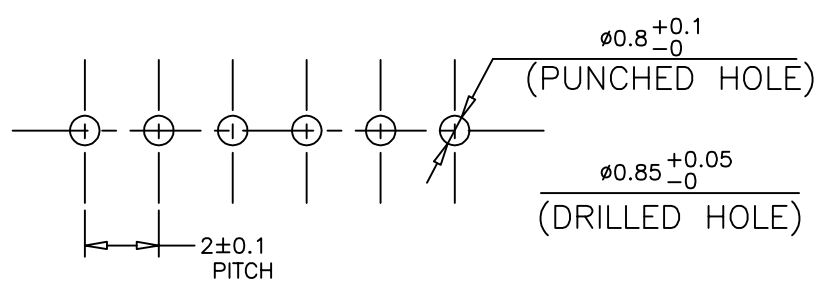


SECT E-E 3 POS.



2 POS. SECT E-E

NOTES:  
 1 MATERIAL : HOUSING-66 NYLON (UL94V-0)  
 POST -GOLD-PLT BRASS  
 2 APPLICABLE RECEPTACLE : P/N 176392



NOT ACCUMULATED TOLERANCE

RECOMMENDABLE P.C. BOARD LAYOUT  
 (PCB THK : 0.8-1.6)

NATURAL (WHITE)	1-292134-5	15	28	31.8	25.2	31.0
	1-2	12	22	25.8	19.2	25.0
	1-	10	18	21.8	15.2	21.0
		9	16	19.8	13.2	19.0
		6	10	13.8	7.2	13.0
		5	8	11.8	5.2	11.0
		4	6	9.8	3.2	9.0
		3	4	7.8	—	7.0
	292134-2	2	2	5.8	—	5.0
COLOR	P/N	POS.	A	B	C	D

THIS DRAWING IS A CONTROLLED DOCUMENT.		DWN	31JAN03	TE Connectivity POST HEADER ASS'Y (BOX-V) GOLD PLT TYPE (AMP CT CONNECTOR 2mm PITCH)		
DIMENSIONS: mm		CHK	31JAN03			
TOLERANCES UNLESS OTHERWISE SPECIFIED: ±0.2		APVD	31JAN03			
0-PLG ± 1-PLG ± 2-PLG ± 3-PLG ± 4-PLG ± ANGLES ±-		NAME	T.SASAKI			
MATERIAL SEE NOTE		FINISH	SEE NOTE	PRODUCT SPEC	108-60016	
		APPLICATION SPEC		SIZE	CAGE CODE	DRAWING NO
		WEIGHT		A3	00779	C=292134
		CUSTOMER DRAWING		RESTRICTED TO		
		SCALE	5:1	SHEET	1 of 1	REV
						P1

## X-ON Electronics

Largest Supplier of Electrical and Electronic Components

*Click to view similar products for [Headers & Wire Housings](#) category:*

*Click to view products by [TE Connectivity](#) manufacturer:*

Other Similar products are found below :

[892-18-020-10-001101](#) [58102-G61-06LF](#) [582553-1](#) [0009485154](#) [009176003701906](#) [0050291907](#) [LY20-4P-DT1-P1E-BR](#) [02.125.8002.8](#)  
[609-3404](#) [61062-3](#) [61082-181009](#) [622-3653LF](#) [63453-116](#) [636-1030](#) [636-1427](#) [636-3427](#) [636-4007](#) [641938-9](#) [641991-4](#) [644827-2](#) [65817-010LF](#) [65817-015LF](#) [65863-015LF](#) [66207-023LF](#) [67095-007LF](#) [67601157](#) [68645-018](#) [68648-049](#) [70.362.1628.0](#) [70-4210](#) [70-4226B](#) [70-4853B](#) [707-5020](#) [707-5028](#) [71.350.2428.0](#) [71918-208LF](#) [71961-016LF](#) [733-134](#) [733-162](#) [754199-000](#) [760-3052](#) [787-8014-00](#) [79531-3000](#)  
[FCN-360C032-B](#) [FCN-367T-T012/H](#) [FCN-723D010/2](#) [80.063.4001.1](#) [800-90-001-10-001000](#) [800-90-010-10-002000](#) [801-43-002-10-013000](#)