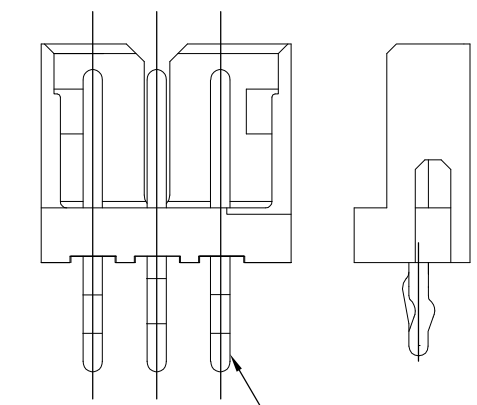


THIS DRAWING IS UNPUBLISHED. RELEASED FOR PUBLICATION  
 © COPYRIGHT - By - ALL RIGHTS RESERVED.

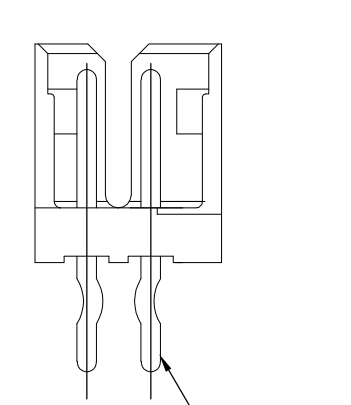
| REVISIONS |               |             |          |         |
|-----------|---------------|-------------|----------|---------|
| P         | LTR           | DESCRIPTION | DATE     | APVD    |
| P1        | ECR-16-004636 |             | 16-06-30 | T.Q W.H |



4 POS.



3 POS.

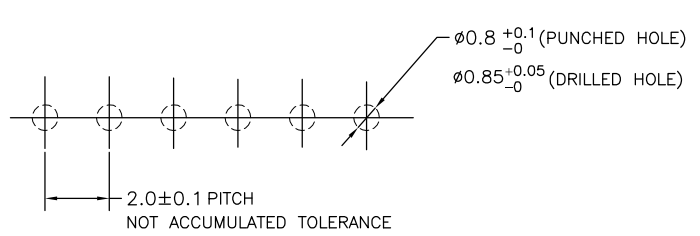


2 POS.

|            |            |            |            |            |      |    |      |      |      |
|------------|------------|------------|------------|------------|------|----|------|------|------|
|            | 7-292161-5 | 5-292161-5 | 3-292161-5 | 1-292161-5 | 15   | 28 | 31.8 | 25.2 | 31.0 |
|            | 7- ↑ -4    | 5- ↑ -4    | 3- ↑ -4    | 1- ↑ -4    | 14   | 26 | 29.8 | 23.2 | 29.0 |
|            | 7- -3      | 5- -3      | 3- -3      | 1- -3      | 13   | 24 | 27.8 | 21.2 | 27.0 |
| 9-292161-2 | 7- -2      | 5- -2      | 3- -2      | 1- -2      | 12   | 22 | 25.8 | 19.2 | 25.0 |
| 9- ↑ -1    | 7- -1      | 5- -1      | 3- -1      | 1- -1      | 11   | 20 | 23.8 | 17.2 | 23.0 |
| 9- -0      | 7- -0      | 5- -0      | 3- -0      | 1- -0      | 10   | 18 | 21.8 | 15.2 | 21.0 |
| 8- -9      | 6- -9      | 4- -9      | 2- -9      | -9         | 9    | 16 | 19.8 | 13.2 | 19.0 |
| 8- -8      | 6- -8      | 4- -8      | 2- -8      | -8         | 8    | 14 | 17.8 | 11.2 | 17.0 |
| 8- -7      | 6- -7      | 4- -7      | 2- -7      | -7         | 7    | 12 | 15.8 | 9.2  | 15.0 |
| 8- -6      | 6- -6      | 4- -6      | 2- -6      | -6         | 6    | 10 | 13.8 | 7.2  | 13.0 |
| 8- -5      | 6- -5      | 4- -5      | 2- -5      | -5         | 5    | 8  | 11.8 | 5.2  | 11.0 |
| 8- -4      | 6- -4      | 4- -4      | 2- -4      | -4         | 4    | 6  | 9.8  | 3.2  | 9.0  |
| 8- ↓ -3    | 6- ↓ -3    | 4- ↓ -3    | 2- ↓ -3    | ↓ -3       | 3    | 4  | 7.8  | -    | 7.0  |
| 8-292161-2 | 6-292161-2 | 4-292161-2 | 2-292161-2 | 292161-2   | 2    | 2  | 5.8  | -    | 5.0  |
| RED        | BLACK      | YELLOW     | BLUE       | NATURAL    | Pos. | A  | B    | C    | D    |

NOTES:

- 1.MATERIAL: HOUSING - NYLON 66 (UL94V-0)  
POST - TIN BRASS
- 2.APPLICABLE RECEPTACLE P/N 173977
- 3.OBSOLETE RED COLOR PARTS.



RECOMMENDABLE PCB LAYOUT  
 (PCB THK:0.8-1.6)

| TOLERANCES UNLESS OTHERWISE SPECIFIED: |         |
|--|---------|
| 10 ≥ *                                 | : ±0.2  |
| 30 ≥ * > 10                            | : ±0.25 |
| 100 ≥ * > 30                           | : ±0.3  |
| ANGLE                                  | : ±3°   |

THIS DRAWING IS A CONTROLLED DOCUMENT.

DWN S.XU 31JAN03  
 CHK S.YAO 31JAN03  
 APVD T. SASAKI 31JAN03

PRODUCT SPEC 108-60016  
 APPLICATION SPEC

NAME POST HEADER ASS'Y VERTICAL TYPE (AMP CT CONNECTOR 2mm PITCH)

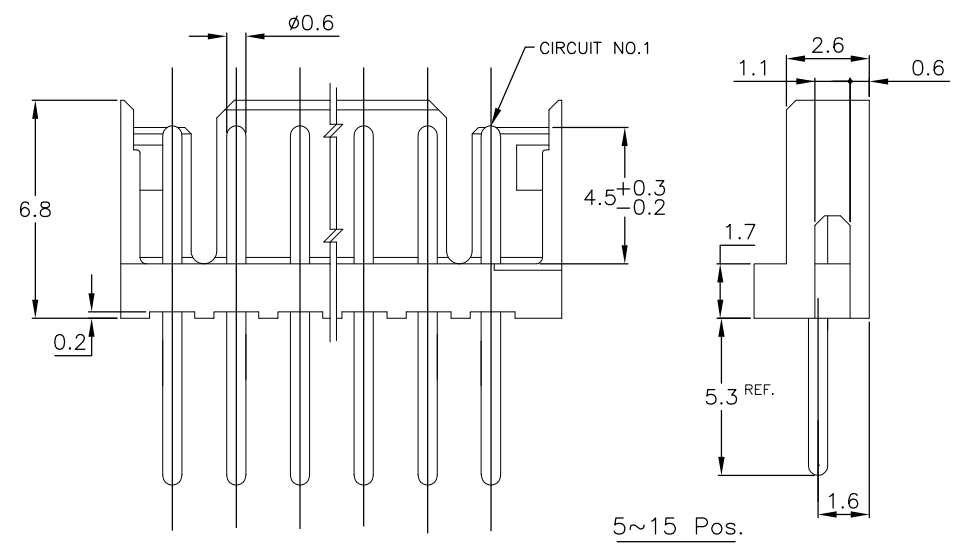
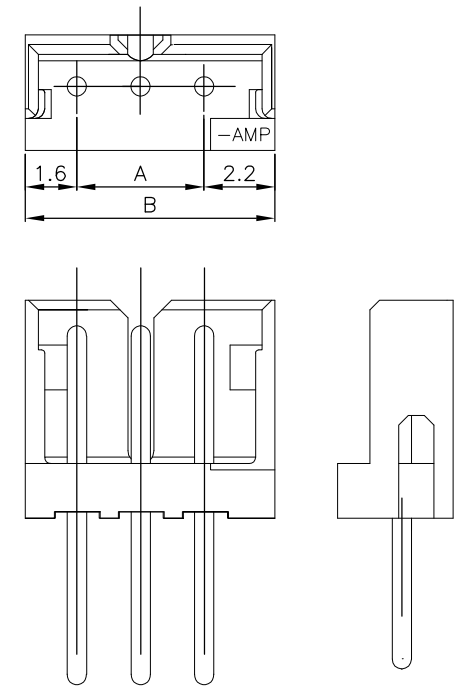
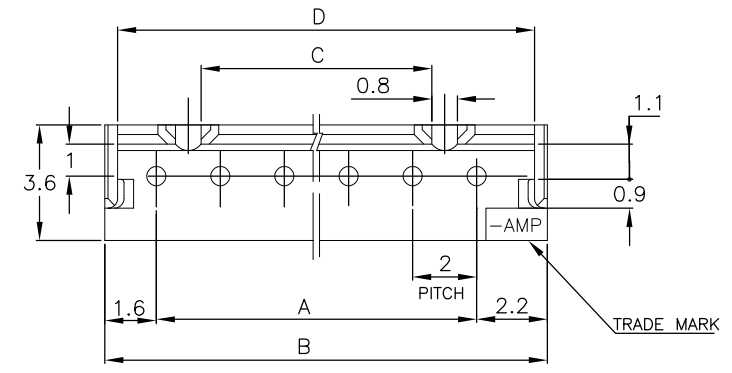
SIZE A3 CAGE CODE 00779 DRAWING NO C-292161 RESTRICTED TO -

MATERIAL SEE NOTE FINISH SEE NOTE WEIGHT 0.000000

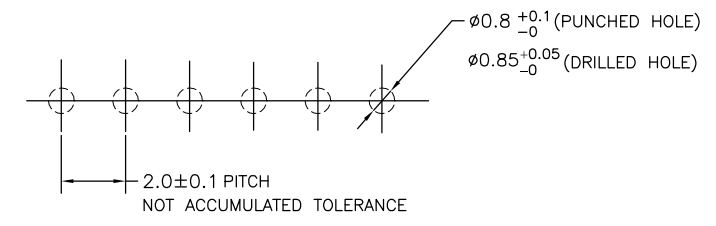
CUSTOMER DRAWING SCALE 5:1 SHEET 1 OF 2 REV P1

THIS DRAWING IS UNPUBLISHED. RELEASED FOR PUBLICATION  
 © COPYRIGHT - By - ALL RIGHTS RESERVED.

| REVISIONS |     |             |      |     |      |
|-----------|-----|-------------|------|-----|------|
| P         | LTR | DESCRIPTION | DATE | DWN | APVD |
| -         | -   | SEE SHEET 1 | -    | -   | -    |



NOTES:  
 1.MATERIAL: HOUSING - NYLON 66 (UL94V-0)  
 POST - TIN BRASS  
 2.APPLICABLE RECEPTACLE P/N 173977



RECOMMENDABLE PCB LAYOUT  
 (PCB THK:0.8-1.6)

| TOLERANCES UNLESS OTHERWISE SPECIFIED: |         |
|--|---------|
| 10 ≥ *                                 | : ±0.2  |
| 30 ≥ * > 10                            | : ±0.25 |
| 100 ≥ * > 30                           | : ±0.3  |
| ANGLE                                  | : ±3°   |

|            |      |    |      |     |      |
|------------|------|----|------|-----|------|
| 9-292161-7 | 7    | 12 | 15.8 | 9.2 | 15.0 |
| 9-292161-3 | 3    | 4  | 7.8  | -   | 7.0  |
| NATURAL    | Pos. | A  | B    | C   | D    |
| PART NO.   |      |    |      |     |      |

|  |  |                        |  |                 |                 |
|--|--|------------------------|--|-----------------|-----------------|
| THIS DRAWING IS A CONTROLLED DOCUMENT. |  | DWN S.XU 31JAN03       | TE Connectivity  |                 |                 |
| DIMENSIONS: mm                         |  | CHK S.YAO 31JAN03      |  |                 |                 |
| TOLERANCES UNLESS OTHERWISE SPECIFIED: |  | APVD T. SASAKI 31JAN03 | NAME   |                 |                 |
|  |  | PRODUCT SPEC 108-60016 | POST HEADER ASS'Y VERTICAL TYPE (AMP CT CONNECTOR 2mm PITCH) |                 |                 |
| MATERIAL SEE NOTE                      |  | FINISH SEE NOTE        | APPLICATION SPEC -   | SIZE A3         | CAGE CODE 00779 |
|  |  | WEIGHT 0.000000        | DRAWING NO C-292161  | RESTRICTED TO - |                 |
|  |  | CUSTOMER DRAWING       | SCALE 5:1  | SHEET 2 of 2    | REV P1          |

## X-ON Electronics

Largest Supplier of Electrical and Electronic Components

*Click to view similar products for [Headers & Wire Housings](#) category:*

*Click to view products by [TE Connectivity](#) manufacturer:*

Other Similar products are found below :

[892-18-020-10-001101](#) [58102-G61-06LF](#) [582553-1](#) [0009485154](#) [009176003701906](#) [0050291907](#) [LY20-4P-DT1-P1E-BR](#) [02.125.8002.8](#)  
[609-3404](#) [61062-3](#) [61082-181009](#) [622-3653LF](#) [63453-116](#) [636-1030](#) [636-1427](#) [636-3427](#) [636-4007](#) [641938-9](#) [641991-4](#) [644827-2](#) [65817-](#)  
[010LF](#) [65817-015LF](#) [65863-015LF](#) [66207-023LF](#) [67095-007LF](#) [67601157](#) [68645-018](#) [68648-049](#) [70.362.1628.0](#) [70-4210](#) [70-4226B](#) [70-](#)  
[4853B](#) [707-5020](#) [707-5028](#) [71.350.2428.0](#) [71918-208LF](#) [71961-016LF](#) [733-134](#) [733-162](#) [754199-000](#) [760-3052](#) [79531-3000](#) [FCN-](#)  
[360C032-B](#) [FCN-367T-T012/H](#) [FCN-723D010/2](#) [80.063.4001.1](#) [800-90-010-10-002000](#) [801-43-002-10-013000](#) [801-43-006-10-002000](#)  
[801-93-011-10-001000](#)