


THIS DRAWING IS UNPUBLISHED. RELEASED FOR PUBLICATION
 © COPYRIGHT - By - ALL RIGHTS RESERVED.

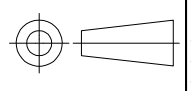
LOC	DIST	REVISIONS					
FB	00	P	LTR	DESCRIPTION	DATE	DWN	APVD
		P		REVISED PER ECO-11-005033	29MAR11	RK	HMR

NAME	POS	IN TUBE P/N	QTY'S	CT POST HDR ASS'Y (BOX-H DIP)	COLOR	NAME	POS	IN TUBE P/N	QTY'S	CT POST HDR ASS'Y (BOX-H DIP)	COLOR											
TUBE PACKING AMP CT CONN POST HDR ASS'Y (BOX-H DIP)						TUBE PACKING AMP CT CONN POST HDR ASS'Y (BOX-H DIP)																
												12		3-292164-2			15		3-292250-2			BLUE
												11		3-	-1		20		3-	-1		
												10		3-	-0		20		3-	-0		
												9		2-	-9		20		2-	-9		
												8		2-	-8		25		2-	-8		
												7		2-	-7		30		2-	-7		
												6		2-	-6		30		2-	-6		
												5		2-	-5		40		2-	-5		
												4		2-	-4		45		2-	-4		
												3		2-	-3		60		2-	-3		
												2		2-292164-2			80		2-292250-2			
												15		1-292164-5			15		1-292250-5			NATURAL (WHITE)
												14		1-	-4		15		1-	-4		
												13		1-	-3		15		1-	-3		
12		1-	-2		15		1-	-2														
11		1-	-1		20		1-	-1														
10		1-	-0		20		1-	-0														
9			-9		20			-9														
8			-8		25			-8														
7			-7		30			-7														
6			-6		30			-6														
5			-5		40			-5														
4			-4		45			-4														
3			-3		60			-3														
2		292164-2			80		292250-2															

NOTE:
 1. TUBE P/N: 6-720999-1 (P.V.C)
 2. THIS PRODUCT IS IN TUBE PACKING OF P/N 292250

THIS DRAWING IS A CONTROLLED DOCUMENT.

DWN	J. JIANG	23JAN03	 TE Connectivity
CHK	S. YAO	23JAN03	
APVD	T. SASAKI	23JAN03	
NAME	TUBE PACKING AMP CT CONN. POST HDR ASS'Y (BOX-H DIP)		
PRODUCT SPEC	108-60016		RESTRICTED TO
APPLICATION SPEC	A300779 C-292164		
WEIGHT	CUSTOMER DRAWING	SCALE	SHEET 1 OF 1

DIMENSIONS:	TOLERANCES UNLESS OTHERWISE SPECIFIED:
mm	
	0 PLC ± -
	1 PLC ± -
	2 PLC ± -
	3 PLC ± -
	4 PLC ± -
	ANGLES ± -
MATERIAL	FINISH

X-ON Electronics

Largest Supplier of Electrical and Electronic Components

Click to view similar products for [Headers & Wire Housings](#) category:

Click to view products by [TE Connectivity](#) manufacturer:

Other Similar products are found below :

[95000-104TRLF](#) [10135584-644402LF](#) [DF62W-EP2022PCA](#) [95000-106TRLF](#) [DF62W-2022SCA](#) [DF62W-EP2022PC](#) [2203348](#) [DF62W-2022SC](#) [1084018](#) [1029039](#) [1084017](#) [802-10-012-10-002000](#) [1112640](#) [1112639](#) [000-34000](#) [0009482033](#) [0009507031](#) [57102-S06-03LF](#) [57202-S52-04LF](#) [PCN6-15S-2.5E](#) [0039019024](#) [58102-G61-06LF](#) [582553-1](#) [0009508121](#) [0050291907](#) [018731A](#) [LY20-4P-DT1-P1E-BR](#) [02.125.8002.8](#) [60101931](#) [60598-1 \(Cut Strip\)](#) [M1625-3R/100](#) [61062-3](#) [61082-181009](#) [636-1427](#) [638009-1](#) [641938-9](#) [641991-4](#) [644168-1](#) [647662-1](#) [65039-019ELF](#) [65817-002LF](#) [65817-015LF](#) [65863-015LF](#) [66207-023LF](#) [67016-026LF](#) [67046-001LF](#) [67095-007LF](#) [68002-116](#) [68016-236H](#) [68648-049](#)