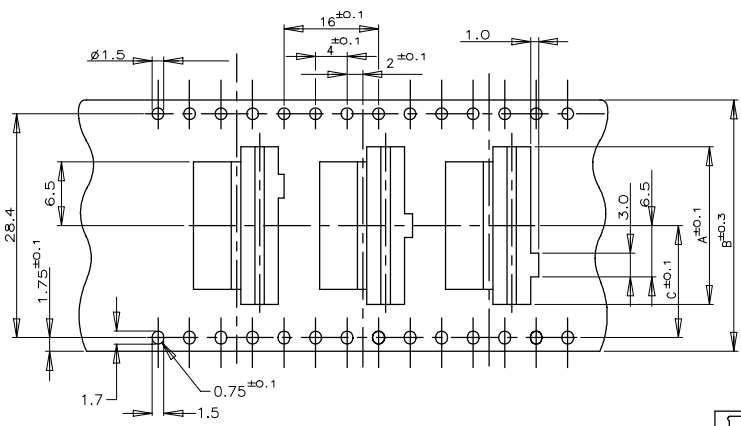
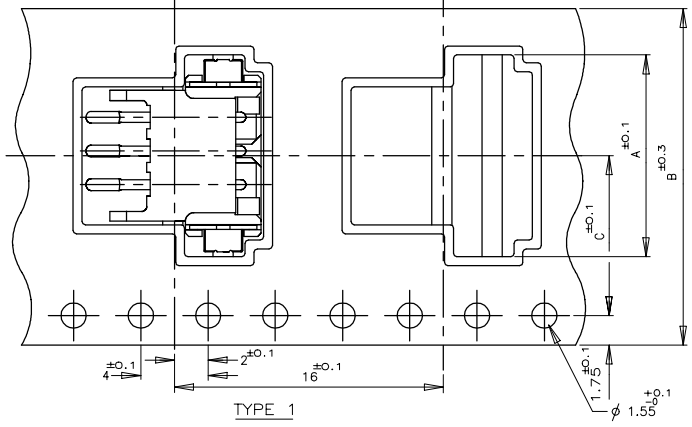
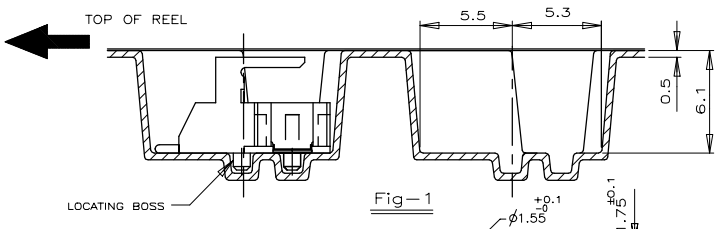


THIS DRAWING IS UNPUBLISHED. RELEASED FOR PUBLICATION  
 © COPYRIGHT - By - ALL RIGHTS RESERVED.

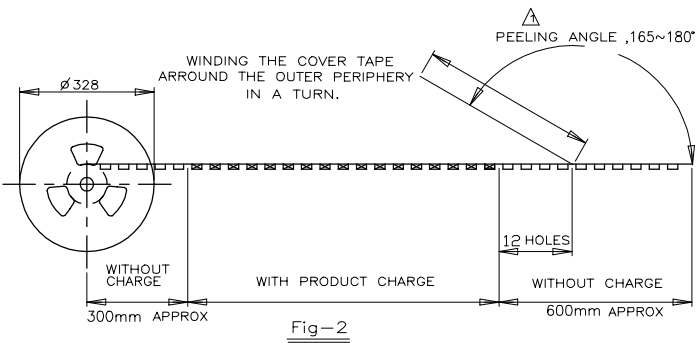
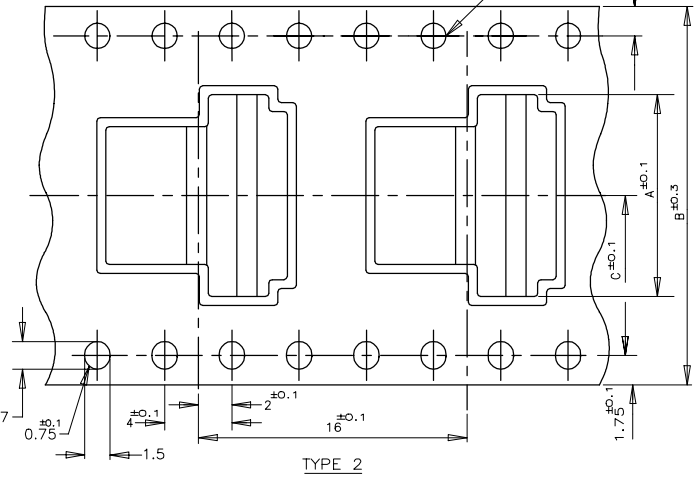
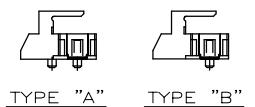
LOC	DIST	REVISIONS					
ES	00	P	LTR	DESCRIPTION	DATE	DWN	APVD
		C4	ECR-21-101067		09APR2021	T.Q	N.S



(AS SHOWN : 3P)



TYPE 3 FOR 7P ONLY  
 THREE KINDS OF DIFFERENT POCKETS AS 1 SET  
 USED FOR 7P ONLY



NATURAL	WITH	TYPE 2	B	20.2	44	24	500	9	1-292173-9
			B	20.2	44	22		8	1- -8
		TYPE 3	B	14.2	32	20		7	1- -7
		TYPE 2	B	14.2	32	18		6	1- -6
BLACK	WITHOUT CHARGE	TYPE 1	B	11.5	24	16		5	1- -5
			A			14		4	1- -4
		TYPE 2	B	11.5	24	10		2	1- -2
			A			12		3	0- -3
	WITH	TYPE 2	B	20.2	44	24		9	0- -9
			B	20.2	44	22		8	0- -8
		TYPE 3	B	14.2	32	20		7	0- -7
			B	14.2	32	18		6	0- -6
WITH	TYPE 1	B	11.5	24	16		5	0- -5	
		B			14		4	0- -4	
	TYPE 2	A			12		3	0- -3	
		A	11.5	24	10	500	2	0-292173-2	

TOLERANCE UNLESS OTHERWISE SPECIFIED:

10>	±0.2
30>>10	±0.25
100>>30	±0.3
ANGLE	±3'

NOTES:  
 ▲ PEELING RESISTANCE : 0.196N-0.686N (20gf-70gf)  
 SPEED : 300mm/min

THIS DRAWING IS A CONTROLLED DOCUMENT.

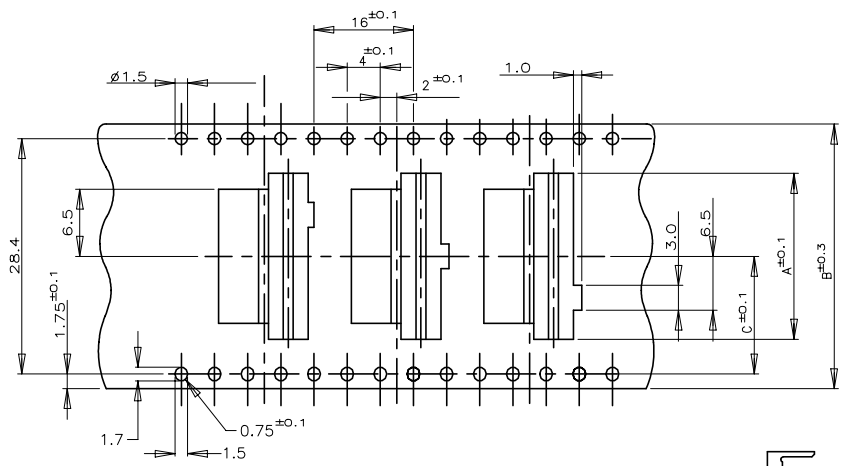
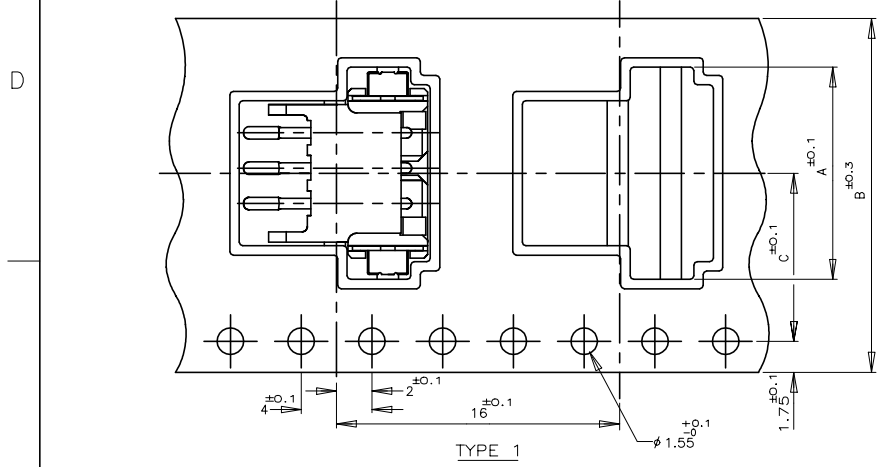
DIMENSIONS: MM	TOLERANCES UNLESS OTHERWISE SPECIFIED:	DWN JACK HOU 21SEP10
	0 PLC ±	CHK MARTIN LI 21SEP10
	1 PLC ±	APVD STEVEN YAO 21SEP10
	2 PLC ±	PRODUCT SPEC
	3 PLC ±	APPLICATION SPEC
MATERIAL	FINISH	WEIGHT

**STE** TE Connectivity

ON TAPING (EMBOSS)  
 TE CT CONNECTOR POST HEADER ASS'Y  
 (BOX-H SMT TYPE W/BOSS & TAIL)

SIZE	CAGE CODE	DRAWING NO	RESTRICTED TO
A3	00779	C-292173	-
CUSTOMER DRAWING		SCALE	SHEET 1 of 6 REV C4

(AS SHOWN : 3P)



THREE KINDS OF DIFFERENT POCKETS AS 1 SET  
 USED FOR 7P ONLY

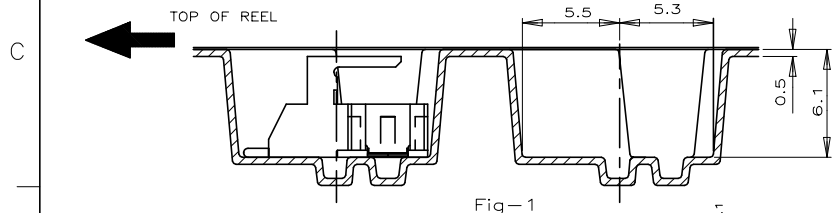
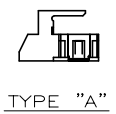
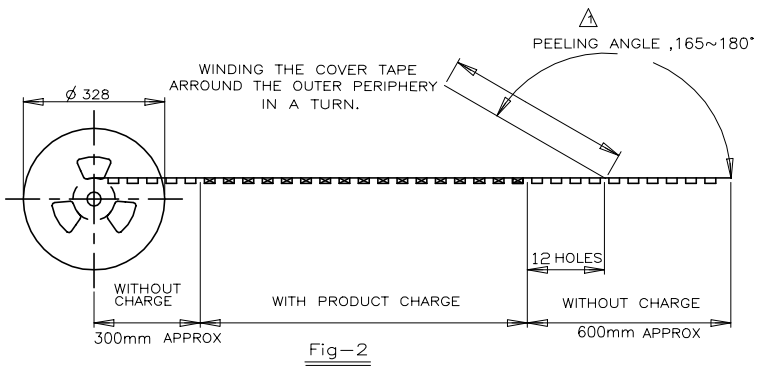
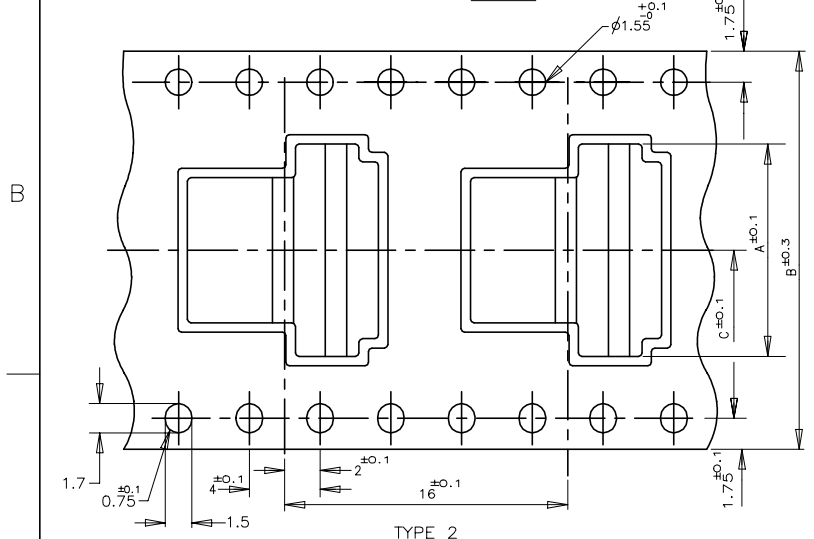


Fig-1



COLOR	PLATE	TAPE TYPE	TYPE OF BOSS	C	B	A	QTY/ REEL	Pos	TAPING
NATURAL	WITH	TYPE 2	A	20.2	44	24	500	9	3-29217
			A	20.2	44	22		8	3-
	TYPE 3	A	14.2	32	20		7	3-	
		A	14.2	32	18		6	3-	
	TYPE 1	A	11.5	24	16		5	3-	
		A			14		4	3-	
BLACK	WITH	TYPE 2	A	20.2	44	24		9	2-
			A	20.2	44	22		8	2-
	TYPE 3	A	14.2	32	20		7	2-	
		A	14.2	32	18		6	2-	
	TYPE 1	A	11.5	24	16		5	2-	
		A			14		4	2-	
WITH	A	11.5	24	10		500	2	2-29217	

TOLERANCE UNLESS OTHERWISE SPECIFIED:

10 >	±0.2
30 > * > 10	±0.25
100 > * > 30	±0.3
ANGLE	±3°

NOTES:  
 PEELING RESISTANCE : 0.196N-0.686N (20gf-70gf)  
 SPEED : 300mm/min

THIS DRAWING IS A CONTROLLED DOCUMENT.

DIMENSIONS: MM

TOLERANCES UNLESS OTHERWISE SPECIFIED:

0 PLC	±
1 PLC	±
2 PLC	±
3 PLC	±
4 PLC	±
ANGLES	±
FINISH	

MATERIAL

DWN  
 CHK  
 APVD  
 PRODUCT SPEC  
 APPLICATION SPEC  
 WEIGHT

CUSTOMER DRAWING

**STE** TE Connectivity

ON TAPING (EMBOSS)  
 TE CT CONNECTOR POST HEADER ASS'Y  
 (BOX-H SMT TYPE W/O BOSS & W/ TAIL)

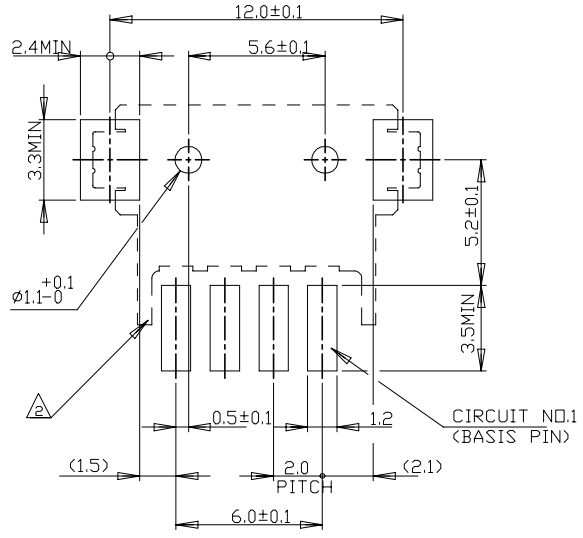
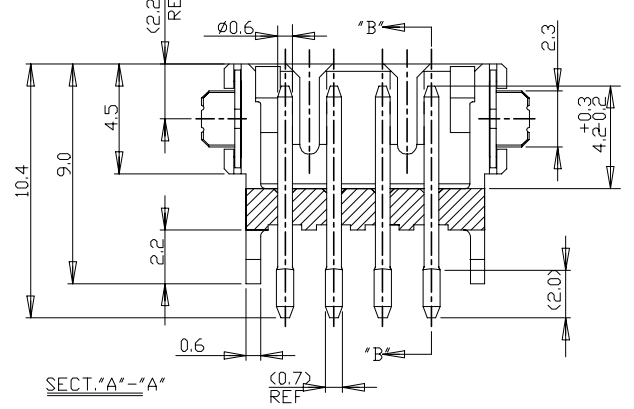
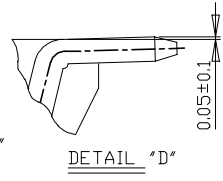
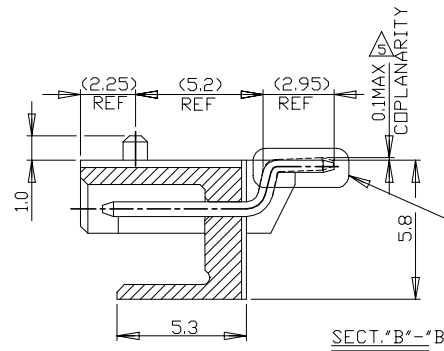
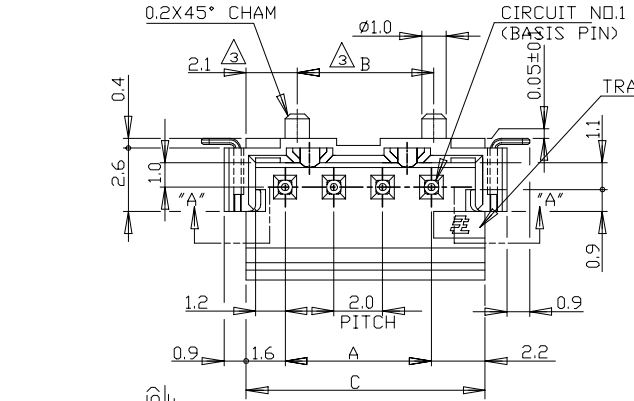
NAME  
 SIZE A3  
 CAGE CODE 00779  
 DRAWING NO C-292173

RESTRICTED

SCALE // SHEET 2 of 6 REV C

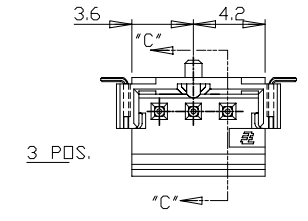
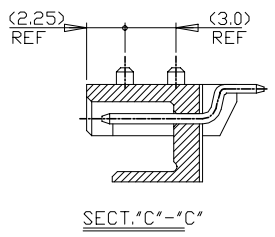
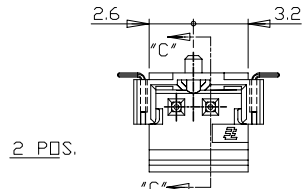
THIS DRAWING IS UNPUBLISHED. RELEASED FOR PUBLICATION  
 © COPYRIGHT - By - ALL RIGHTS RESERVED.

LOC	DIST	REVISIONS					
ES	00	P	LTR	DESCRIPTION	DATE	DWN	APVD
		-		SEE SHEET 1	-	-	-



NOTES:  
 1. MATERIAL:HSG-NYLON (UL94V-0)  
 COLOR:BLACK ,NATURAL  
 POST: TIN BRASS  
 TAIL: TIN BRASS  
 OCCUPANT AREA ON PC BOARD  
 4P&ABOVE POS.  
 2P&3P  
 TO BE MEASURED WITH CONNECTOR PLACED  
 ON HORIZONTAL DATUM SURFACE ,FLDAT OF  
 SOLDER TINE AND TAIL FROM DATUM  
 SURFACE IS 0.1mm MAX

16.0	15.6	19.8	22.0	9	1-292173-9	292173-9
14.0	13.6	17.8	20.0	8	1- -8	-8
12.0	11.6	15.8	18.0	7	1- -7	-7
10.0	9.6	13.8	16.0	6	1- -6	-6
8.0	7.6	11.8	14.0	5	1- -5	-5
6.0	5.6	9.8	---	4	1- -4	-4
4.0	---	7.8	---	3	1- -3	-3
2.0	---	5.8	---	2	1-292173-2	292173-2
A	B	C	D	Pos.	NATURAL	BLACK
P/N						



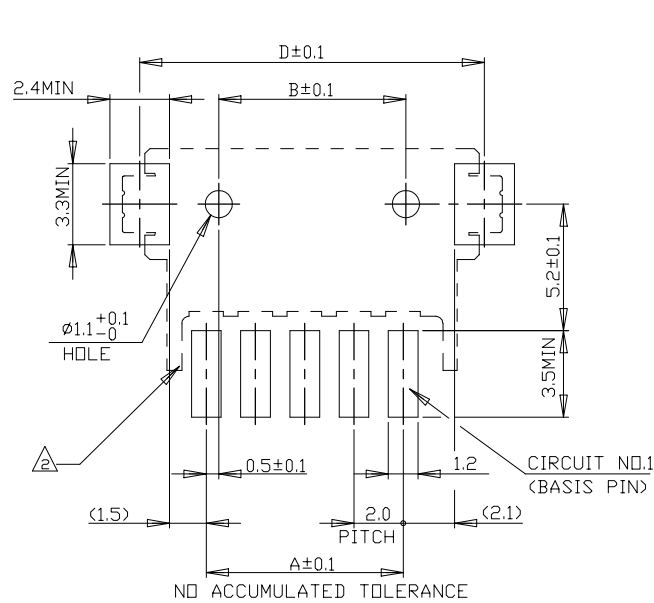
TOLERANCES UNLESS OTHERWISE SPECIFIED:  
 10>\* : ±0.2  
 30>\* >10 : ±0.25  
 100>\* >30 : ±0.3  
 ANGEL : ±3°

THIS DRAWING IS A CONTROLLED DOCUMENT.		DWN	TE Connectivity			
DIMENSIONS: MM		CHK	NAME			
TOLERANCES UNLESS OTHERWISE SPECIFIED:		APVD	SMT TYPE POST HDR ASS'Y (H) WITH BOSS & TAIL TYPE (TE CT CONN. 2mm PITCH)			
0 PLC ±		PRODUCT SPEC		DRAWING NO		RESTRICTED TO
1 PLC ±		108-60016		C-292173		
2 PLC ±		APPLICATION SPEC		SIZE	CAGE CODE	
3 PLC ±		-		A3	00779	
4 PLC ±		-		CUSTOMER DRAWING		
ANGLES ±		WEIGHT		SCALE	SHEET	REV
FINISH		-		5:1	3 OF 6	C4
SEE NOTE		SEE NOTE				

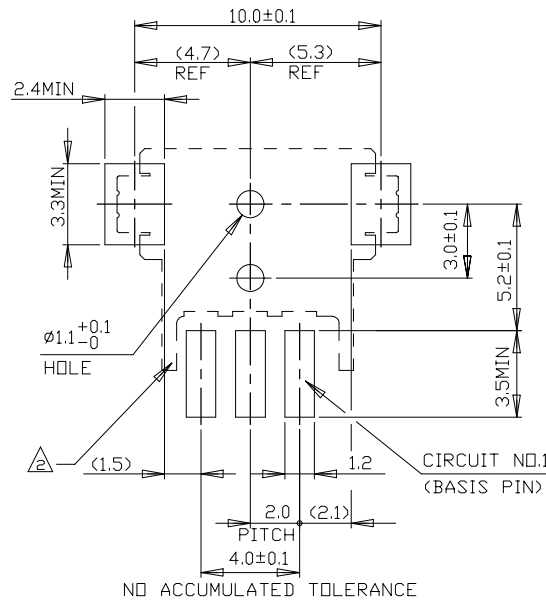
THIS DRAWING IS UNPUBLISHED. RELEASED FOR PUBLICATION  
 © COPYRIGHT - By - ALL RIGHTS RESERVED.

LOC	DIST	REVISIONS					
ES	00	P	LTR	DESCRIPTION	DATE	DWN	APVD
		-	-	SEE SHEET 1	-	-	-

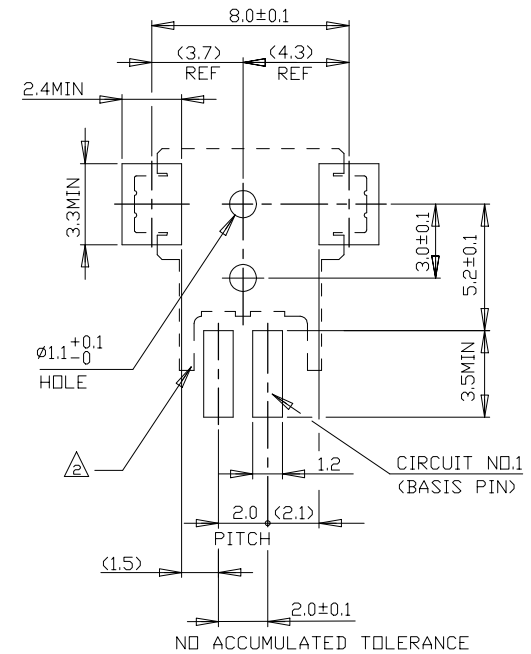
LAYOUT FOR 292173-X,1-292173-X



5 PDS. & ABOVE PDS.



3 PDS.



2 PDS.

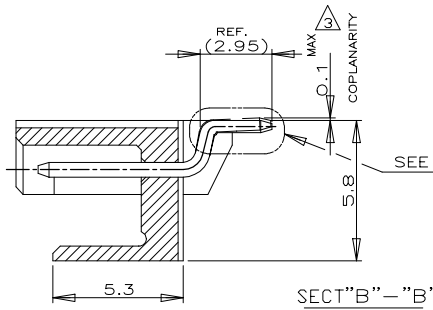
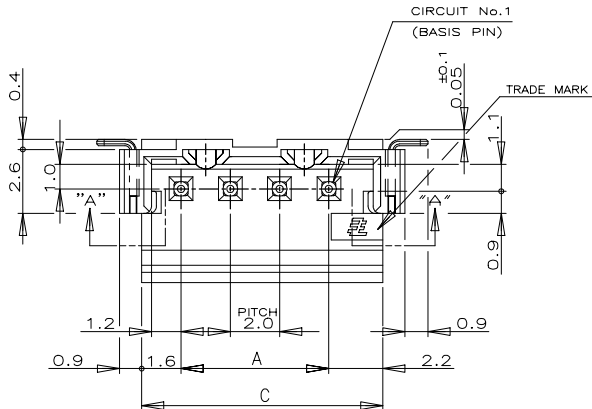
RECOMMENDED P.C. BOARD LAYOUT  
 (P.C.B THK:0.8mm MIN)

THIS DRAWING IS A CONTROLLED DOCUMENT.		DWN			
DIMENSIONS: MM		CHK			
TOLERANCES UNLESS OTHERWISE SPECIFIED:		APVD	NAME		
0 PLC ±		PRODUCT SPEC	SMT TYPE POST HDR ASS'Y (H)		
1 PLC ±		APPLICATION SPEC	WITH BOSS & TAIL TYPE		
2 PLC ±		WEIGHT	SIZE	CAGE CODE	DRAWING NO
3 PLC ±			A3	00779	C-292173
4 PLC ±		CUSTOMER DRAWING	SCALE 5:1		SHEET 4 OF 6
ANGLES ±					REV C4
FINISH					



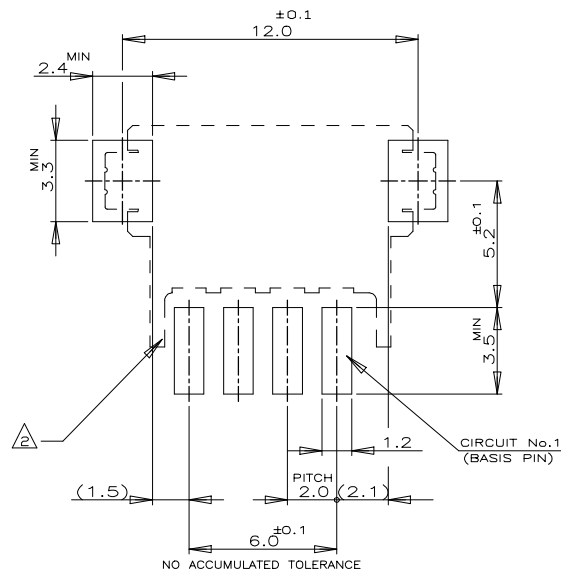
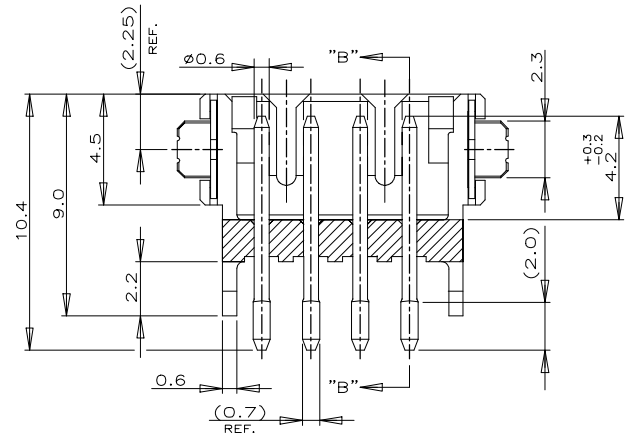
THIS DRAWING IS UNPUBLISHED. RELEASED FOR PUBLICATION  
 © COPYRIGHT - By - ALL RIGHTS RESERVED.

LOC	DIST	REVISIONS					
ES	00	P	LTR	DESCRIPTION	DATE	DWN	APVD
		-	-	SEE SHEET 1	-	-	-

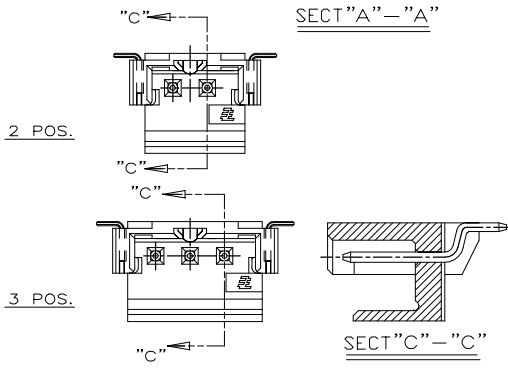


(AS SHOWN :4P)

NOTES:  
 1. MATERIAL : HSG-NYLON UL94V-0)  
 COLOR:BLACK,NATURAL  
 POST:TIN BRASS  
 TAIL: TIN BRASS  
 2 OCCUPANT AREA ON PC BOARD  
 3 TO BE MEASURED WITH CONNECTOR PLACED ON HORIZONTAL DATUM SURFACE,FLOAT OF SOLDER TINE AND TAIL FROM DATUM SURFACE IS 0.1mm MAX



16.0	19.8	22.0	9	3-292173-9	2-292173-9
14.0	17.8	20.0	8	3- -8	2- -8
12.0	15.8	18.0	7	3- -7	2- -7
10.0	13.8	16.0	6	3- -6	2- -6
8.0	11.8	14.0	5	3- -5	2- -5
6.0	9.8	--	4	3- -4	2- -4
4.0	7.8	--	3	3- -3	2- -3
2.0	5.8	--	2	3-292173-2	2-292173-2
A	C	D	Pos.	NATURAL	BLACK
P/N					



TOLERANCES UNLESS OTHERWISE SPECIFIED:  
 10>\* : ±0.2  
 30>\*10 : ±0.25  
 100>\*30 : ±0.3  
 ANGEL : ±3°

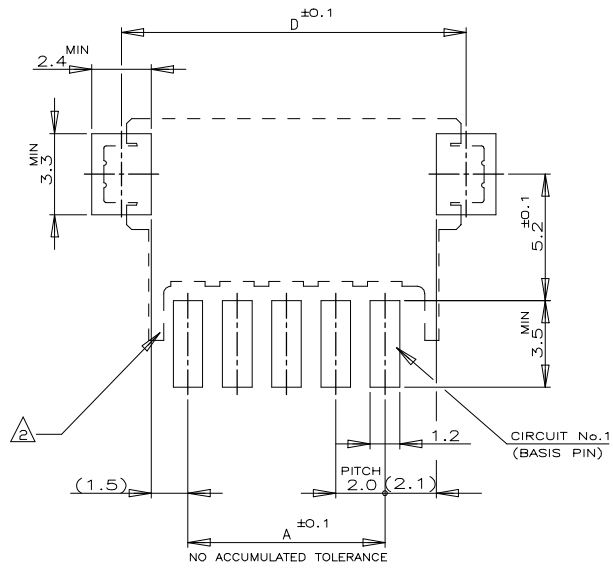
THIS DRAWING IS A CONTROLLED DOCUMENT.

DIMENSIONS: MM	TOLERANCES UNLESS OTHERWISE SPECIFIED: 0 PLC ± 1 PLC ± 2 PLC ± 3 PLC ± 4 PLC ± ANGLES ±	DWN CHK APVD	NAME
MATERIAL: SEE NOTE	FINISH: SEE NOTE	PRODUCT SPEC: 108-60016	TE Connectivity
		APPLICATION SPEC	SMT TYPE POST HDR ASS'Y (BOX-H) W/O BOSS,WITH TAIL TYPE (TE CT CONN. 2mm PITCH)
		WEIGHT: -	SIZE: A3
		CUSTOMER DRAWING	CAGE CODE: 00779
		SCALE: 5:1	DRAWING NO: C-292173
		SHEET: 5 of 6	RESTRICTED TO: -
			REV: C4

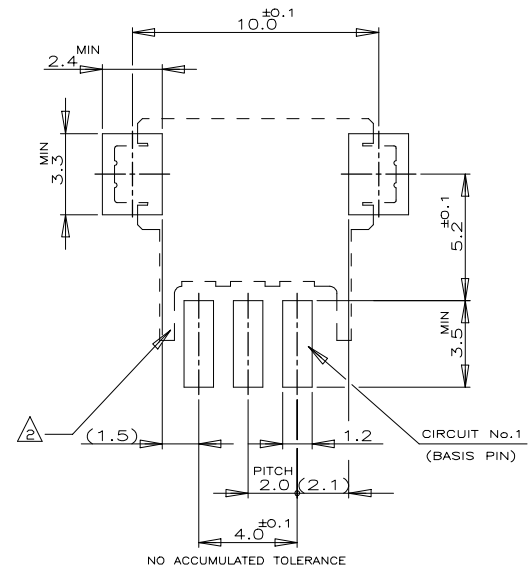
THIS DRAWING IS UNPUBLISHED. RELEASED FOR PUBLICATION  
 © COPYRIGHT - By - ALL RIGHTS RESERVED.

LOC	DIST	REVISIONS					
ES	00	P	LTR	DESCRIPTION	DATE	DWN	APVD
		-		SEE SHEET 1	-	-	-

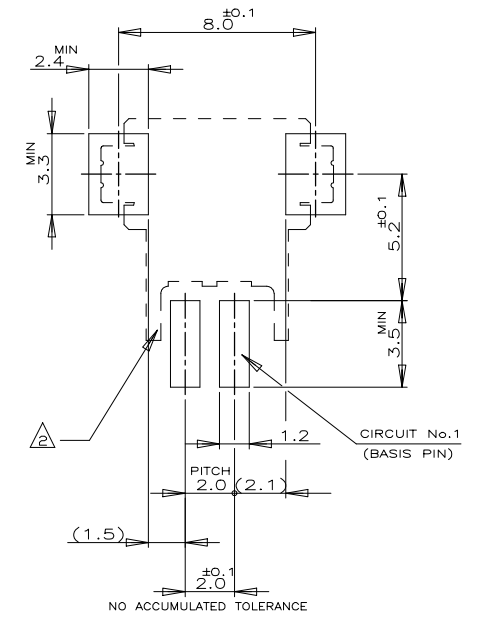
LAYOUT FOR 2-292173-X,3-2-292173-X



5 POS & ABOVE POS



3 POS



2 POS

RECOMENOD P.C.BOARD LAYOUT  
 (P.C.B THK:0.8mm MIN)

THIS DRAWING IS A CONTROLLED DOCUMENT.		DWN	-	 TE Connectivity	NAME SMT TYPE POST HDR ASS'Y (H) W/O,WITH TAIL TYPE (TE CT CONN. 2mm PITCH)
DIMENSIONS:	TOLERANCES UNLESS OTHERWISE SPECIFIED:	CHK	-		
MM	0 PLC ±	APVD	-		
	1 PLC ±	PRODUCT SPEC	-		
MATERIAL	FINISH	APPLICATION SPEC	-	SIZE	A3
		WEIGHT	-	CAGE CODE	00779
		CUSTOMER DRAWING		DRAWING NO	C-292173
				RESTRICTED TO	
		SCALE	5:1	SHEET	6 OF 6
				REV	C4

## X-ON Electronics

Largest Supplier of Electrical and Electronic Components

*Click to view similar products for [Headers & Wire Housings](#) category:*

*Click to view products by [TE Connectivity](#) manufacturer:*

Other Similar products are found below :

[892-18-020-10-001101](#) [58102-G61-06LF](#) [582553-1](#) [0009485154](#) [009176003701906](#) [0050291907](#) [LY20-4P-DT1-P1E-BR](#) [02.125.8002.8](#)  
[609-3404](#) [61062-3](#) [61082-181009](#) [622-3653LF](#) [63453-116](#) [636-1030](#) [636-1427](#) [636-3427](#) [636-4007](#) [641938-9](#) [641991-4](#) [644827-2](#) [65817-](#)  
[010LF](#) [65817-015LF](#) [65863-015LF](#) [66207-023LF](#) [67095-007LF](#) [67601157](#) [68645-018](#) [68648-049](#) [70.362.1628.0](#) [70-4210](#) [70-4226B](#) [70-](#)  
[4853B](#) [707-5020](#) [707-5028](#) [71.350.2428.0](#) [71918-208LF](#) [71961-016LF](#) [733-134](#) [733-162](#) [754199-000](#) [760-3052](#) [787-8014-00](#) [79531-3000](#)  
[FCN-360C032-B](#) [FCN-367T-T012/H](#) [FCN-723D010/2](#) [80.063.4001.1](#) [800-90-001-10-001000](#) [800-90-010-10-002000](#) [801-43-002-10-013000](#)