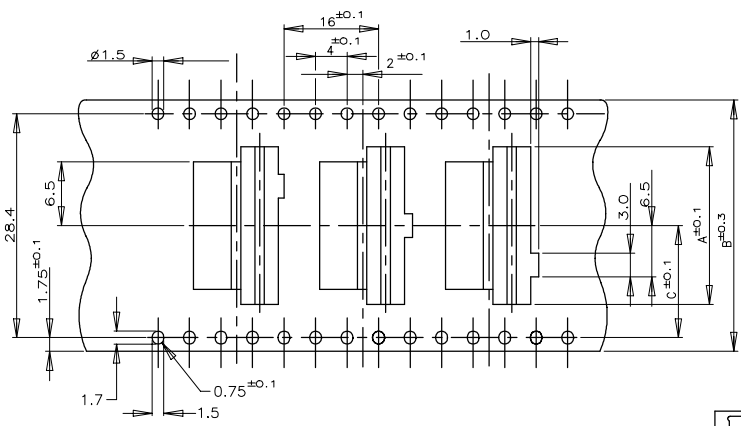
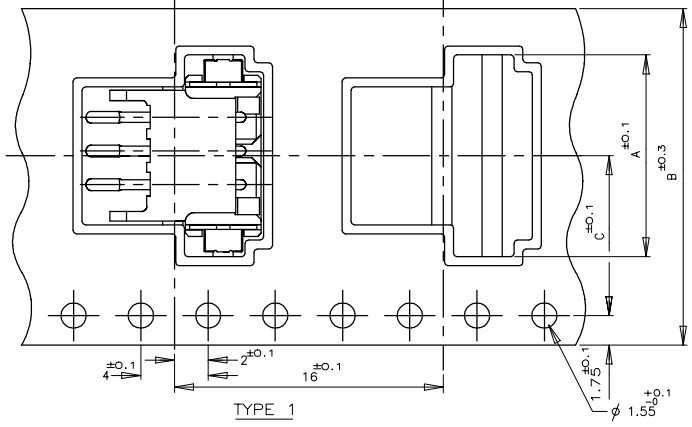


THIS DRAWING IS UNPUBLISHED. RELEASED FOR PUBLICATION  
 © COPYRIGHT - By - ALL RIGHTS RESERVED.

LOC	DIST	REVISIONS					
ES	00	P	LTR	DESCRIPTION	DATE	DWN	APVD
		C4	ECR-21-101067		09APR2021	T.Q	N.S

(AS SHOWN : 3P)



TYPE 3 FOR 7P ONLY  
 THREE KINDS OF DIFFERENT POCKETS AS 1 SET  
 USED FOR 7P ONLY

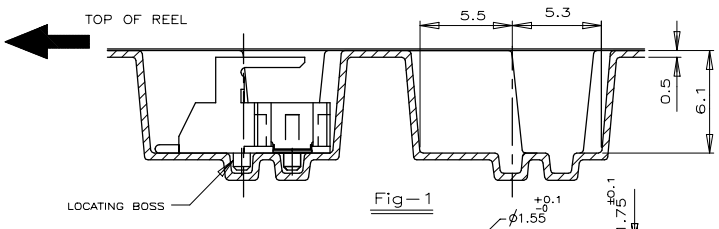
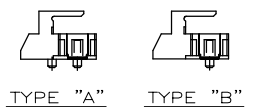
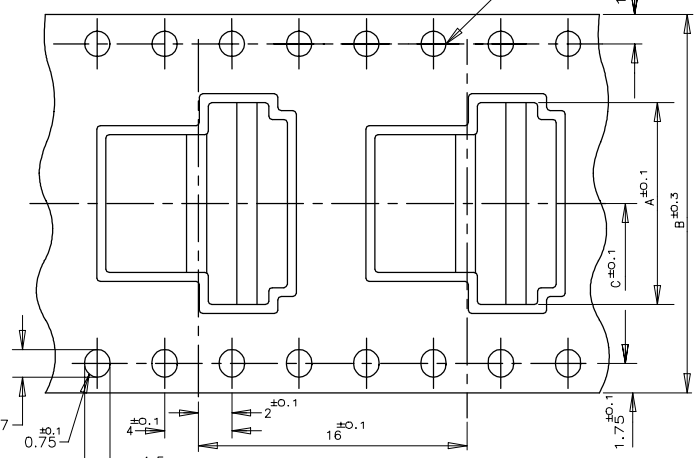


Fig-1



TYPE 2

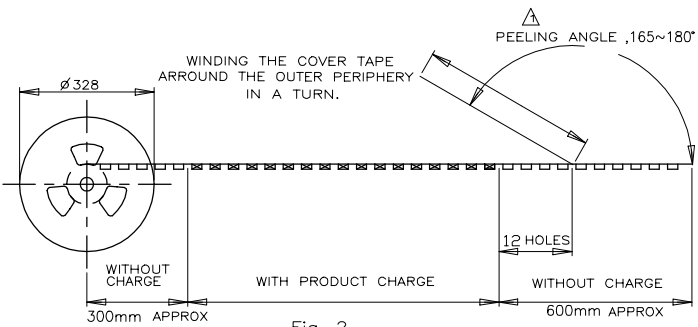


Fig-2

NATURAL	WITH	TYPE 2	B	20.2	44	24	500	9	1-292173-9
			B	20.2	44	22		8	1- -8
		TYPE 3	B	14.2	32	20		7	1- -7
		TYPE 2	B	14.2	32	18		6	1- -6
BLACK	WITHOUT CHARGE	TYPE 1	B	11.5	24	16		5	1- -5
			A			14		4	1- -4
		A	11.5	24	10		2	1- -2	
		B	20.2	44	24		9	0- -9	
	WITH PRODUCT CHARGE	TYPE 2	B	20.2	44	22		8	0- -8
			TYPE 3	B	14.2	32	20		7
		TYPE 2	B	14.2	32	18		6	0- -6
			B	11.5	24	16		5	0- -5
TYPE 1	B			14		4	0- -4		
	A			12		3	0- -3		
WITH		A	11.5	24	10	500	2	0-292173-2	

TOLERANCE UNLESS OTHERWISE SPECIFIED:

10*	±0.2
30>>10	±0.25
100>>30	±0.3
ANGLE	±3'

NOTES:  
 ▲ PEELING RESISTANCE : 0.196N-0.686N (20gf-70gf)  
 SPEED : 300mm/min

THIS DRAWING IS A CONTROLLED DOCUMENT.

DIMENSIONS: MM	TOLERANCES UNLESS OTHERWISE SPECIFIED:	DWN JACK HOU 21SEP10
	0 PLC ±	CHK MARTIN LI 21SEP10
	1 PLC ±	APVD STEVEN YAO 21SEP10
	2 PLC ±	PRODUCT SPEC
	3 PLC ±	APPLICATION SPEC
	4 PLC ±	WEIGHT
MATERIAL	FINISH	CUSTOMER DRAWING

**STE** TE Connectivity

ON TAPING (EMBOSS)  
 TE CT CONNECTOR POST HEADER ASS'Y  
 (BOX-H SMT TYPE W/BOSS & TAIL)

SIZE	CAGE CODE	DRAWING NO	RESTRICTED TO
A3	00779	C-292173	-
SCALE		SHEET	REV
++		1 of 6	C4

4

3

2

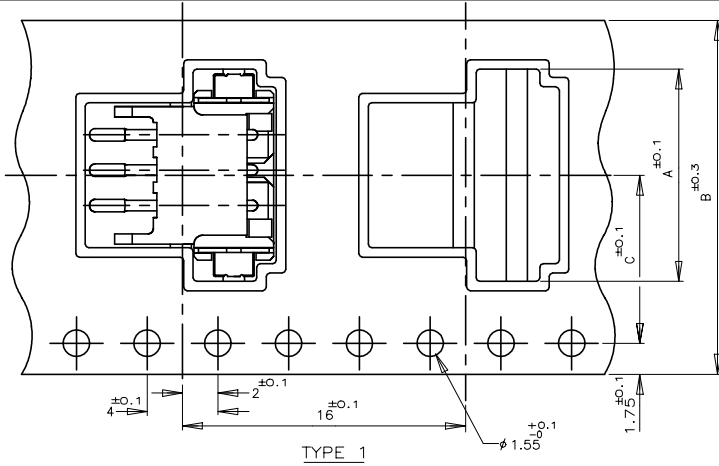
1

THIS DRAWING IS UNPUBLISHED. RELEASED FOR PUBLICATION  
 © COPYRIGHT - By - ALL RIGHTS RESERVED.

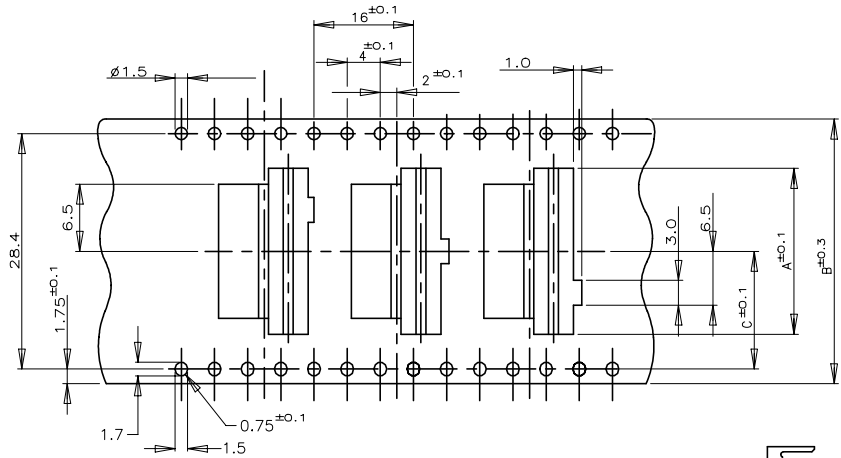
LOC ES DIST 00

P		LTR		DESCRIPTION	DATE	DWN	A
-		-		SEE SHEET 1	-	-	-

(AS SHOWN : 3P)



TYPE 1



TYPE 3 FOR 7P ONLY

THREE KINDS OF DIFFERENT POCKETS AS 1 SET  
 USED FOR 7P ONLY

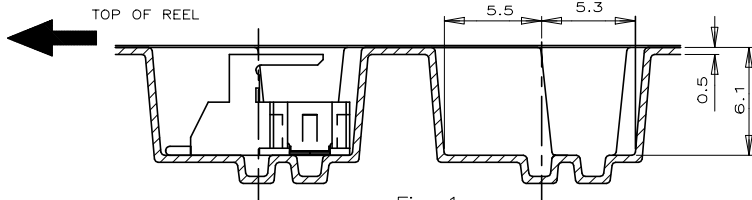
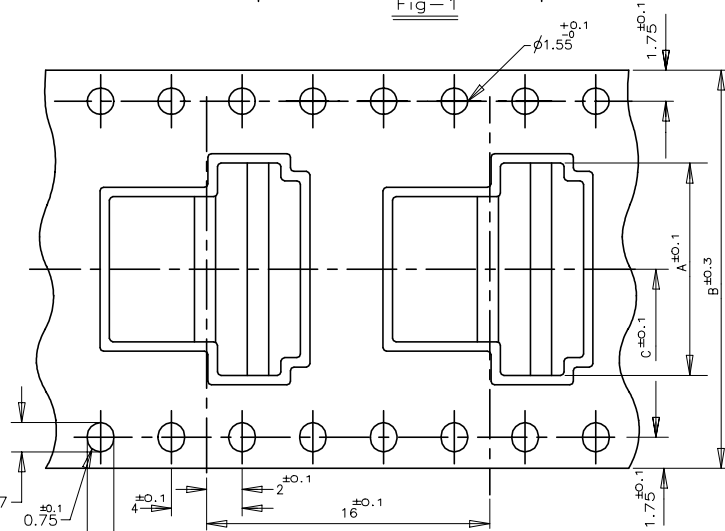


Fig-1



TYPE 2

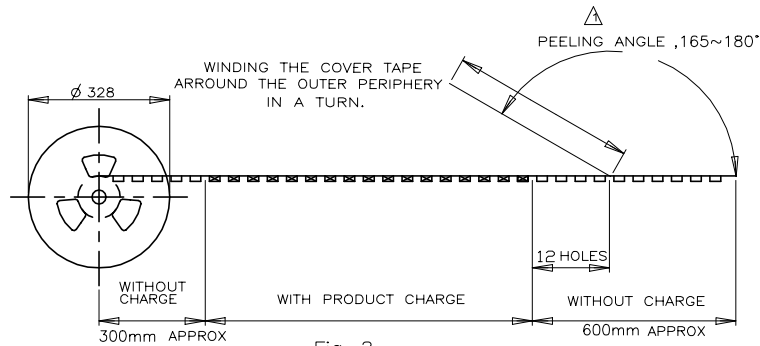


Fig-2

COLOR	PLATE	WITH	TAPE TYPE	TYPE OF BOSS	C			B			A			QTY/ REEL	Pos	TAPING
					20.2	44	24	20.2	44	22	14.2	32	20			
NATURAL	TYPE 2	A	20.2	44	24	500	9	3-29217	8	3-	3-	3-	3-	3-	3-	3-
	TYPE 2	A	14.2	32	18	6	3-	3-	3-	3-	3-	3-	3-	3-		
															TYPE 1	A
	TYPE 1	A	11.5	24	14	4	3-	3-	3-	3-	3-	3-	3-	3-		
															TYPE 1	A
TYPE 2	A	20.2	44	24	9	2-	2-	2-	2-	2-	2-	2-	2-	2-		
															TYPE 3	A
TYPE 2	A	14.2	32	20	7	2-	2-	2-	2-	2-	2-	2-	2-	2-		
															TYPE 2	A
TYPE 1	A	11.5	24	16	5	2-	2-	2-	2-	2-	2-	2-	2-	2-		
															TYPE 1	A
TYPE 1	A	11.5	24	10	2	2-	2-	2-	2-	2-	2-	2-	2-	2-		
															WITH	A

TOLERANCE UNLESS OTHERWISE SPECIFIED:

10 >	±0.2
30 > * > 10	±0.25
100 > * > 30	±0.3
ANGLE	±3°

NOTES:

▲ PEELING RESISTANCE : 0.196N-0.686N (20gf-70gf)  
 SPEED : 300mm/min

THIS DRAWING IS A CONTROLLED DOCUMENT.

DIMENSIONS: MM	TOLERANCES UNLESS OTHERWISE SPECIFIED:	DWN	CHK
	0 PLC ±	APVD	PRODUCT SPEC
	1 PLC ±	APPLICATION SPEC	WEIGHT
	2 PLC ±	CUSTOMER DRAWING	
	3 PLC ±		
4 PLC ±			
ANGLES ±			
MATERIAL	FINISH		



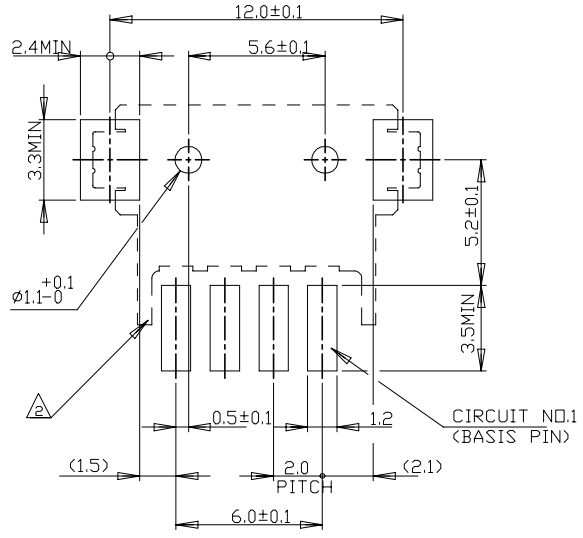
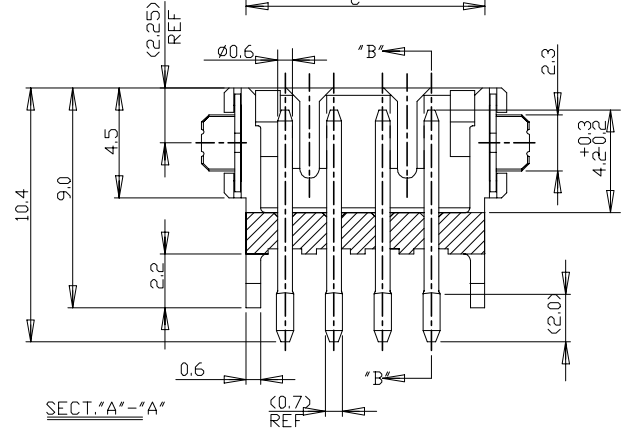
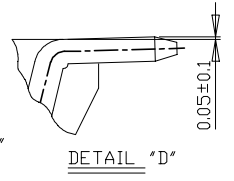
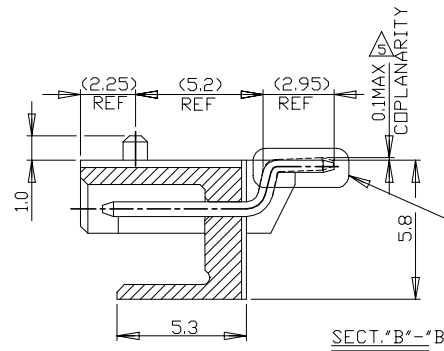
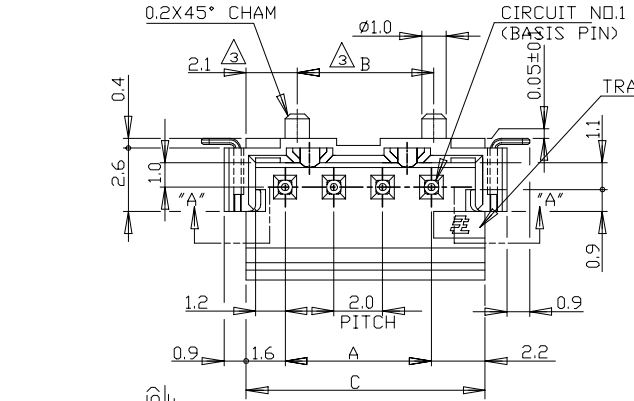
ON TAPING (EMBOSS)  
 TE CT CONNECTOR POST HEADER ASS'Y  
 (BOX-H SMT TYPE W/O BOSS & W/ TAIL)

SIZE A3	CAGE CODE 00779	DRAWING NO. C-292173	RESTRICTED
---------	-----------------	----------------------	------------

SCALE // SHEET 2 of 6 REV C

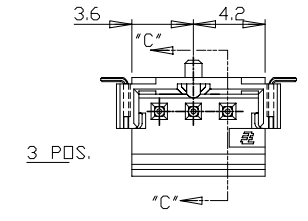
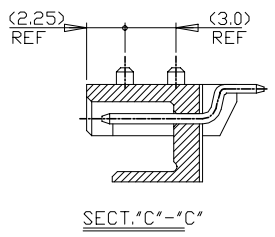
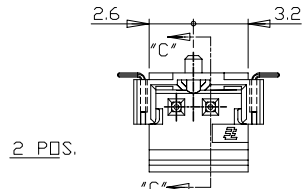
THIS DRAWING IS UNPUBLISHED. RELEASED FOR PUBLICATION  
 © COPYRIGHT - By - ALL RIGHTS RESERVED.

LOC	DIST	REVISIONS					
ES	00	P	LTR	DESCRIPTION	DATE	DWN	APVD
		-		SEE SHEET 1	-	-	-



NOTES:  
 1. MATERIAL:HSG-NYLON (UL94V-0)  
 COLOR:BLACK ,NATURAL  
 POST: TIN BRASS  
 TAIL: TIN BRASS  
 OCCUPANT AREA ON PC BOARD  
 4P&ABOVE POS.  
 2P&3P  
 TO BE MEASURED WITH CONNECTOR PLACED  
 ON HORIZONTAL DATUM SURFACE ,FLDAT OF  
 SOLDER TINE AND TAIL FROM DATUM  
 SURFACE IS 0.1mm MAX

16.0	15.6	19.8	22.0	9	1-292173-9	292173-9
14.0	13.6	17.8	20.0	8	1- -8	-8
12.0	11.6	15.8	18.0	7	1- -7	-7
10.0	9.6	13.8	16.0	6	1- -6	-6
8.0	7.6	11.8	14.0	5	1- -5	-5
6.0	5.6	9.8	---	4	1- -4	-4
4.0	---	7.8	---	3	1- -3	-3
2.0	---	5.8	---	2	1-292173-2	292173-2
A	B	C	D	Pos.	NATURAL	BLACK
P/N						



TOLERANCES UNLESS OTHERWISE SPECIFIED:  
 10>\* : ±0.2  
 30>\* >10 : ±0.25  
 100>\* >30 : ±0.3  
 ANGEL : ±3°

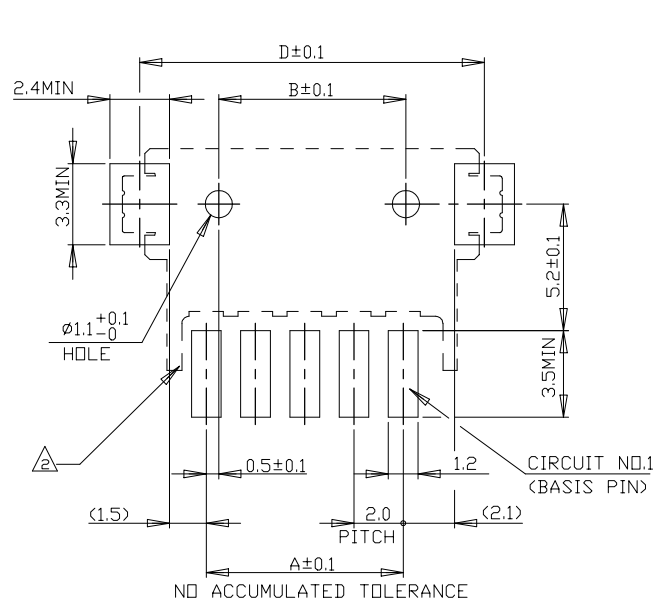
THIS DRAWING IS A CONTROLLED DOCUMENT.

DIMENSIONS: MM	TOLERANCES UNLESS OTHERWISE SPECIFIED:	DWN	TE Connectivity
0 PLC ±	1 PLC ±	CHK	NAME
2 PLC ±	3 PLC ±	APVD	PRODUCT SPEC
4 PLC ±	ANGLES ±		108-60016
MATERIAL	FINISH	WEIGHT	APPLICATION SPEC
SEE NOTE	SEE NOTE		SIZE CAGE CODE DRAWING NO RESTRICTED TO
			A3 00779 C-292173
			CUSTOMER DRAWING SCALE 5:1 SHEET 3 OF 6 REV C4

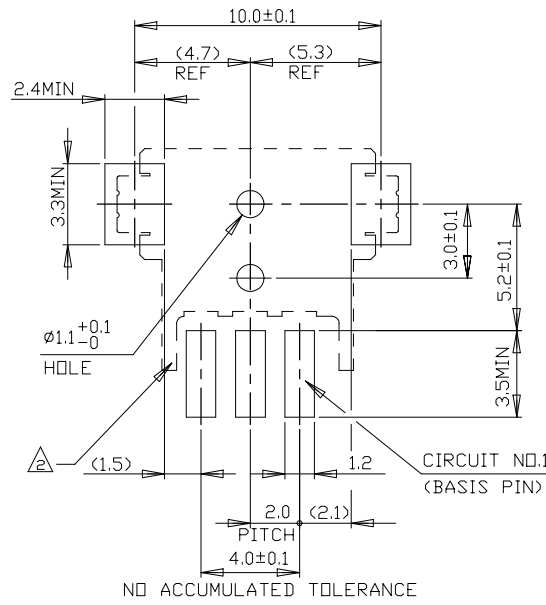
THIS DRAWING IS UNPUBLISHED. RELEASED FOR PUBLICATION  
 © COPYRIGHT - By - ALL RIGHTS RESERVED.

LOC	DIST	REVISIONS					
ES	00	P	LTR	DESCRIPTION	DATE	DWN	APVD
		-	-	SEE SHEET 1	-	-	-

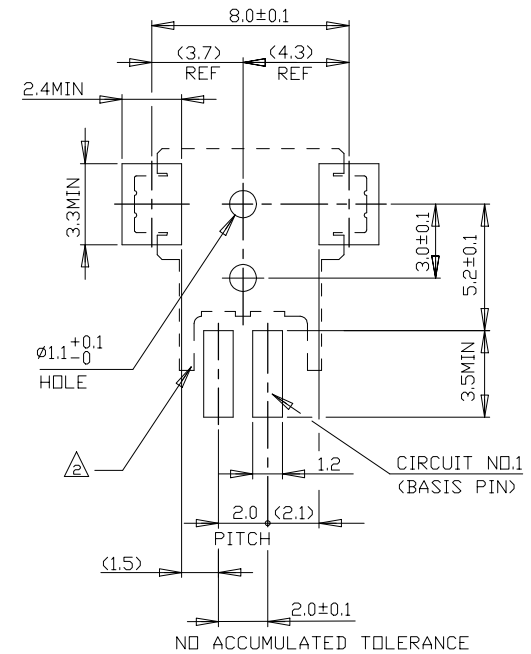
LAYOUT FOR 292173-X,1-292173-X



5 PDS. & ABOVE PDS.



3 PDS.



2 PDS.

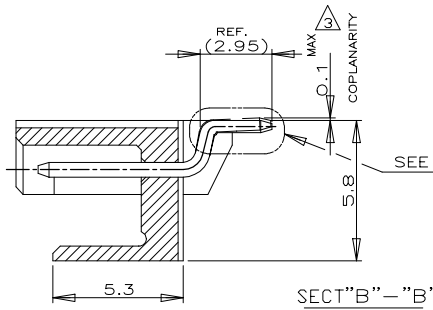
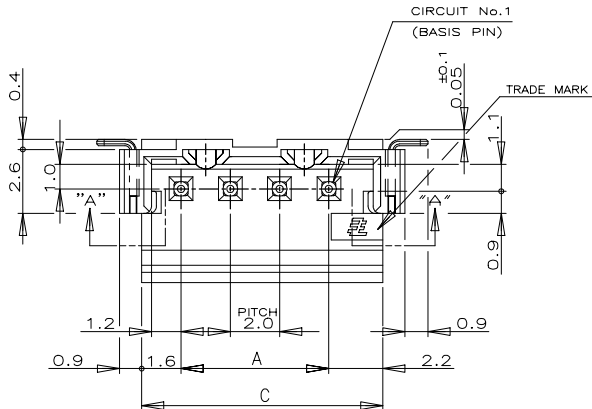
RECOMMENDED P.C. BOARD LAYOUT  
 (P.C.B THK:0.8mm MIN)

THIS DRAWING IS A CONTROLLED DOCUMENT.		DWN			
DIMENSIONS: MM		CHK			
TOLERANCES UNLESS OTHERWISE SPECIFIED:		APVD	NAME		
0 PLC ±		PRODUCT SPEC	SMT TYPE POST HDR ASS'Y (H)		
1 PLC ±		APPLICATION SPEC	WITH BOSS & TAIL TYPE		
2 PLC ±		WEIGHT	SIZE	CAGE CODE	DRAWING NO
3 PLC ±			A3	00779	C-292173
4 PLC ±		CUSTOMER DRAWING	SCALE 5:1		SHEET 4 OF 6
ANGLES ±					REV C4
FINISH					



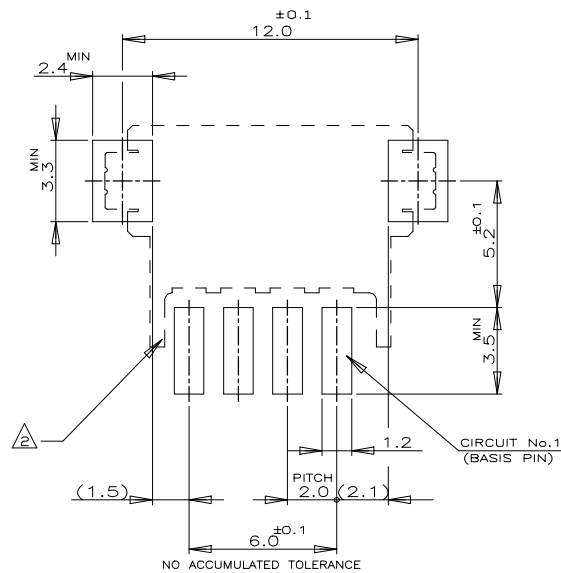
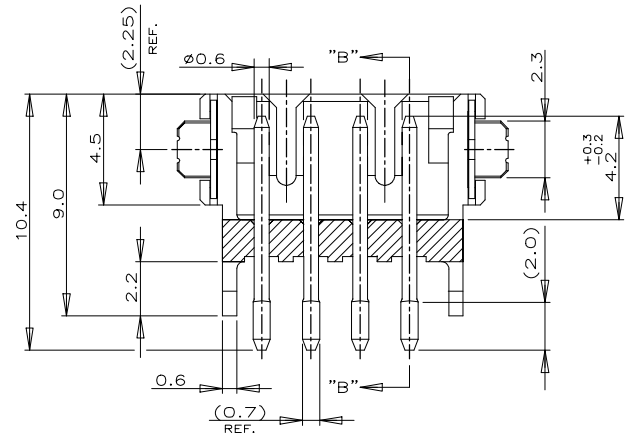
THIS DRAWING IS UNPUBLISHED. RELEASED FOR PUBLICATION  
 © COPYRIGHT - By - ALL RIGHTS RESERVED.

LOC	DIST	REVISIONS					
ES	00	P	LTR	DESCRIPTION	DATE	DWN	APVD
		-	-	SEE SHEET 1	-	-	-



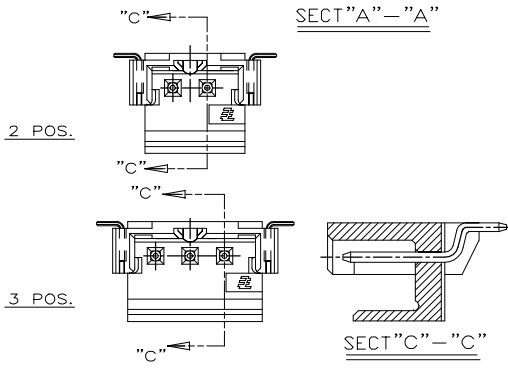
(AS SHOWN :4P)

- NOTES:
- MATERIAL : HSG-NYLON UL94V-0  
 COLOR:BLACK,NATURAL  
 POST:TIN BRASS  
 TAIL: TIN BRASS
  - OCCUPANT AREA ON PC BOARD  
 TO BE MEASURED WITH CONNECTOR PLACED  
 ON HORIZONTAL DATUM SURFACE, FLOAT OF  
 SOLDER TINE AND TAIL FROM DATUM  
 SURFACE IS 0.1mm MAX



RECOMENOE P.C.BOARD LAYOUT  
 (P.C.B THK:0.8mm MIN)

16.0	19.8	22.0	9	3-292173-9	2-292173-9
14.0	17.8	20.0	8	3- -8	2- -8
12.0	15.8	18.0	7	3- -7	2- -7
10.0	13.8	16.0	6	3- -6	2- -6
8.0	11.8	14.0	5	3- -5	2- -5
6.0	9.8	-	4	3- -4	2- -4
4.0	7.8	-	3	3- -3	2- -3
2.0	5.8	-	2	3-292173-2	2-292173-2
A	C	D	Pos.	NATURAL	BLACK
P/N					



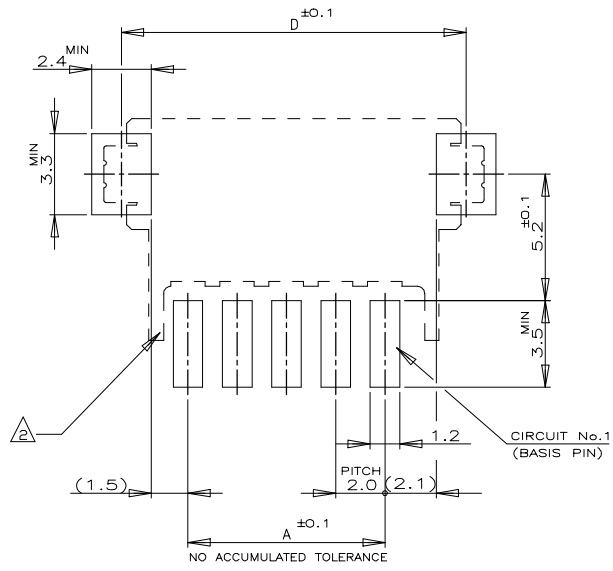
TOLERANCES UNLESS OTHERWISE SPECIFIED:  
 10>\* : ±0.2  
 30>\*10 : ±0.25  
 100>\*30 : ±0.3  
 ANGEL : ±3°

THIS DRAWING IS A CONTROLLED DOCUMENT.		DWN	TE Connectivity		
DIMENSIONS: MM		CHK	NAME		
TOLERANCES UNLESS OTHERWISE SPECIFIED:		APVD	SMT TYPE POST HDR ASS'Y (BOX-H) W/O BOSS, WITH TAIL TYPE (TE CT CONN. 2mm PITCH)		
0 PLC ±		PRODUCT SPEC	108-60016		
1 PLC ±		APPLICATION SPEC	-		
2 PLC ±		SIZE	CAGE CODE	DRAWING NO	RESTRICTED TO
3 PLC ±		A3	00779	C-292173	-
4 PLC ±		WEIGHT	-		
ANGLES ±		CUSTOMER DRAWING	SCALE	SHEET	REV
FINISH		SEE NOTE	5:1	5 of 6	C4
MATERIAL		SEE NOTE			

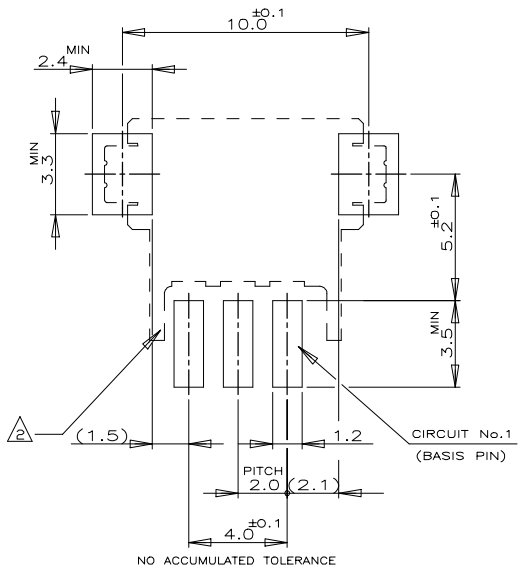
THIS DRAWING IS UNPUBLISHED. RELEASED FOR PUBLICATION  
 © COPYRIGHT - By - ALL RIGHTS RESERVED.

LOC	DIST	REVISIONS					
ES	00	P	LTR	DESCRIPTION	DATE	DWN	APVD
		-		SEE SHEET 1	-	-	-

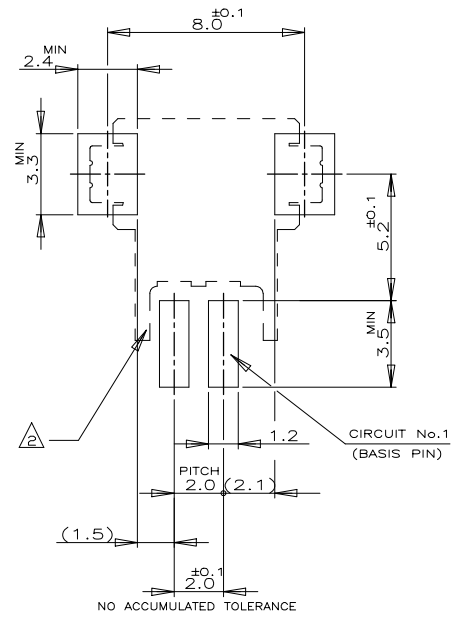
LAYOUT FOR 2-292173-X,3-2-292173-X



5 POS & ABOVE POS



3 POS



2 POS

RECOMENOD P.C.BOARD LAYOUT  
 (P.C.B THK:0.8mm MIN)

THIS DRAWING IS A CONTROLLED DOCUMENT.		DWN			
DIMENSIONS: MM		CHK			
TOLERANCES UNLESS OTHERWISE SPECIFIED:		APVD	NAME		
0 PLC ±		PRODUCT SPEC	SMT TYPE POST HDR ASS'Y (H)		
1 PLC ±		APPLICATION SPEC	W/O,WITH TAIL TYPE		
2 PLC ±		WEIGHT	SIZE	CAGE CODE	DRAWING NO
3 PLC ±			A3	00779	C-292173
4 PLC ±		CUSTOMER DRAWING	RESTRICTED TO		
ANGLES ±		SCALE	SHEET		REV
FINISH		5:1	6 OF 6		C4



## X-ON Electronics

Largest Supplier of Electrical and Electronic Components

*Click to view similar products for [Headers & Wire Housings](#) category:*

*Click to view products by [TE Connectivity](#) manufacturer:*

Other Similar products are found below :

[892-18-020-10-001101](#) [58102-G61-06LF](#) [582553-1](#) [0009485154](#) [009176003701906](#) [0050291907](#) [LY20-4P-DT1-P1E-BR](#) [02.125.8002.8](#)  
[609-3404](#) [61062-3](#) [61082-181009](#) [622-3653LF](#) [63453-116](#) [636-1030](#) [636-1427](#) [636-3427](#) [636-4007](#) [641938-9](#) [641991-4](#) [644827-2](#) [65817-010LF](#) [65817-015LF](#) [65863-015LF](#) [66207-023LF](#) [67095-007LF](#) [67601157](#) [68645-018](#) [68648-049](#) [70.362.1628.0](#) [70-4210](#) [70-4226B](#) [70-4853B](#) [707-5020](#) [707-5028](#) [71.350.2428.0](#) [71918-208LF](#) [71961-016LF](#) [733-134](#) [733-162](#) [754199-000](#) [760-3052](#) [787-8014-00](#) [79531-3000](#)  
[FCN-360C032-B](#) [FCN-367T-T012/H](#) [FCN-723D010/2](#) [80.063.4001.1](#) [800-90-001-10-001000](#) [800-90-010-10-002000](#) [801-43-002-10-013000](#)