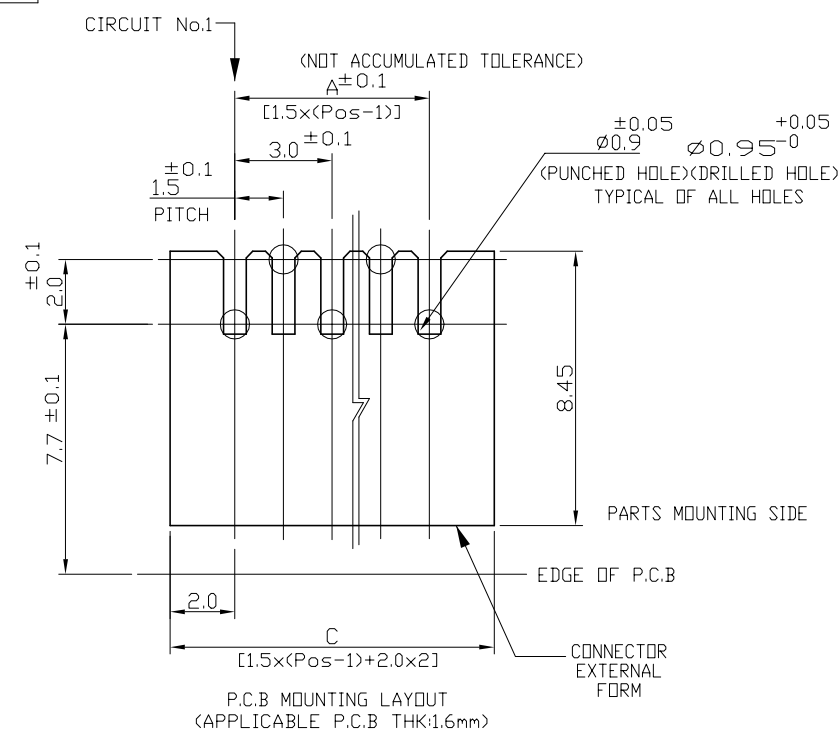
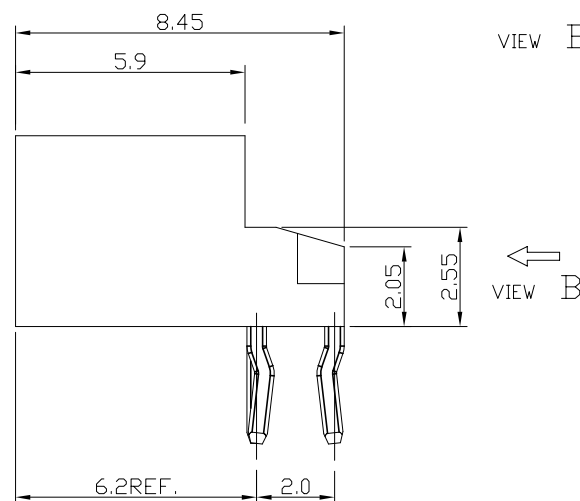
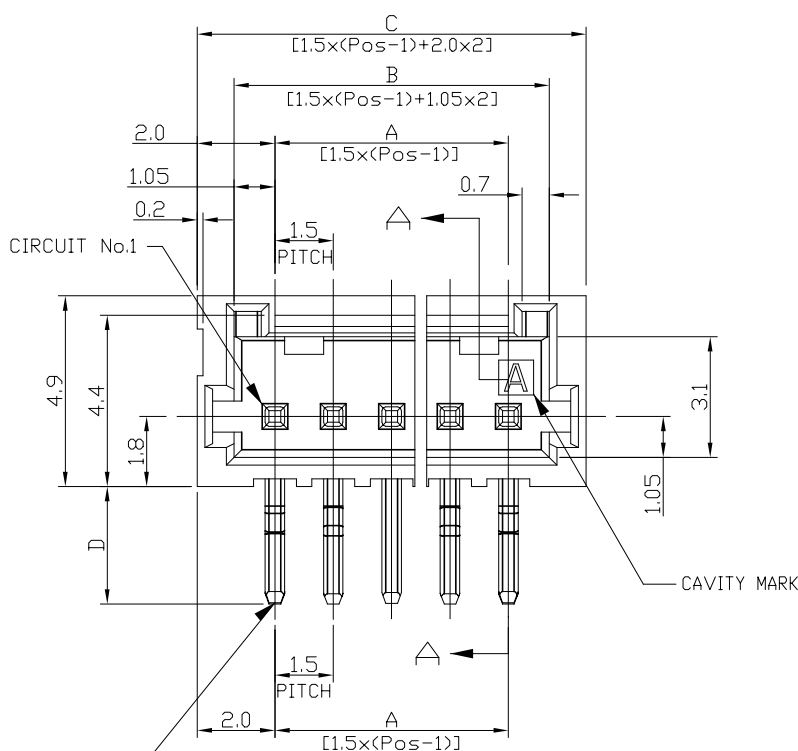
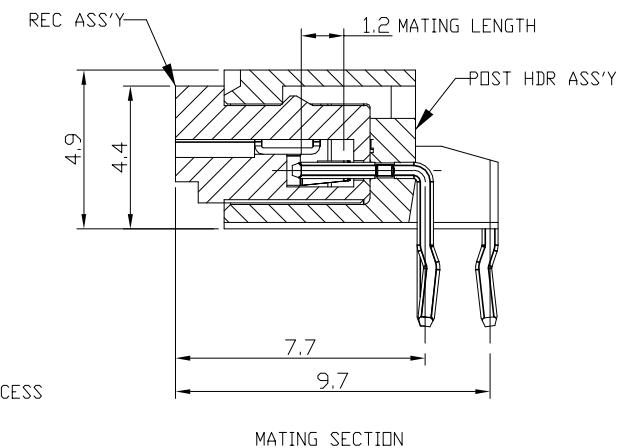
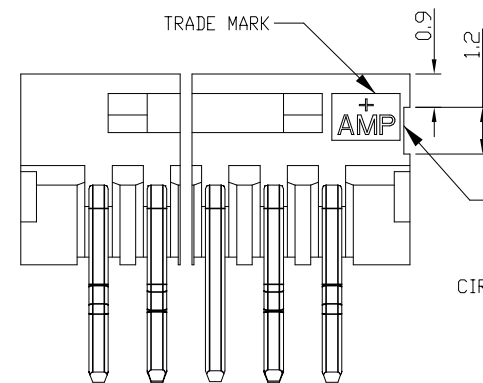
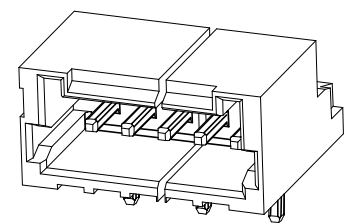
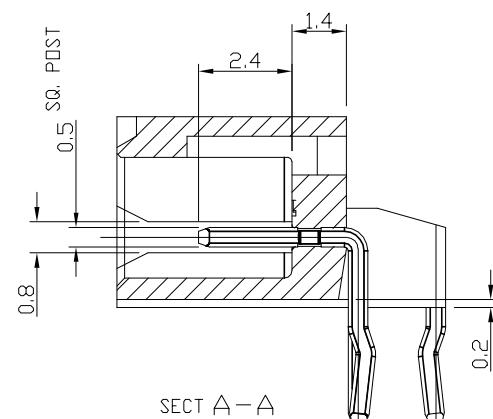
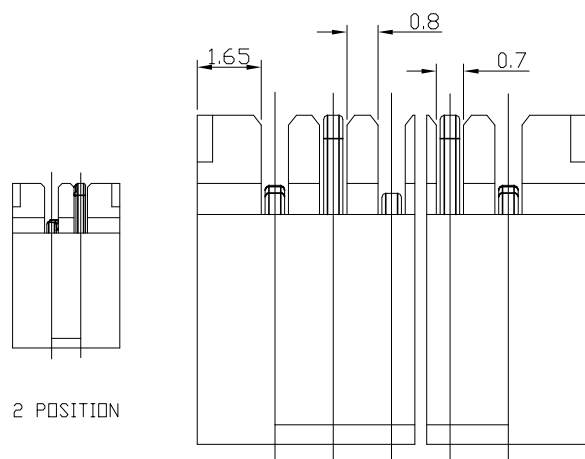


P	LTR	DESCRIPTION	DATE	DWN	APVD
B1	ECR-20-004164		29MAR2020	T.Q	W.H



NOTES:

1.MATERIAL:  
HOUSING:NYLON(G.F.) UL94V-0,COLOR:GRAY,BLUE  
POST:PRE-TIN 0.5mm SQ. BRASS WIRE

TOLERANCES UNLESS OTHERWISE SPECIFIED:


10 > \* : ±0.2  
30 > \* >10 : ±0.25  
100 > \* >30 : ±0.3  
ANGLE : ±3°

THIS DRAWING IS A CONTROLLED DOCUMENT.		DWN S.YAO 06DEC02		
		CHK T.SASAKI 31JAN03		
DIMENSIONS: mm		APVD T.SASAKI 31JAN03	NAME	
TOLERANCES UNLESS OTHERWISE SPECIFIED:		PRODUCT SPEC	AMP Mini CT Connector 1.5mm Pitch	
0 PLC ± -		108-60018	Single Row HDR with Kink	
1 PLC ± -		APPLICATION SPEC	DIP Staggered Type	
2 PLC ± -		114-5223	SIZE	RESTRICTED TO
3 PLC ± -		WEIGHT SEE TABLE	A3	—
4 PLC ± -		CUSTOMER DRAWING	CAGE CODE 00779	DRAWING NO C=292206
ANGLES ± -			SCALE NON	SHEET 1 of 2
MATERIAL SEE NOTE 1	FINISH SEE NOTE 1			REV B1

© - TE Connectivity. All Rights Reserved.

REVISIONS					
P	LTR	DESCRIPTION	DATE	OWN	APVD
-	-	SEE SHEET 1	-	-	-

0.28	2.5	8.5	6.6	4.5	4			9-292206-4
0.23	2.5	7.0	5.1	3.0	3			9-292206-3
1.11	3.0	32.5	30.6	28.5	20	7-292206-0	4-292206-0	2-292206-0
1.06	3.0	31.0	29.1	27.0	19	6-292206-9	3-292206-9	1-292206-9
1.01	3.0	29.5	27.6	25.5	18	6-292206-8	3-292206-8	1-292206-8
0.96	3.0	28.0	26.1	24.0	17	6-292206-7	3-292206-7	1-292206-7
0.91	3.0	26.5	24.6	22.5	16	6-292206-6	3-292206-6	1-292206-6
0.86	3.0	25.0	23.1	21.0	15	6-292206-5	3-292206-5	1-292206-5
0.81	3.0	23.5	21.6	19.5	14	6-292206-4	3-292206-4	1-292206-4
0.75	3.0	22.0	20.1	18.0	13	6-292206-3	3-292206-3	1-292206-3
0.70	3.0	20.5	18.6	16.5	12	6-292206-2	3-292206-2	1-292206-2
0.65	3.0	19.0	17.1	15.0	11	6-292206-1	3-292206-1	1-292206-1
0.60	3.0	17.5	15.6	13.5	10	6-292206-0	3-292206-0	1-292206-0
0.54	3.0	16.0	14.1	12.0	9	5-292206-9	2-292206-9	292206-9
0.49	3.0	14.5	12.6	10.5	8	5-292206-8	2-292206-8	292206-8
0.44	3.0	13.0	11.1	9.0	7	5-292206-7	2-292206-7	292206-7
0.40	3.0	11.5	9.6	7.5	6	5-292206-6	2-292206-6	292206-6
0.34	3.0	10.0	8.1	6.0	5	5-292206-5	2-292206-5	292206-5
0.29	3.0	8.5	6.6	4.5	4	5-292206-4	2-292206-4	292206-4
0.24	3.0	7.0	5.1	3.0	3	5-292206-3	2-292206-3	292206-3
0.19	3.0	5.5	3.6	1.5	2	5-292206-2	2-292206-2	292206-2
WEIGHT (g)	D	C	B	A	Pos.	BLUE	BLACK	GRAY
	DIMENSIONS					PART NO		

THIS DRAWING IS A CONTROLLED DOCUMENT.		DWN S.YAO	06DEC02	 TE Connectivity	
DIMENSIONS: mm		CHK T.SASAKI	31JAN03		
TOLERANCES UNLESS OTHERWISE SPECIFIED:		APVD T.SASAKI	31JAN03	NAME AMP Mini CT Connector 1.5mm Pitch Single Row HDR with Kink DIP Staggered Type	
0 PLC ± - 1 PLC ± - 2 PLC ± - 3 PLC ± - 4 PLC ± - ANGLES ± -		PRODUCT SPEC 108-60018		RESTRICTED TO	
MATERIAL SEE NOTE 1		APPLICATION SPEC 114-5223	SIZE A3	CAGE CODE 00779	DRAWING NO C-292206
FINISH SEE NOTE 1		WEIGHT SEE TABLE	SCALE NON	SHEET 2 OF 2	REV B1
CUSTOMER DRAWING					

## X-ON Electronics

Largest Supplier of Electrical and Electronic Components

*Click to view similar products for [Headers & Wire Housings](#) category:*

*Click to view products by [TE Connectivity](#) manufacturer:*

Other Similar products are found below :

[892-18-020-10-001101](#) [58102-G61-06LF](#) [582553-1](#) [0009485154](#) [009176003701906](#) [0050291907](#) [LY20-4P-DT1-P1E-BR](#) [02.125.8002.8](#)  
[609-3404](#) [61062-3](#) [61082-181009](#) [622-3653LF](#) [63453-116](#) [636-1030](#) [636-1427](#) [636-3427](#) [636-4007](#) [641938-9](#) [641991-4](#) [644827-2](#) [65817-](#)  
[010LF](#) [65817-015LF](#) [65863-015LF](#) [66207-023LF](#) [67095-007LF](#) [67601157](#) [68645-018](#) [68648-049](#) [70.362.1628.0](#) [70-4210](#) [70-4226B](#) [70-](#)  
[4853B](#) [707-5020](#) [707-5028](#) [71.350.2428.0](#) [71918-208LF](#) [71961-016LF](#) [733-134](#) [733-162](#) [754199-000](#) [760-3052](#) [787-8014-00](#) [79531-3000](#)  
[FCN-360C032-B](#) [FCN-367T-T012/H](#) [FCN-723D010/2](#) [80.063.4001.1](#) [800-90-001-10-001000](#) [800-90-010-10-002000](#) [801-43-002-10-013000](#)