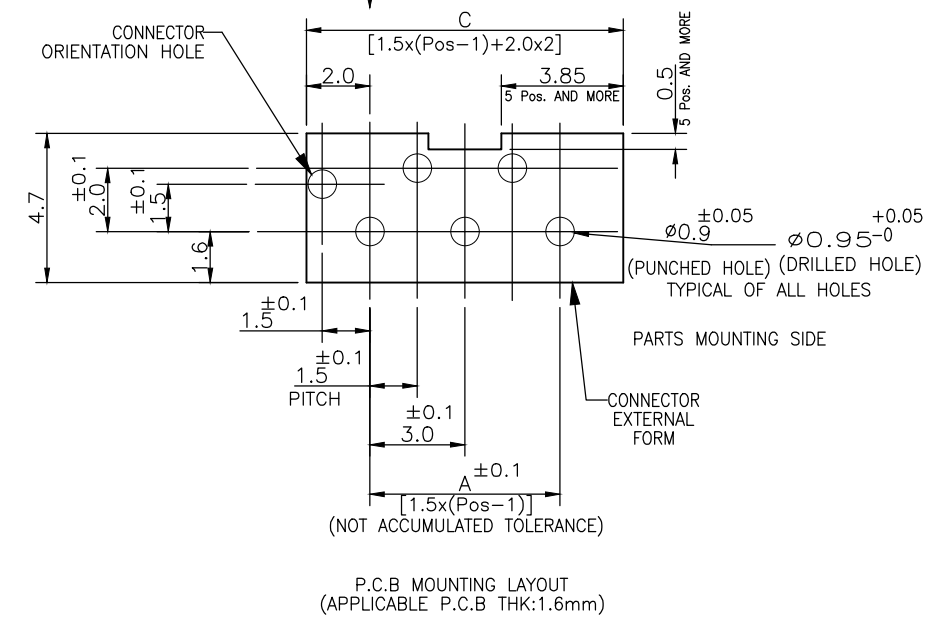
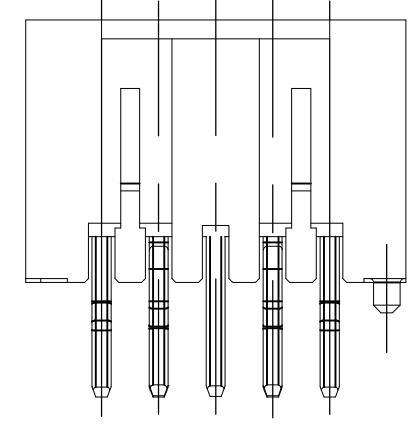
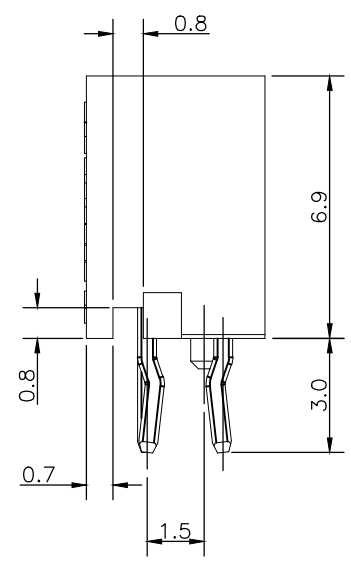
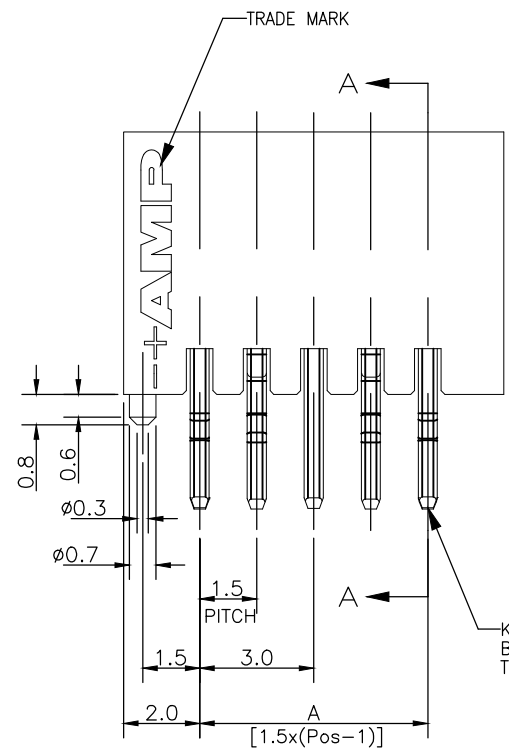
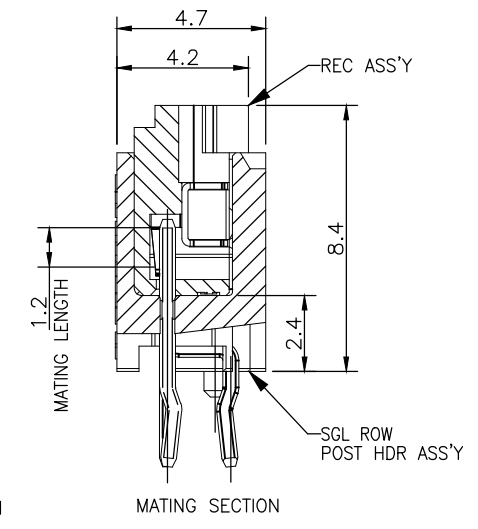
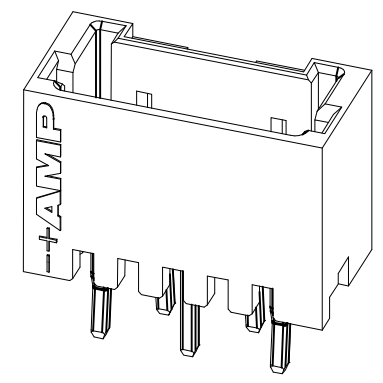
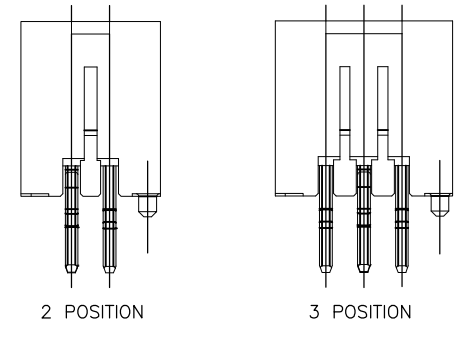
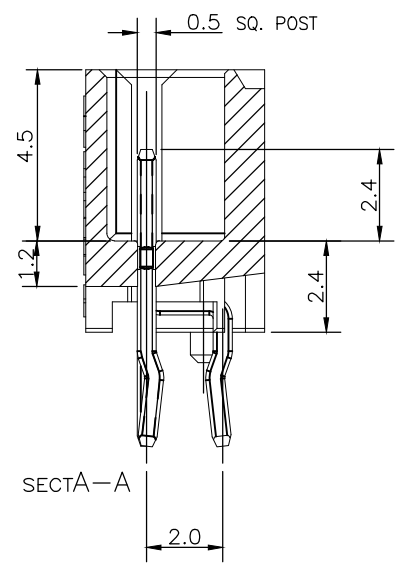
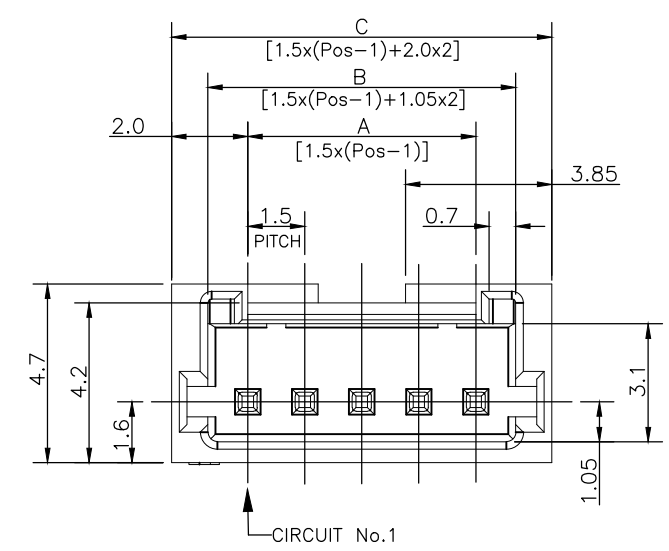


THIS DRAWING IS UNPUBLISHED. RELEASED FOR PUBLICATION
 © COPYRIGHT - By - ALL RIGHTS RESERVED.

REVISIONS				
P	LTR	DESCRIPTION	DATE	DWN APVD
B		ECR-18-017107	07NOV18	T.Q W.H



NOTES:
 1. MATERIAL:
 HOUSING: NYLON(G.F.) UL94V-0, COLOR: GRAY, BLUE, BLACK
 POST: PRE-TIN 0.5mm SQ. BRASS WIRE

TOLERANCES UNLESS OTHERWISE SPECIFIED:
 10 > * : ±0.2
 30 > * > 10 : ±0.25
 100 > * > 30 : ±0.3
 ANGLE : ±3°

THIS DRAWING IS A CONTROLLED DOCUMENT.		DWN S.YAO 31JAN03	TE Connectivity				
		CHK S.YAO 31JAN03					
DIMENSIONS: mm		APVD T. SASAKI 31JAN03	NAME				
TOLERANCES UNLESS OTHERWISE SPECIFIED: 0 PLC ± - 1 PLC ± - 2 PLC ± - 3 PLC ± - 4 PLC ± - ANGLES ± -		PRODUCT SPEC 108 - 60018	AMP Mini CT Connector 1.5mm Pitch Single Row Post HDR Ass'y (V) DIP Staggered Type with Boss with Kink				
MATERIAL SEE NOTE 1		FINISH SEE NOTE 1	APPLICATION SPEC 114 - 5223	SIZE	CAGE CODE	DRAWING NO	RESTRICTED TO
			WEIGHT 0.000000	A3	00779	C-292207	-
CUSTOMER DRAWING			SCALE -	SHEET 1 of 2	REV B		

THIS DRAWING IS UNPUBLISHED. RELEASED FOR PUBLICATION
 © COPYRIGHT - By - ALL RIGHTS RESERVED.

REVISIONS					
P	LTR	DESCRIPTION	DATE	DWN	APVD
-	-	SEE SHEET 1	-	-	-

0.96	32.5	30.6	28.5	20	7-292207-0	4-292207-0	2-292207-0
0.91	31.0	29.1	27.0	19	6-292207-9	3-292207-9	1-292207-9
0.87	29.5	27.6	25.5	18	6-292207-8	3-292207-8	1-292207-8
0.82	28.0	26.1	24.0	17	6-292207-7	3-292207-7	1-292207-7
0.78	26.5	24.6	22.5	16	6-292207-6	3-292207-6	1-292207-6
0.73	25.0	23.1	21.0	15	6-292207-5	3-292207-5	1-292207-5
0.69	23.5	21.6	19.5	14	6-292207-4	3-292207-4	1-292207-4
0.64	22.0	20.1	18.0	13	6-292207-3	3-292207-3	1-292207-3
0.60	20.5	18.6	16.5	12	6-292207-2	3-292207-2	1-292207-2
0.55	19.0	17.1	15.0	11	6-292207-1	3-292207-1	1-292207-1
0.51	17.5	15.6	13.5	10	6-292207-0	3-292207-0	1-292207-0
0.46	16.0	14.1	12.0	9	5-292207-9	2-292207-9	292207-9
0.42	14.5	12.6	10.5	8	5-292207-8	2-292207-8	292207-8
0.37	13.0	11.1	9.0	7	5-292207-7	2-292207-7	292207-7
0.33	11.5	9.6	7.5	6	5-292207-6	2-292207-6	292207-6
0.28	10.0	8.1	6.0	5	5-292207-5	2-292207-5	292207-5
0.24	8.5	6.6	4.5	4	5-292207-4	2-292207-4	292207-4
0.19	7.0	5.1	3.0	3	5-292207-3	2-292207-3	292207-3
0.16	5.5	3.6	1.5	2	5-292207-2	2-292207-2	292207-2
WEIGHT (g)	C	B	A	Pos.	BLUE	BLACK	GRAY
	DIMENSIONS				P/N		

THIS DRAWING IS A CONTROLLED DOCUMENT.		DWN S.YAO 31JAN03	STE TE Connectivity			
DIMENSIONS: mm		CHK S.YAO 31JAN03				
TOLERANCES UNLESS OTHERWISE SPECIFIED:		APVD T. SASAKI 31JAN03	NAME AMP Mini CT Connector 1.5mm Pitch Single Row Post HDR Ass'y (V) DIP Staggered Type with Boss with Kink			
0 PLC ± - 1 PLC ± - 2 PLC ± - 3 PLC ± - 4 PLC ± - ANGLES ± -		PRODUCT SPEC 108 - 60018	SIZE	CAGE CODE	DRAWING NO	RESTRICTED TO
MATERIAL SEE NOTE 1		FINISH SEE NOTE 1	114 - 5223	A300779	C-292207	-
CUSTOMER DRAWING			WEIGHT 0.000000	SCALE -	SHEET 2 OF 2	REV B

X-ON Electronics

Largest Supplier of Electrical and Electronic Components

Click to view similar products for [Headers & Wire Housings](#) category:

Click to view products by [TE Connectivity](#) manufacturer:

Other Similar products are found below :

[892-18-020-10-001101](#) [58102-G61-06LF](#) [582553-1](#) [0009485154](#) [009176003701906](#) [0050291907](#) [LY20-4P-DT1-P1E-BR](#) [02.125.8002.8](#)
[609-3404](#) [61062-3](#) [61082-181009](#) [622-3653LF](#) [63453-116](#) [636-1030](#) [636-1427](#) [636-3427](#) [636-4007](#) [641938-9](#) [641991-4](#) [644827-2](#) [65817-](#)
[010LF](#) [65817-015LF](#) [65863-015LF](#) [66207-023LF](#) [67095-007LF](#) [67601157](#) [68645-018](#) [68648-049](#) [70.362.1628.0](#) [70-4210](#) [70-4226B](#) [70-](#)
[4853B](#) [707-5020](#) [707-5028](#) [71.350.2428.0](#) [71918-208LF](#) [71961-016LF](#) [733-134](#) [733-162](#) [754199-000](#) [760-3052](#) [79531-3000](#) [FCN-](#)
[360C032-B](#) [FCN-367T-T012/H](#) [FCN-723D010/2](#) [80.063.4001.1](#) [800-90-010-10-002000](#) [801-43-002-10-013000](#) [801-43-006-10-002000](#)
[801-93-011-10-001000](#)