

THIS DRAWING IS UNPUBLISHED.

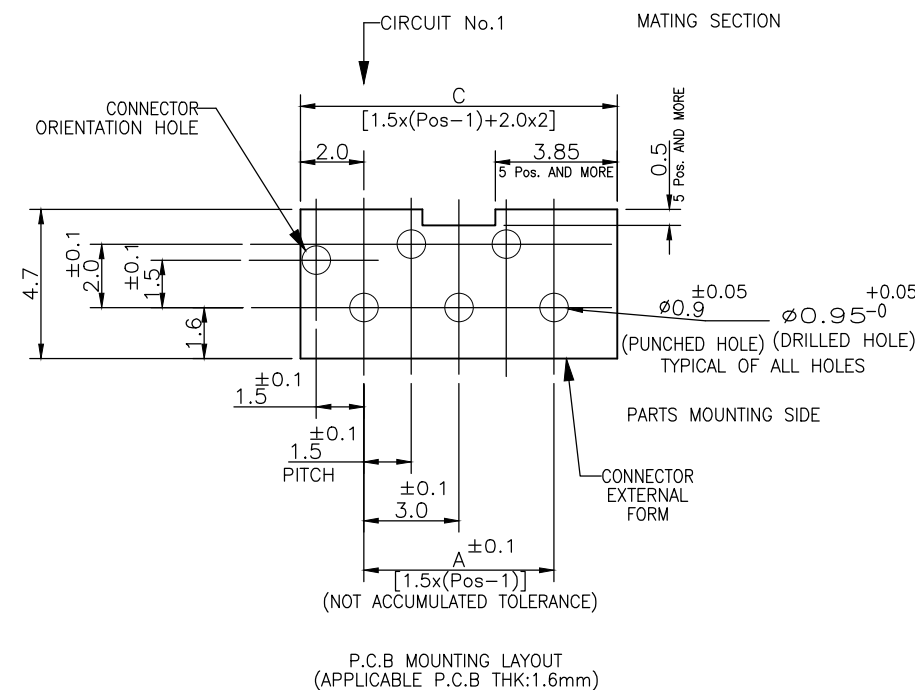
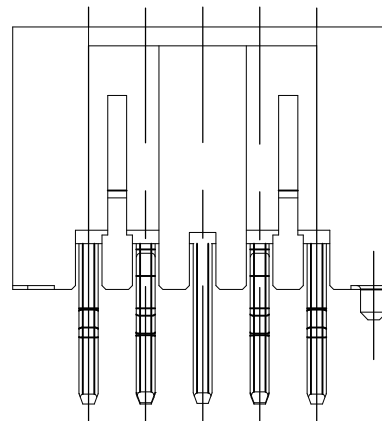
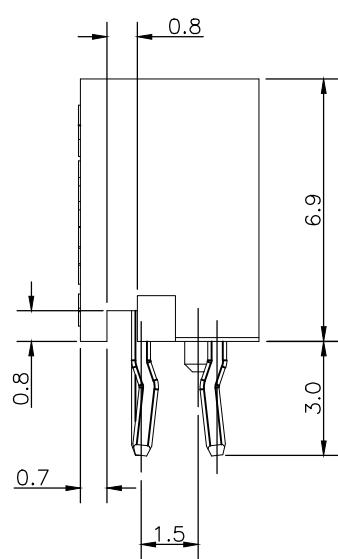
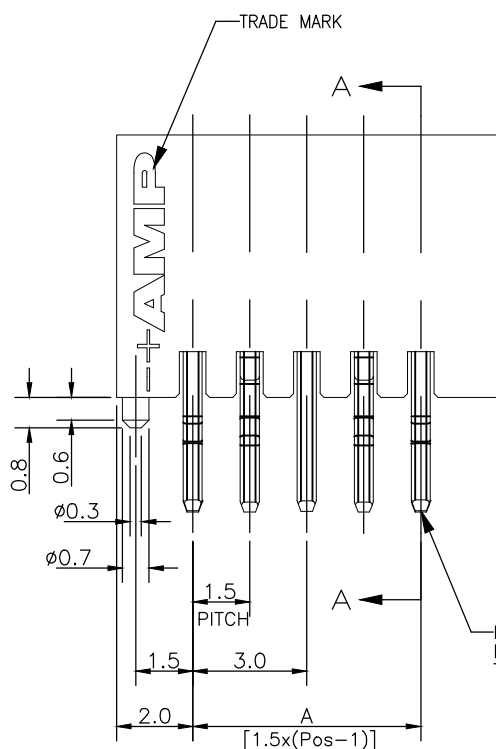
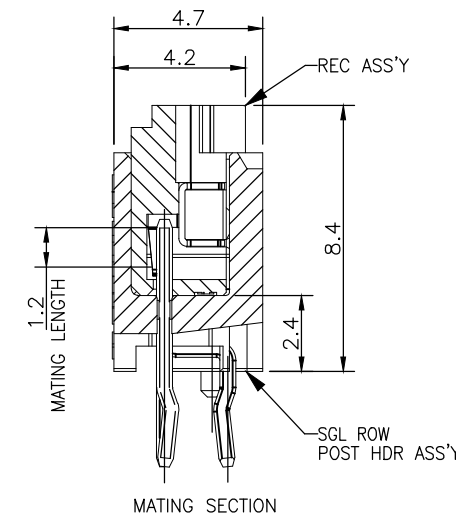
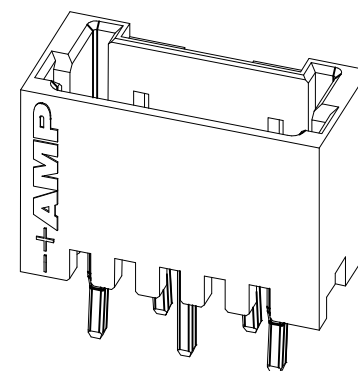
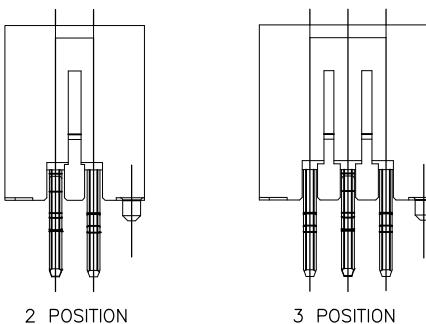
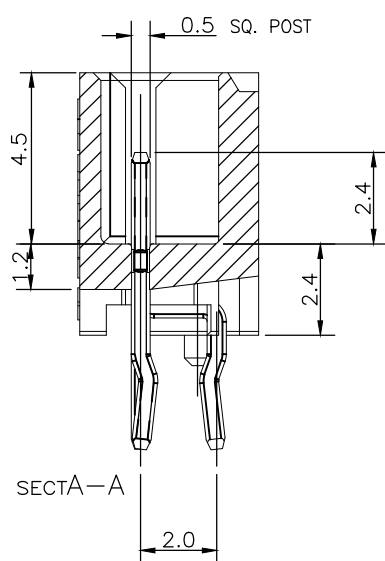
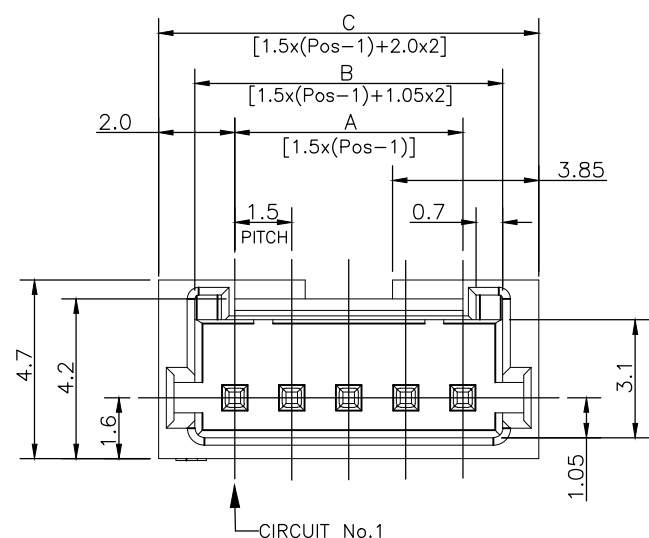
RELEASED FOR PUBLICATION

© COPYRIGHT - By -

ALL RIGHTS RESERVED.

REVISIONS

P	LTR	DESCRIPTION	DATE	DWN	APVD
B		ECR-18-017107	07NOV18	T.Q	W.H



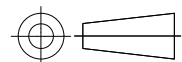
NOTES:
 1. MATERIAL:
 HOUSING: NYLON(G.F.) UL94V-0, COLOR: GRAY, BLUE, BLACK
 POST: PRE-TIN 0.5mm SQ. BRASS WIRE

TOLERANCES UNLESS OTHERWISE SPECIFIED:

10 > * : ±0.2
 30 > * > 10 : ±0.25
 100 > * > 30 : ±0.3
 ANGLE : ±3°

THIS DRAWING IS A CONTROLLED DOCUMENT.

DIMENSIONS:
mm



MATERIAL
SEE NOTE 1

TOLERANCES UNLESS OTHERWISE SPECIFIED:

0 PLC	± -
1 PLC	± -
2 PLC	± -
3 PLC	± -
4 PLC	± -
ANGLES	± -

FINISH
SEE NOTE 1

DWN	S.YAO	31JAN03
CHK	S.YAO	31JAN03
APVD	T. SASAKI	31JAN03
PRODUCT SPEC	108 - 60018	
APPLICATION SPEC	114 - 5223	
WEIGHT	0.000000	
CUSTOMER DRAWING		



NAME
 AMP Mini CT Connector 1.5mm Pitch
 Single Row Post HDR Ass'y (V)
 DIP Staggered Type with Boss with Kink


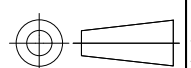
SIZE	CAGE CODE	DRAWING NO	RESTRICTED TO
A3	00779	C-292207	-

SCALE - SHEET 1 of 2 REV B

THIS DRAWING IS UNPUBLISHED. RELEASED FOR PUBLICATION
 © COPYRIGHT - By - ALL RIGHTS RESERVED.

REVISIONS					
P	LTR	DESCRIPTION	DATE	DWN	APVD
-	-	SEE SHEET 1	-	-	-

0.96	32.5	30.6	28.5	20	7-292207-0	4-292207-0	2-292207-0
0.91	31.0	29.1	27.0	19	6-292207-9	3-292207-9	1-292207-9
0.87	29.5	27.6	25.5	18	6-292207-8	3-292207-8	1-292207-8
0.82	28.0	26.1	24.0	17	6-292207-7	3-292207-7	1-292207-7
0.78	26.5	24.6	22.5	16	6-292207-6	3-292207-6	1-292207-6
0.73	25.0	23.1	21.0	15	6-292207-5	3-292207-5	1-292207-5
0.69	23.5	21.6	19.5	14	6-292207-4	3-292207-4	1-292207-4
0.64	22.0	20.1	18.0	13	6-292207-3	3-292207-3	1-292207-3
0.60	20.5	18.6	16.5	12	6-292207-2	3-292207-2	1-292207-2
0.55	19.0	17.1	15.0	11	6-292207-1	3-292207-1	1-292207-1
0.51	17.5	15.6	13.5	10	6-292207-0	3-292207-0	1-292207-0
0.46	16.0	14.1	12.0	9	5-292207-9	2-292207-9	292207-9
0.42	14.5	12.6	10.5	8	5-292207-8	2-292207-8	292207-8
0.37	13.0	11.1	9.0	7	5-292207-7	2-292207-7	292207-7
0.33	11.5	9.6	7.5	6	5-292207-6	2-292207-6	292207-6
0.28	10.0	8.1	6.0	5	5-292207-5	2-292207-5	292207-5
0.24	8.5	6.6	4.5	4	5-292207-4	2-292207-4	292207-4
0.19	7.0	5.1	3.0	3	5-292207-3	2-292207-3	292207-3
0.16	5.5	3.6	1.5	2	5-292207-2	2-292207-2	292207-2
WEIGHT (g)	C	B	A	Pos.	BLUE	BLACK	GRAY
	DIMENSIONS				P/N		

THIS DRAWING IS A CONTROLLED DOCUMENT.		DWN S.YAO 31JAN03	 TE Connectivity		
DIMENSIONS: mm		CHK S.YAO 31JAN03			
TOLERANCES UNLESS OTHERWISE SPECIFIED:		APVD T. SASAKI 31JAN03	NAME AMP Mini CT Connector 1.5mm Pitch Single Row Post HDR Ass'y (V) DIP Staggered Type with Boss with Kink		
		PRODUCT SPEC 108 - 60018	RESTRICTED TO		
MATERIAL SEE NOTE 1		APPLICATION SPEC 114 - 5223	SIZE A3	CAGE CODE 00779	DRAWING NO C-292207
FINISH SEE NOTE 1		WEIGHT 0.000000	SCALE -		SHEET 2 OF 2
CUSTOMER DRAWING			REV B		

X-ON Electronics

Largest Supplier of Electrical and Electronic Components

Click to view similar products for [Headers & Wire Housings](#) category:

Click to view products by [TE Connectivity](#) manufacturer:

Other Similar products are found below :

[892-18-020-10-001101](#) [58102-G61-06LF](#) [582553-1](#) [0009485154](#) [009176003701906](#) [0050291907](#) [LY20-4P-DT1-P1E-BR](#) [02.125.8002.8](#)
[609-3404](#) [61062-3](#) [61082-181009](#) [622-3653LF](#) [63453-116](#) [636-1030](#) [636-1427](#) [636-3427](#) [636-4007](#) [641938-9](#) [641991-4](#) [644827-2](#) [65817-010LF](#) [65817-015LF](#) [65863-015LF](#) [66207-023LF](#) [67095-007LF](#) [67601157](#) [68645-018](#) [68648-049](#) [70.362.1628.0](#) [70-4210](#) [70-4226B](#) [70-4853B](#) [707-5020](#) [707-5028](#) [71.350.2428.0](#) [71918-208LF](#) [71961-016LF](#) [733-134](#) [733-162](#) [754199-000](#) [760-3052](#) [787-8014-00](#) [79531-3000](#)
[FCN-360C032-B](#) [FCN-367T-T012/H](#) [FCN-723D010/2](#) [80.063.4001.1](#) [800-90-001-10-001000](#) [800-90-010-10-002000](#) [801-43-002-10-013000](#)