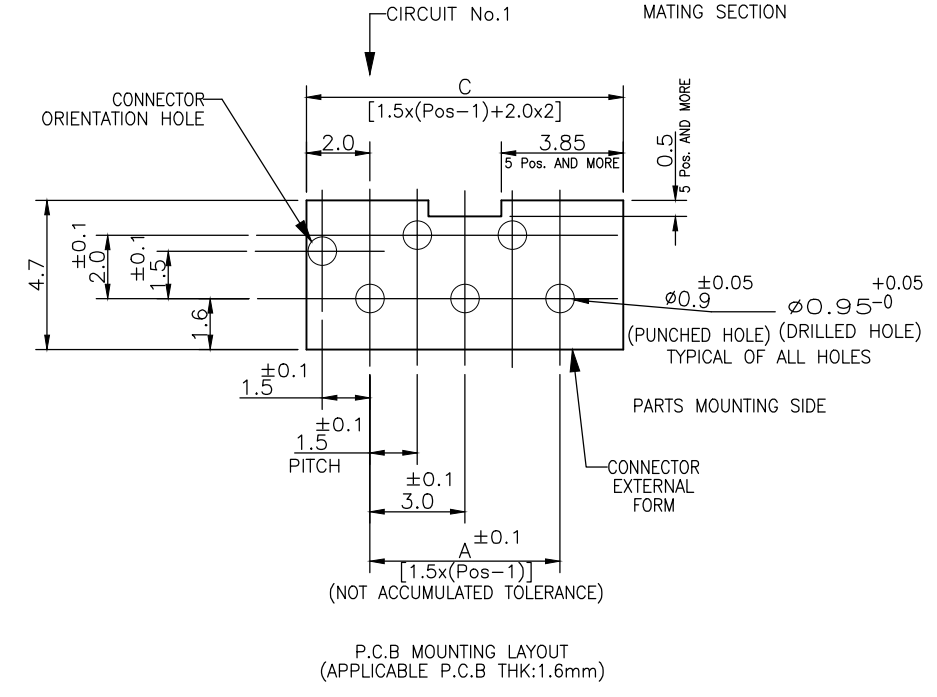
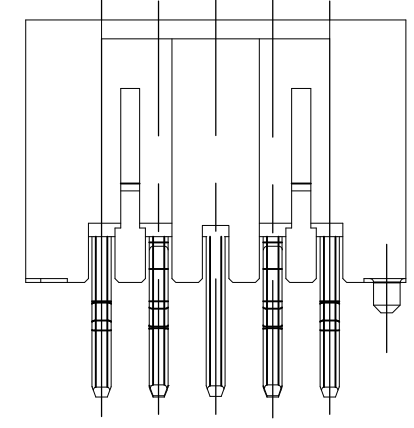
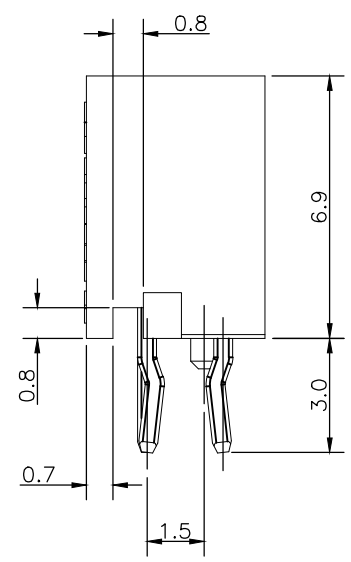
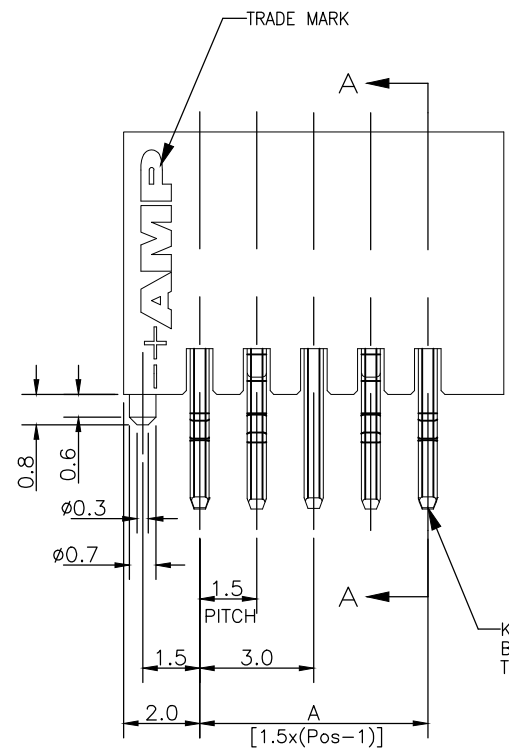
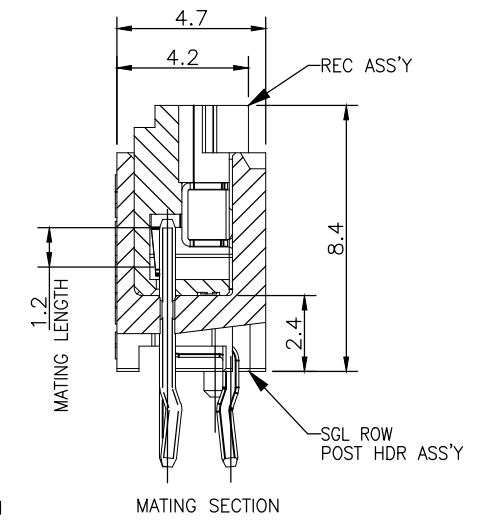
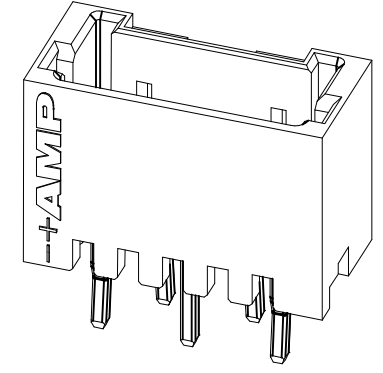
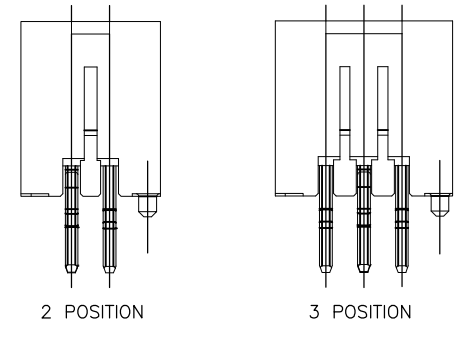
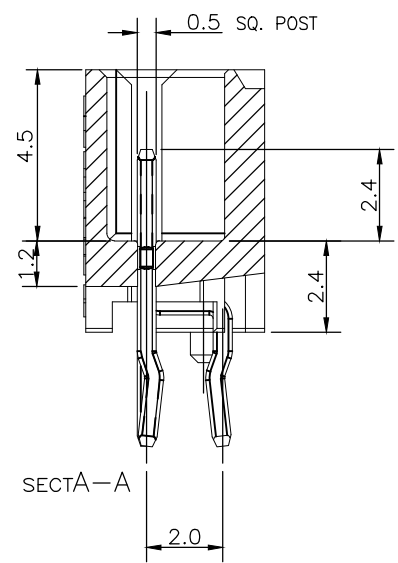
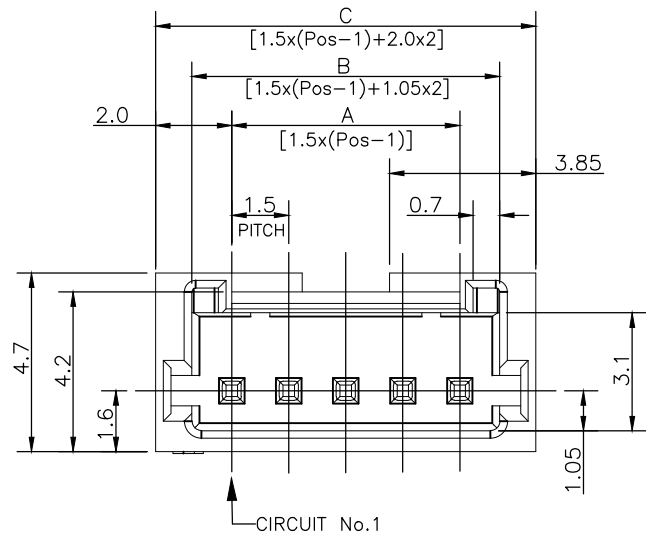


| P | LTR | DESCRIPTION | DATE | DWN | APVD |
|---|-----|---------------|---------|-----|------|
| B | | ECR-18-017107 | 07NOV18 | T.Q | W.H |



NOTES:
 1. MATERIAL:
 HOUSING: NYLON(G.F.) UL94V-0, COLOR: GRAY, BLUE, BLACK
 POST: PRE-TIN 0.5mm SQ. BRASS WIRE

TOLERANCES UNLESS OTHERWISE SPECIFIED:
 10 > * : ±0.2
 30 > * > 10 : ±0.25
 100 > * > 30 : ±0.3
 ANGLE : ±3°

| | | | | | | | |
|---|--|------------------------------|--|------------|--------------------|------------------------|--------------------|
| THIS DRAWING IS A CONTROLLED DOCUMENT. | | DWN S.YAO 31JAN03 | TE Connectivity | | | | |
| DIMENSIONS: mm | | CHK S.YAO 31JAN03 | | | | | |
| TOLERANCES UNLESS OTHERWISE SPECIFIED: 0 PLC ± - 1 PLC ± - 2 PLC ± - 3 PLC ± - 4 PLC ± - ANGLES ± - | | APVD T. SASAKI 31JAN03 | NAME AMP Mini CT Connector 1.5mm Pitch Single Row Post HDR Ass'y (V) DIP Staggered Type with Boss with Kink | | | | |
| MATERIAL SEE NOTE 1 | | FINISH SEE NOTE 1 | PRODUCT SPEC 108 - 60018 | SIZE A3 | CAGE CODE 00779 | DRAWING NO C-292207 | RESTRICTED TO - |
| CUSTOMER DRAWING | | | APPLICATION SPEC 114 - 5223 | SCALE - | SHEET 1 of 2 | REV B | |
| | | | WEIGHT 0.000000 | | | | |

THIS DRAWING IS UNPUBLISHED. RELEASED FOR PUBLICATION
 © COPYRIGHT - By - ALL RIGHTS RESERVED.

| REVISIONS | | | | | |
|-----------|-----|-------------|------|-----|------|
| P | LTR | DESCRIPTION | DATE | DWN | APVD |
| - | - | SEE SHEET 1 | - | - | - |

| | | | | | | | |
|------------|------------|------|------|------|------------|------------|------------|
| 0.96 | 32.5 | 30.6 | 28.5 | 20 | 7-292207-0 | 4-292207-0 | 2-292207-0 |
| 0.91 | 31.0 | 29.1 | 27.0 | 19 | 6-292207-9 | 3-292207-9 | 1-292207-9 |
| 0.87 | 29.5 | 27.6 | 25.5 | 18 | 6-292207-8 | 3-292207-8 | 1-292207-8 |
| 0.82 | 28.0 | 26.1 | 24.0 | 17 | 6-292207-7 | 3-292207-7 | 1-292207-7 |
| 0.78 | 26.5 | 24.6 | 22.5 | 16 | 6-292207-6 | 3-292207-6 | 1-292207-6 |
| 0.73 | 25.0 | 23.1 | 21.0 | 15 | 6-292207-5 | 3-292207-5 | 1-292207-5 |
| 0.69 | 23.5 | 21.6 | 19.5 | 14 | 6-292207-4 | 3-292207-4 | 1-292207-4 |
| 0.64 | 22.0 | 20.1 | 18.0 | 13 | 6-292207-3 | 3-292207-3 | 1-292207-3 |
| 0.60 | 20.5 | 18.6 | 16.5 | 12 | 6-292207-2 | 3-292207-2 | 1-292207-2 |
| 0.55 | 19.0 | 17.1 | 15.0 | 11 | 6-292207-1 | 3-292207-1 | 1-292207-1 |
| 0.51 | 17.5 | 15.6 | 13.5 | 10 | 6-292207-0 | 3-292207-0 | 1-292207-0 |
| 0.46 | 16.0 | 14.1 | 12.0 | 9 | 5-292207-9 | 2-292207-9 | 292207-9 |
| 0.42 | 14.5 | 12.6 | 10.5 | 8 | 5-292207-8 | 2-292207-8 | 292207-8 |
| 0.37 | 13.0 | 11.1 | 9.0 | 7 | 5-292207-7 | 2-292207-7 | 292207-7 |
| 0.33 | 11.5 | 9.6 | 7.5 | 6 | 5-292207-6 | 2-292207-6 | 292207-6 |
| 0.28 | 10.0 | 8.1 | 6.0 | 5 | 5-292207-5 | 2-292207-5 | 292207-5 |
| 0.24 | 8.5 | 6.6 | 4.5 | 4 | 5-292207-4 | 2-292207-4 | 292207-4 |
| 0.19 | 7.0 | 5.1 | 3.0 | 3 | 5-292207-3 | 2-292207-3 | 292207-3 |
| 0.16 | 5.5 | 3.6 | 1.5 | 2 | 5-292207-2 | 2-292207-2 | 292207-2 |
| WEIGHT (g) | C | B | A | Pos. | BLUE | BLACK | GRAY |
| | DIMENSIONS | | | | P/N | | |

| | | | | | | |
|---|--|-----------------------------|---------|--|--------------------|------------------------|
| THIS DRAWING IS A CONTROLLED DOCUMENT. | | DWN S.YAO | 31JAN03 | STE TE Connectivity | | |
| DIMENSIONS: mm | | CHK S.YAO | 31JAN03 | | | |
| TOLERANCES UNLESS OTHERWISE SPECIFIED: | | APVD T. SASAKI | 31JAN03 | NAME AMP Mini CT Connector 1.5mm Pitch Single Row Post HDR Ass'y (V) DIP Staggered Type with Boss with Kink | | |
| 0 PLC ± - 1 PLC ± - 2 PLC ± - 3 PLC ± - 4 PLC ± - ANGLES ± - | | PRODUCT SPEC 108 - 60018 | | APPLICATION SPEC | | |
| MATERIAL SEE NOTE 1 | | FINISH SEE NOTE 1 | | WEIGHT 0.000000 | | RESTRICTED TO - |
| CUSTOMER DRAWING | | | | SIZE A3 | CAGE CODE 00779 | DRAWING NO C-292207 |
| | | | | SCALE - | SHEET 2 OF 2 | REV B |

X-ON Electronics

Largest Supplier of Electrical and Electronic Components

Click to view similar products for [Headers & Wire Housings](#) category:

Click to view products by [TE Connectivity](#) manufacturer:

Other Similar products are found below :

[95000-104TRLF](#) [10135584-644402LF](#) [DF62W-EP2022PCA](#) [95000-106TRLF](#) [DF62W-2022SCA](#) [DF62W-EP2022PC](#) [2203348](#) [DF62W-2022SC](#) [1084018](#) [1029039](#) [1084017](#) [802-10-012-10-002000](#) [1112640](#) [1112639](#) [000-34000](#) [0009482033](#) [0009507031](#) [57102-S06-03LF](#) [57202-S52-04LF](#) [PCN6-15S-2.5E](#) [0039019024](#) [58102-G61-06LF](#) [582553-1](#) [0009508121](#) [0050291907](#) [018731A](#) [LY20-4P-DT1-P1E-BR](#) [02.125.8002.8](#) [60101931](#) [60598-1 \(Cut Strip\)](#) [M1625-3R/100](#) [61062-3](#) [61082-181009](#) [636-1427](#) [638009-1](#) [641938-9](#) [641991-4](#) [644168-1](#) [647662-1](#) [65039-019ELF](#) [65817-002LF](#) [65817-015LF](#) [65863-015LF](#) [66207-023LF](#) [67016-026LF](#) [67046-001LF](#) [67095-007LF](#) [68002-116](#) [68016-236H](#) [68648-049](#)