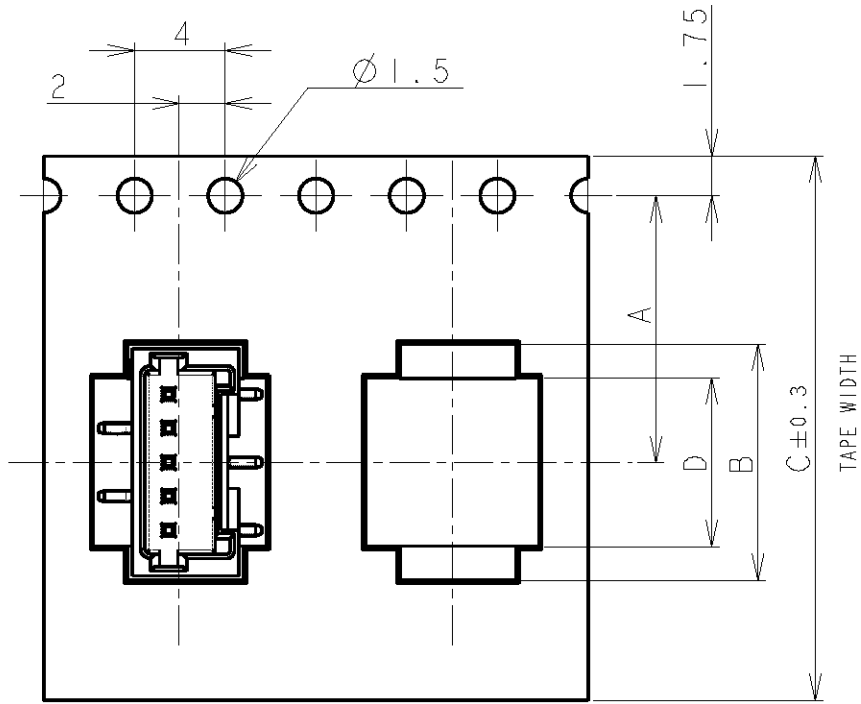


THIS DRAWING IS UNPUBLISHED.

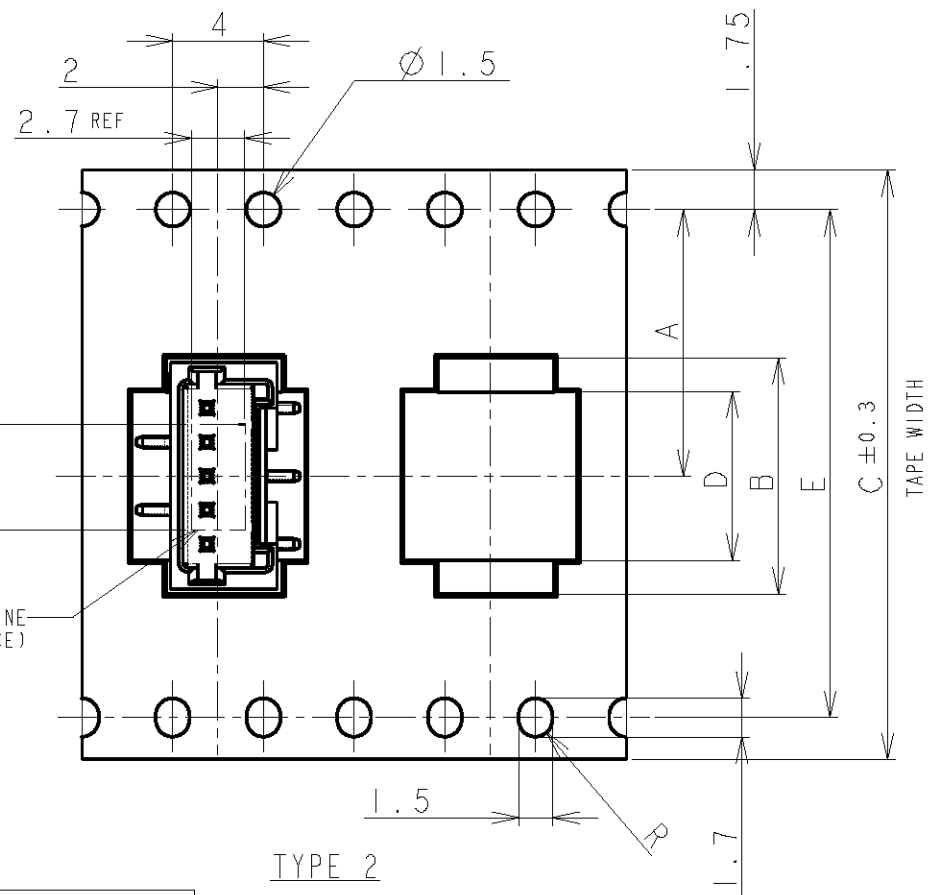
RELEASED FOR PUBLICATION

© COPYRIGHT BY ALL RIGHTS RESERVED.

LOC	DIST	REVISIONS				
P	LTR	DESCRIPTION	DATE	DWN	APVD	
FB	00	B1	REVISED PER ECO-11-005033	2APR11	RK	HMR

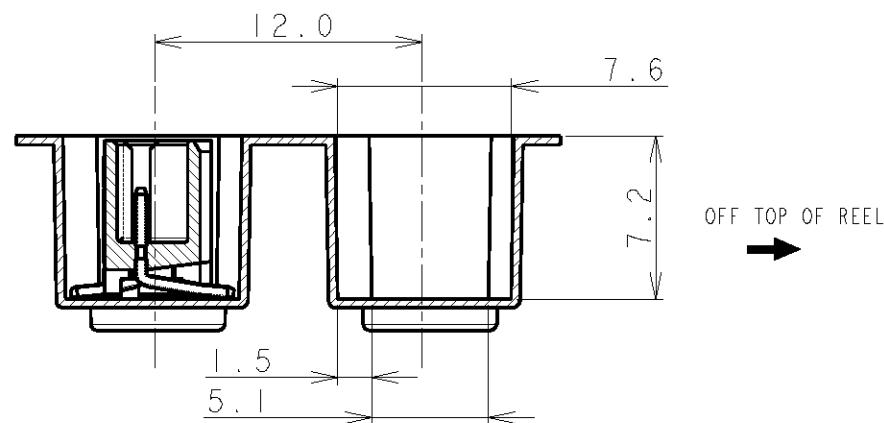
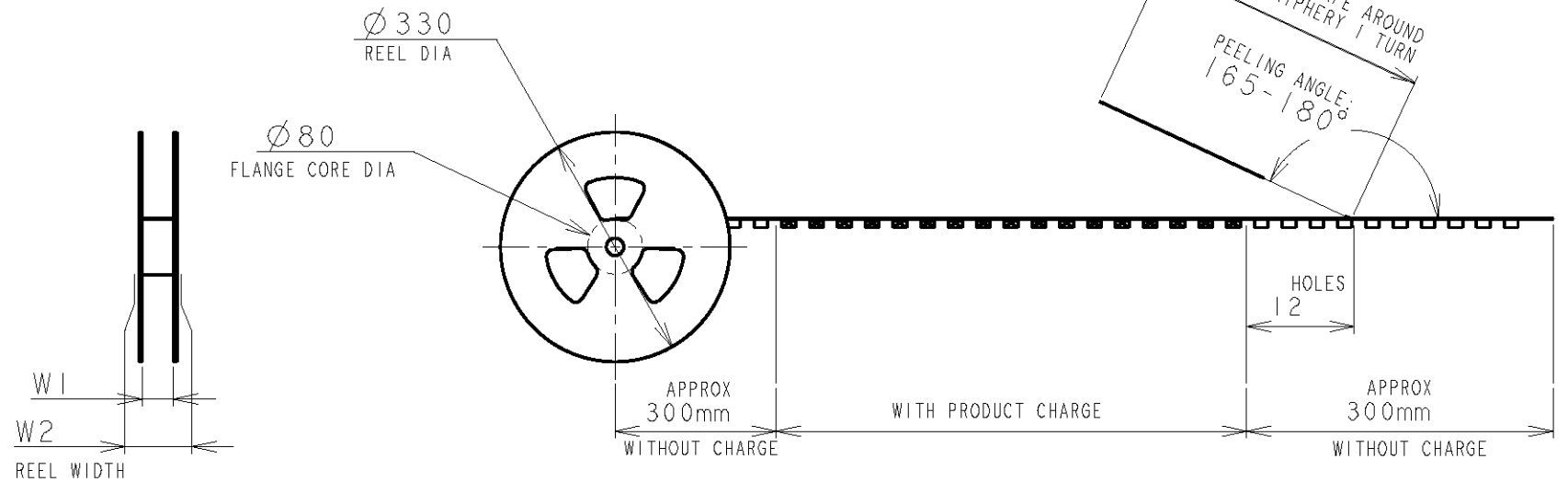
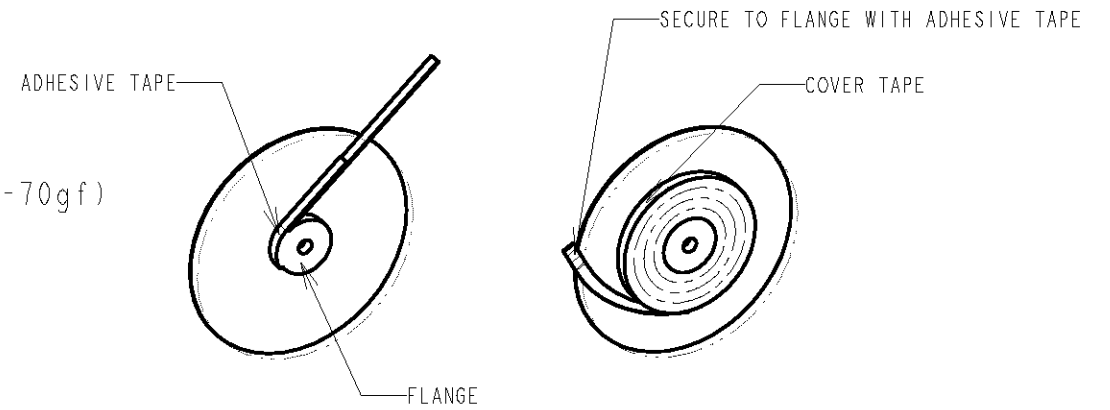


TYPE 1



TYPE 2

NOTE:
 1. PEELING STRENGTH: 0.20-0.69N (20-70gf)
 PEELING ANGLE: 165-180°
 PEELING SPEED: 300mm/MINUTE.



OFF TOP OF REEL

VACUUM NOZZLE OUTLINE (FOR REFERENCE)

TOLERANCES UNLESS OTHERWISE SPECIFIED:

- 10 > : ±0.2
- 30 > * > 10 : ±0.25
- 100 > * > 30 : ±0.3
- ANGLE : ±3°


DWN S. XU 31JAN03		STE TE Connectivity	
CHK S. YAO 31JAN03			
APVD T. SASAKI 31JAN03		NAME AMP Mini Common Terminated (CT) Connector 1.5mm PITCH SINGLE ROW POST HDR ASS'Y (V) SMT TYPE WITH BOSS, EMBOSS TAPE PACKAGED	
PRODUCT SPEC 108-60018		SIZE A3	CAGE CODE 00779
APPLICATION SPEC 114-5223		DRAWING NO C-292230	RESTRICTED TO -
MATERIAL - FINISH -		SCALE NON	SHEET 1 OF 4
CUSTOMER DRAWING		REV B1	

THIS DRAWING IS UNPUBLISHED. ALL RIGHTS RESERVED.

LOC	DIST	REVISIONS					
FB	00	P	LTR	DESCRIPTION	DATE	DWN	APVD
				SEE SHEET 1			

TAPE TYPE	W2	W1	F	E	D	C	B	A	QTY/REEL	POS	COLOR	ON TAPE P/N		
													DIMENSIONS	
TYPE 2	49.5	45.5	6.2	40.4	29.9	44	32.9	20.2±0.15	500	20	BLACK	7-292230-0		
	49.5	45.5	4.7	40.4	28.4	44	31.4		500	19		6-292230-9		
	49.5	45.5	6.2	40.4	26.9	44	29.9		500	18		6-292230-8		
	49.5	45.5	4.7	40.4	25.4	44	28.4		500	17		6-292230-7		
	49.5	45.5	6.2	40.4	23.9	44	26.9		500	16		6-292230-6		
	49.5	45.5	4.7	40.4	22.4	44	25.4		500	15		6-292230-5		
	49.5	45.5	6.2	40.4	20.9	44	23.9		500	14		6-292230-4		
	49.5	45.5	4.7	40.4	19.4	44	22.4		500	13		6-292230-3		
	37.5	33.5	6.2	28.4	17.9	32	20.9		14.2	500		12	6-292230-2	
	37.5	33.5	4.7	28.4	16.4	32	19.4		14.2	500		11	6-292230-1	
	37.5	33.5	6.2	28.4	14.9	32	17.9		14.2	500		10	6-292230-0	
	37.5	33.5	4.7	28.4	13.4	32	16.4		14.2	500		9	5-292230-9	
	TYPE 1	29.5	25.5	6.2	-	11.9	24		14.9	11.5		500	8	5-292230-8
		29.5	25.5	4.7	-	10.4	24		13.4	11.5		500	7	5-292230-7
29.5		25.5	6.2	-	8.9	24	11.9	11.5	500	6	5-292230-6			
29.5		25.5	4.7	-	7.4	24	10.4	11.5	500	5	5-292230-5			
21.5		17.5	6.2	-	5.9	16	8.9	7.5	500	4	5-292230-4			
21.5		17.5	4.7	-	4.4	16	7.4	7.5	500	3	5-292230-3			
21.5		17.5	2.8	-	2.9	16	5.9	7.5	500	2	-			

TAPE TYPE	W2	W1	F	E	D	C	B	A	QTY/REEL	POS	COLOR	ON TAPE P/N		
													DIMENSIONS	
TYPE 2	49.5	45.5	6.2	40.4	29.9	44	32.9	20.2±0.15	500	20	BEIGE	2-292230-0		
	49.5	45.5	4.7	40.4	28.4	44	31.4		500	19		1-292230-9		
	49.5	45.5	6.2	40.4	26.9	44	29.9		500	18		1-292230-8		
	49.5	45.5	4.7	40.4	25.4	44	28.4		500	17		1-292230-7		
	49.5	45.5	6.2	40.4	23.9	44	26.9		500	16		1-292230-6		
	49.5	45.5	4.7	40.4	22.4	44	25.4		500	15		1-292230-5		
	49.5	45.5	6.2	40.4	20.9	44	23.9		500	14		1-292230-4		
	49.5	45.5	4.7	40.4	19.4	44	22.4		500	13		1-292230-3		
	37.5	33.5	6.2	28.4	17.9	32	20.9		14.2	500		12	1-292230-2	
	37.5	33.5	4.7	28.4	16.4	32	19.4		14.2	500		11	1-292230-1	
	37.5	33.5	6.2	28.4	14.9	32	17.9		14.2	500		10	1-292230-0	
	37.5	33.5	4.7	28.4	13.4	32	16.4		14.2	500		9	292230-9	
	TYPE 1	29.5	25.5	6.2	-	11.9	24		14.9	11.5		500	8	292230-8
		29.5	25.5	4.7	-	10.4	24		13.4	11.5		500	7	292230-7
29.5		25.5	6.2	-	8.9	24	11.9	11.5	500	6	292230-6			
29.5		25.5	4.7	-	7.4	24	10.4	11.5	500	5	292230-5			
21.5		17.5	6.2	-	5.9	16	8.9	7.5	500	4	292230-4			
21.5		17.5	4.7	-	4.4	16	7.4	7.5	500	3	292230-3			
21.5		17.5	2.8	-	2.9	16	5.9	7.5	500	2	-			

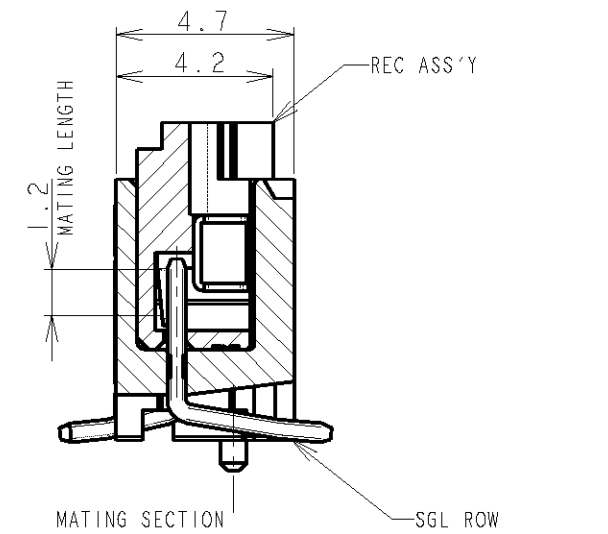
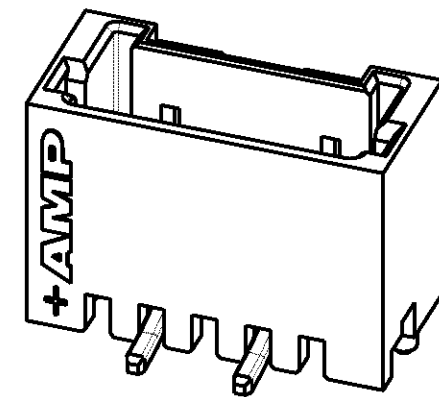
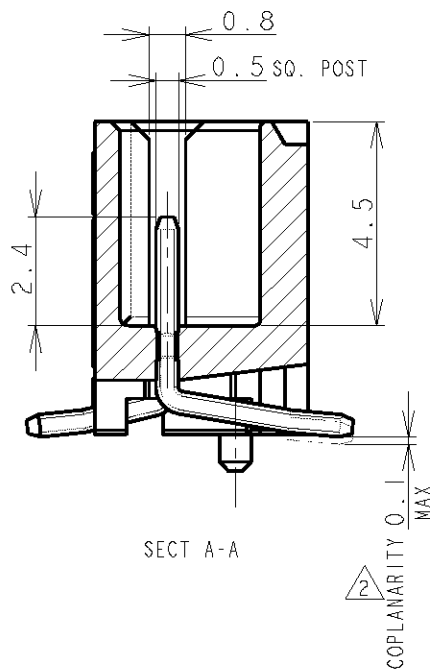
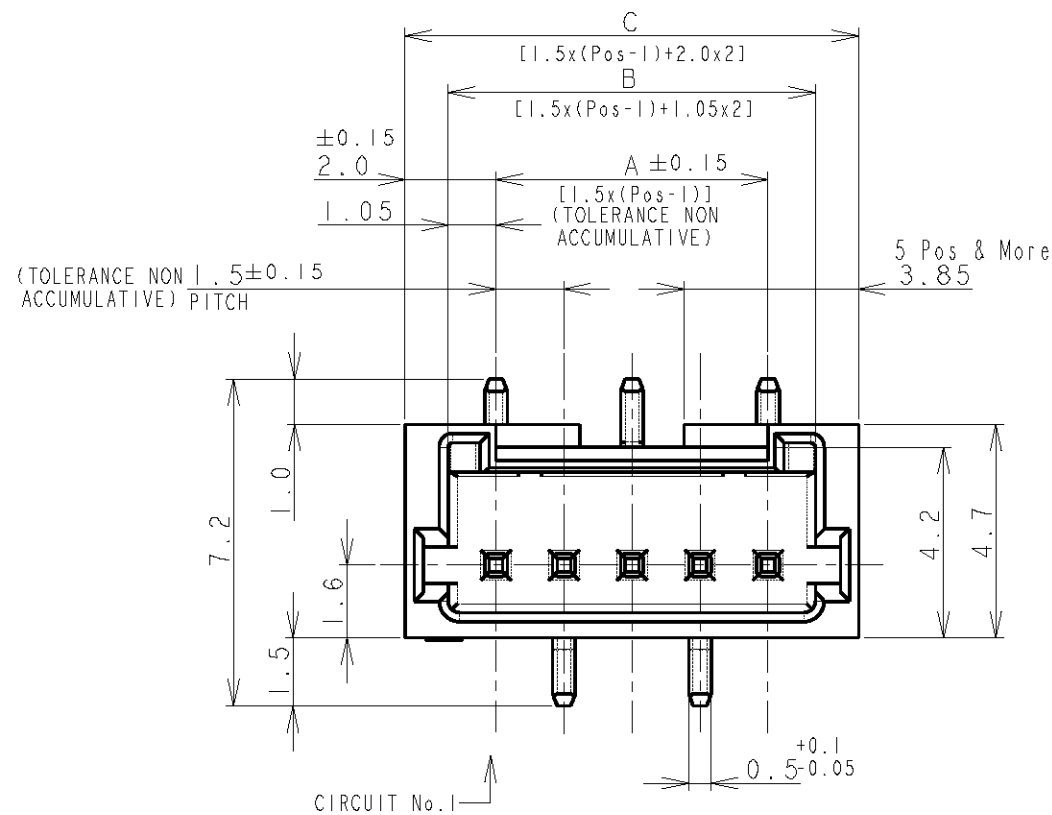
DIMENSIONS: mm	DWN	MATERIAL	FINISH
TOLERANCES UNLESS OTHERWISE SPECIFIED: 0 PLC ±0.1 1 PLC ±0.01 2 PLC ±0.01 3 PLC ±0.001 4 PLC ±0.0001 ANGLES ±	CHK	 TE Connectivity	
PRODUCT SPEC SEE SHEET 1 OF 4	APVD		
APPLICATION SPEC SEE SHEET 1 OF 4	NAME AMP Mini Common Terminated (CT) Connector 1.5mm PITCH SINGLE ROW POST HDR ASS'Y (V) SMT TYPE WITH BOSS, EMBOSS TAPE PACKAGED		
WGT	SIZE	CAGE CODE	DRAWING NO
CUSTOMER DRAWING	A4	00779	C=292230
	SCALE	SHEET	REV
	NON	2 OF 4	B1

THIS DRAWING IS UNPUBLISHED.

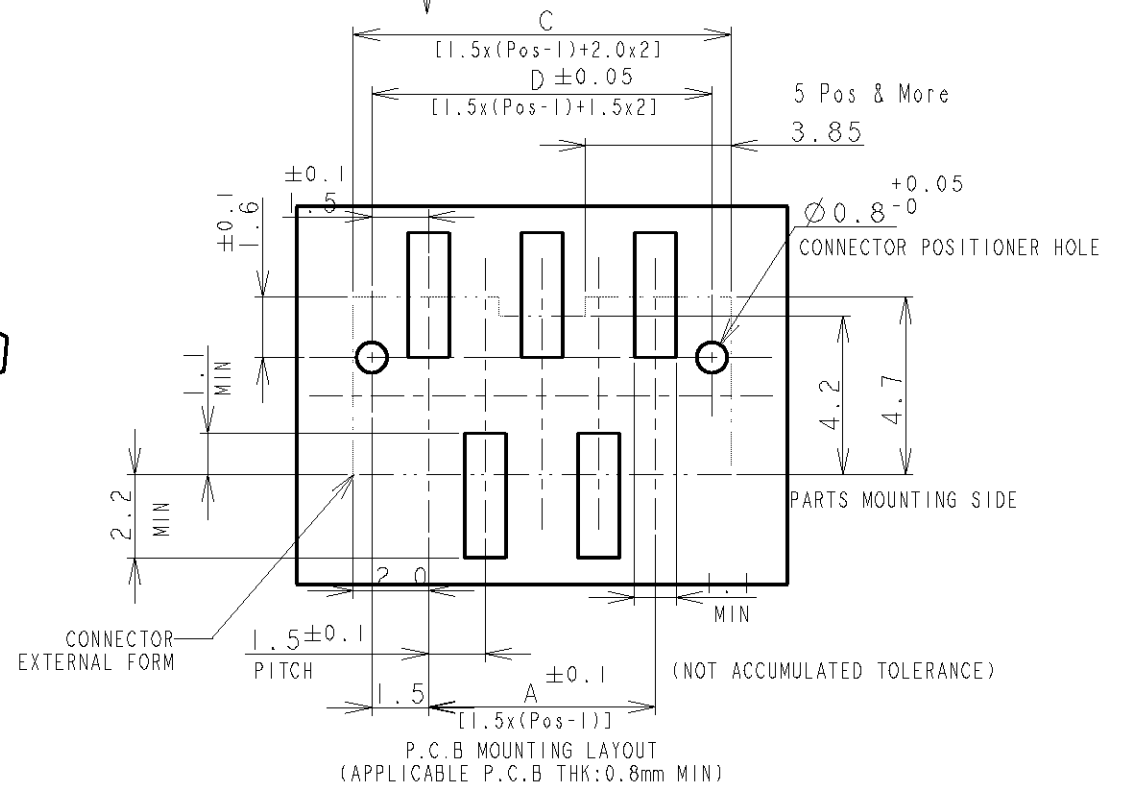
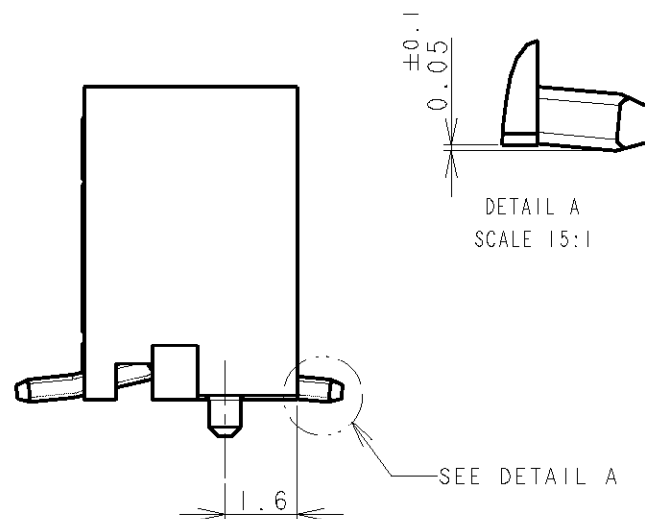
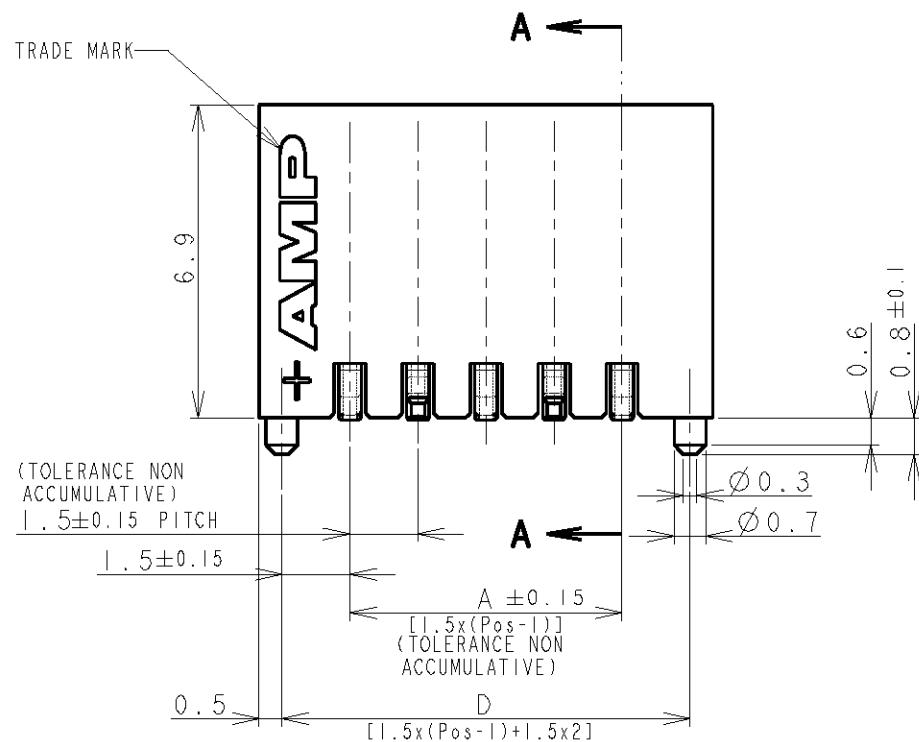
RELEASED FOR PUBLICATION

© COPYRIGHT BY ALL RIGHTS RESERVED.

LOC	DIST	REVISIONS			
P	LTR	DESCRIPTION	DATE	DWN	APVD
FB	00	SEE SHEET 1			



CIRCUIT No. 1





NOTES:
 1. MATERIAL:
 HOUSING: GLASS FILLED, HIGH HEAT RESISTANT NYLON, UL94V-0, COLOR: BEIGE OR BLACK
 POST: Sn-100% BRASS WIRE
 TO BE MEASURED WITH CONNECTOR PLACED ON HORIZONTAL DATUM SURFACE, FLOAT OF SOLDER TINE FROM DATUM SURFACE IS 0.1mm MAX.

DWN		STE TE Connectivity	
CHK			
APVD		NAME	
PRODUCT SPEC		AMP MINI COMMON TERMINATION (CT) CONNECTOR 1.5 mm PITCH SINGLE ROW POST HDR ASS'Y (V) SMT TYPE WITH BOSS	
APPLICATION SPEC		RESTRICTED TO	
WEIGHT		SIZE	CAGE CODE
MATERIAL		DRAWING NO	
SEE NOTE 1		A3 00779 C-292230	
FINISH		CUSTOMER DRAWING	
SEE NOTE 1		SCALE	SHEET
		NON	3 OF 4
			REV B1

THIS DRAWING IS UNPUBLISHED. ALL RIGHTS RESERVED. BY COPYRIGHT

LOC	DIST	REVISIONS					
FB	00	P	LTR	DESCRIPTION	DATE	DWN	APVD
		-		SEE SHEET 1	-	-	-

0.98	31.5	32.5	30.6	28.5	20	7-292230-0	2-292230-0
0.93	30.0	31.0	29.1	27.0	19	6-292230-9	1-292230-9
0.89	28.5	29.5	27.6	25.5	18	6-292230-8	1-292230-8
0.84	27.0	28.0	26.1	24.0	17	6-292230-7	1-292230-7
0.80	25.5	26.5	24.6	22.5	16	6-292230-6	1-292230-6
0.75	24.0	25.0	23.1	21.0	15	6-292230-5	1-292230-5
0.71	22.5	23.5	21.6	19.5	14	6-292230-4	1-292230-4
0.66	21.0	22.0	20.1	18.0	13	6-292230-3	1-292230-3
0.62	19.5	20.5	18.6	16.5	12	6-292230-2	1-292230-2
0.57	18.0	19.0	17.1	15.0	11	6-292230-1	1-292230-1
0.52	16.5	17.5	15.6	13.5	10	6-292230-0	1-292230-0
0.48	15.0	16.0	14.1	12.0	9	5-292230-9	292230-9
0.43	13.5	14.5	12.6	10.5	8	5-292230-8	292230-8
0.39	12.0	13.0	11.1	9.0	7	5-292230-7	292230-7
0.34	10.5	11.5	9.6	7.5	6	5-292230-6	292230-6
0.30	9.0	10.0	8.1	6.0	5	5-292230-5	292230-5
0.25	7.5	8.5	6.6	4.5	4	5-292230-4	292230-4
0.20	6.0	7.0	5.1	3.0	3	5-292230-3	292230-3
0.17	4.5	5.5	3.6	1.5	2	-	-
WEIGHT (g)	D	C	B	A	Pos.	BLACK	BEIGE (NAT)
	DIMENSIONS					P/N	

DIMENSIONS: mm	DWN	MATERIAL	FINISH
TOLERANCES UNLESS OTHERWISE SPECIFIED:	CHK	SEE SHEET 1	SEE SHEET 1
0 PLC ±	APVD	 TE Connectivity	
1 PLC ±	PRODUCT SPEC		
2 PLC ±	APPLICATION SPEC	NAME	
3 PLC ±	WEIGHT	AMP MINI COMMON TERMINATED (CT) CONNECTOR 1.5 mm PITCH	
4 PLC ±	CUSTOMER DRAWING	SINGLE ROW POST HDR ASS'Y (V) SMT TYPE WITH BOSS	
ANGLES ±		SIZE	RESTRICTED TO
		A4	
		00779	
		C=292230	
		SCALE	SHEET
		NON	4 OF 4
			REV B1

X-ON Electronics

Largest Supplier of Electrical and Electronic Components

Click to view similar products for [Headers & Wire Housings](#) category:

Click to view products by [TE Connectivity](#) manufacturer:

Other Similar products are found below :

[892-18-020-10-001101](#) [58102-G61-06LF](#) [582553-1](#) [0009485154](#) [009176003701906](#) [0050291907](#) [LY20-4P-DT1-P1E-BR](#) [02.125.8002.8](#)
[609-3404](#) [61062-3](#) [61082-181009](#) [622-3653LF](#) [63453-116](#) [636-1030](#) [636-1427](#) [636-3427](#) [636-4007](#) [641938-9](#) [641991-4](#) [644827-2](#) [65817-](#)
[010LF](#) [65817-015LF](#) [65863-015LF](#) [66207-023LF](#) [67095-007LF](#) [67601157](#) [68645-018](#) [68648-049](#) [70.362.1628.0](#) [70-4210](#) [70-4226B](#) [70-](#)
[4853B](#) [707-5020](#) [707-5028](#) [71.350.2428.0](#) [71918-208LF](#) [71961-016LF](#) [733-134](#) [733-162](#) [754199-000](#) [760-3052](#) [787-8014-00](#) [79531-3000](#)
[FCN-360C032-B](#) [FCN-367T-T012/H](#) [FCN-723D010/2](#) [80.063.4001.1](#) [800-90-001-10-001000](#) [800-90-010-10-002000](#) [801-43-002-10-013000](#)