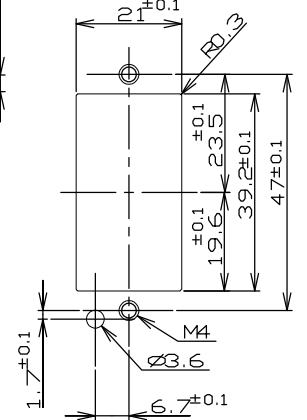
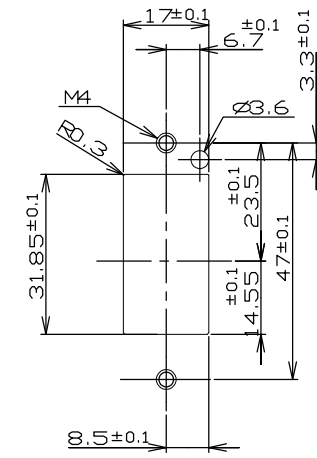
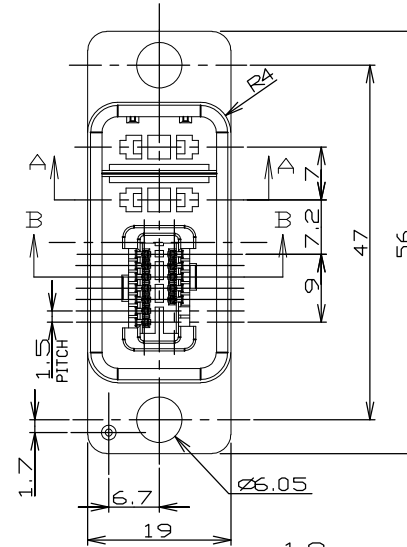
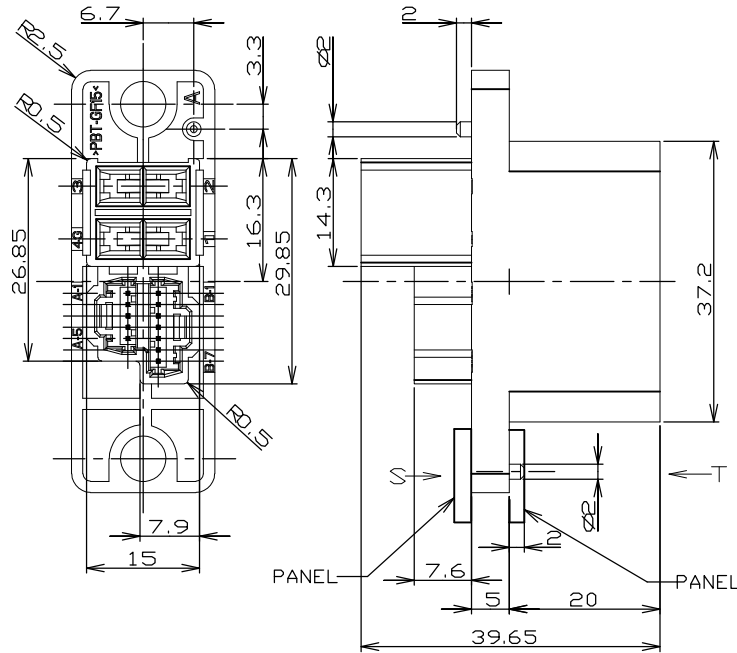
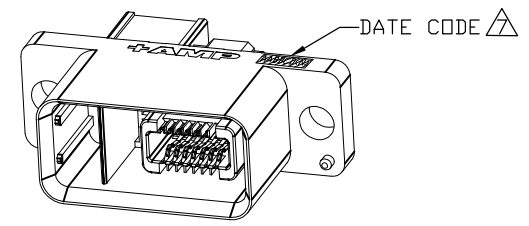
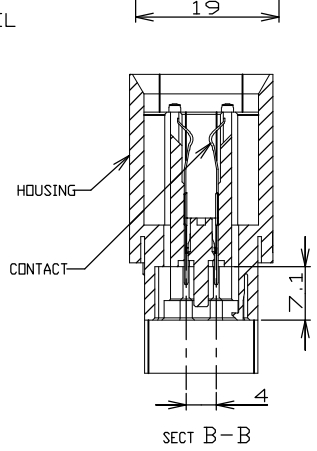


P	LTR	DESCRIPTION	DATE	DWN	APVD
C1		REVISED ECR-07-028230	26NOV07	A.L	S.Y



PANEL CUT DIMENSIONS (CONNECTOR MATING SIDE)



SCALE 6:5

- NOTES:
 ① USE WITH M.T. REC. CONN P/N: X-353293-X
 CRIMP HSG P/N: X-353908-X
 CRIMP CNT P/N: 353907-1
 353918-1(L/P)

2. APPLICABLE POWER CONTACT P/N

FINISH	AWG	STRIP	LOOSE PIECE
GOLD	#16-20	179321-3	
PLT	#20-24	179322-3	
TIN	#16-20	179321-2	
PLT	#20-24	179322-2	

- △ MATERIAL:
 HOUSING: PBT GF. UL94V-0 COLOR: BLACK
 SIGNAL CONTACT: PHOSPHOR BRONZE
- △ FINISH:
 CONTACT: NICKEL UNDERPLATE ALL OVER
 CONTACT AREA: GOLD PLATE.
 POST AREA: MATTE TIN PLATE.
- △ P: NUMBER OF POWER CONTACT (UNASSEMBLED)
 S: NUMBER OF SIGNAL CONTACT (ASSEMBLED)
 M: MATING COUNTER P/N: N1-292240-2
- △ LOCATION OF DATE CODE (PRINTED BY HOT-BAR): AABBCD(N)
 (AA: YEAR, BB: WEEK, C: DAY OF WEEK, D: DAYTIME, N: NIGHT)

TOLERANCES UNLESS OTHERWISE SPECIFIED:

10 >	: ±0.2
30 > * > 10	: ±0.25
100 > * > 30	: ±0.3
ANGLE	: ±3°

THIS DRAWING IS A CONTROLLED DOCUMENT FOR TYCO ELECTRONICS CORPORATION IT IS SUBJECT TO CHANGE AND THE CONTROLLING ENGINEERING ORGANIZATION SHOULD BE CONTACTED FOR THE LATEST REVISION.

DIMENSIONS: M/M	TOLERANCES UNLESS OTHERWISE SPECIFIED: 0 PLC ± 1 PLC ± 2 PLC ± 3 PLC ± 4 PLC ± ANGLES ±	DWN S.XU 31JAN03	31JAN03	Tyco Electronics Corporation Shanghai, PRC
MATERIAL: SEE NOTE △	FINISH: SEE NOTE △	CHK S.YAO 31JAN03	APVD T.SASAKI 31JAN03	
APPLICATION SPEC: 108-60027		NAME: T.SASAKI		PLUG ASS'Y for 1.5mm PITCH MINI CT HYBRID DRAWER CONNECTOR
APPLICATION SPEC: 114-5182		SIZE: A3	CAGE CODE: 00779	
CUSTOMER DRAWING		RESTRICTED TO		SCALE: NON
		SHEET 1 OF 1		REV C1

X-ON Electronics

Largest Supplier of Electrical and Electronic Components

Click to view similar products for [Headers & Wire Housings](#) category:

Click to view products by [TE Connectivity](#) manufacturer:

Other Similar products are found below :

[892-18-020-10-001101](#) [58102-G61-06LF](#) [582553-1](#) [0009485154](#) [009176003701906](#) [0050291907](#) [LY20-4P-DT1-P1E-BR](#) [02.125.8002.8](#)
[609-3404](#) [61062-3](#) [61082-181009](#) [622-3653LF](#) [63453-116](#) [636-1030](#) [636-1427](#) [636-3427](#) [636-4007](#) [641938-9](#) [641991-4](#) [644827-2](#) [65817-](#)
[010LF](#) [65817-015LF](#) [65863-015LF](#) [66207-023LF](#) [67095-007LF](#) [67601157](#) [68645-018](#) [68648-049](#) [70.362.1628.0](#) [70-4210](#) [70-4226B](#) [70-](#)
[4853B](#) [707-5020](#) [707-5028](#) [71.350.2428.0](#) [71918-208LF](#) [71961-016LF](#) [733-134](#) [733-162](#) [754199-000](#) [760-3052](#) [787-8014-00](#) [79531-3000](#)
[FCN-360C032-B](#) [FCN-367T-T012/H](#) [FCN-723D010/2](#) [80.063.4001.1](#) [800-90-001-10-001000](#) [800-90-010-10-002000](#) [801-43-002-10-013000](#)