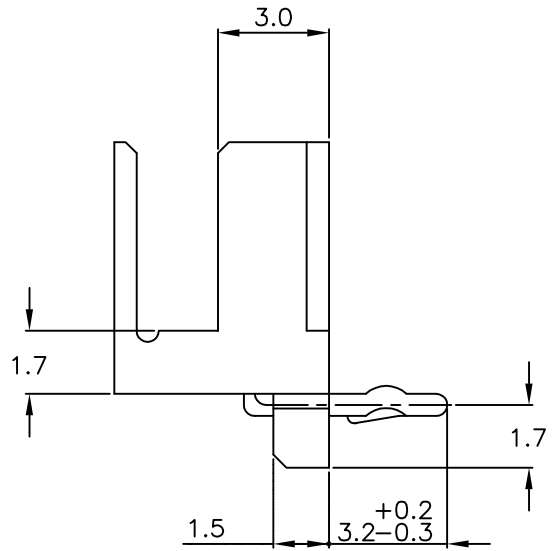
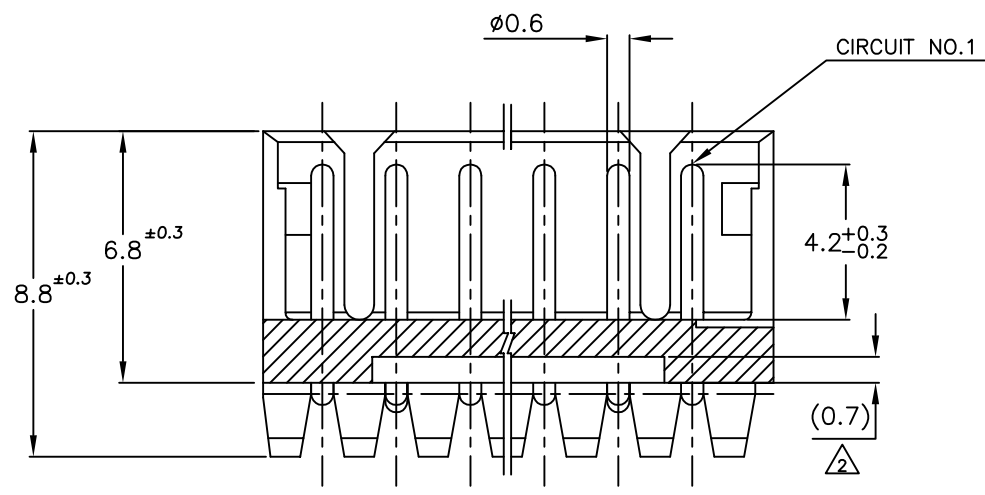
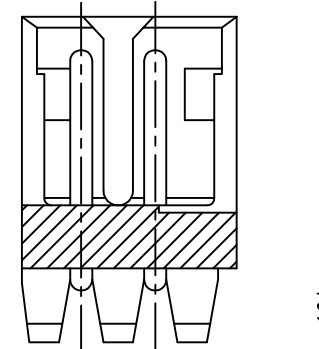
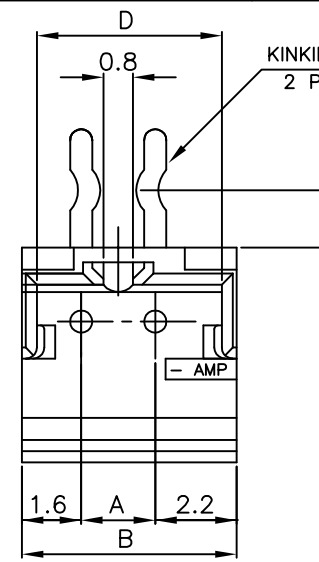
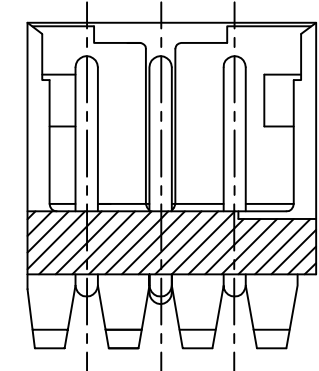
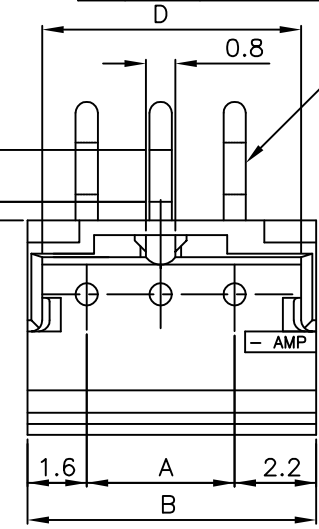
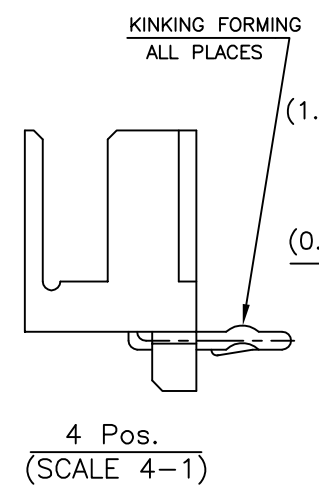
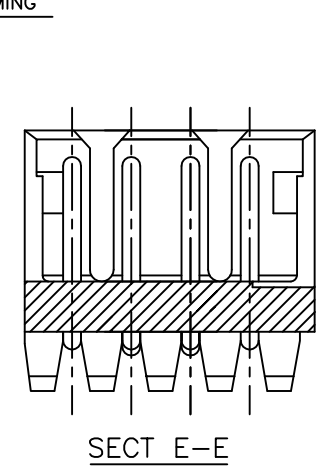
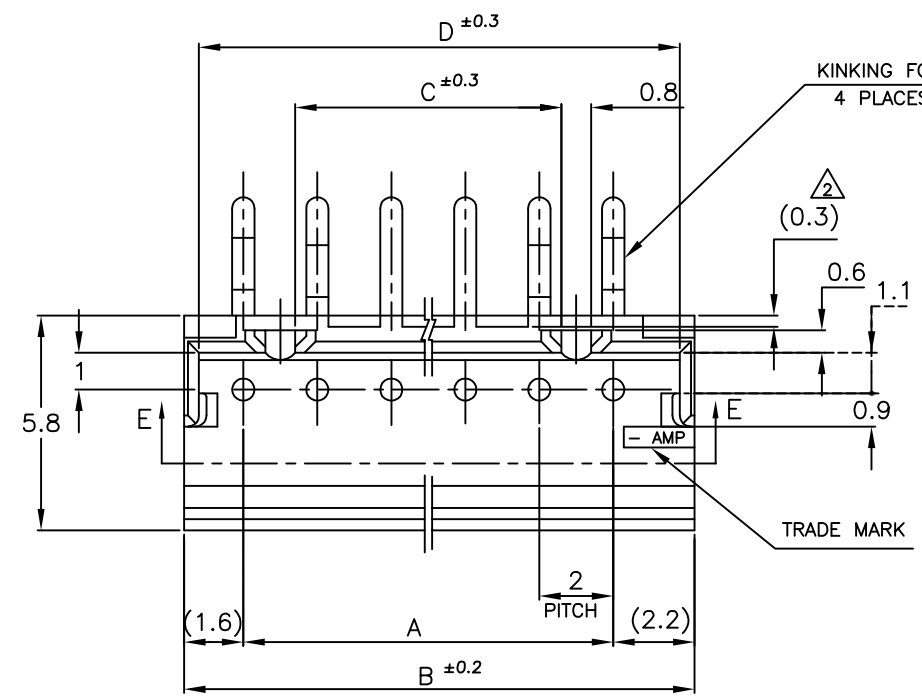


THIS DRAWING IS UNPUBLISHED. RELEASED FOR PUBLICATION
 © COPYRIGHT - By - ALL RIGHTS RESERVED.

LOC	DIST	REVISIONS		
FB	00	P	LTR	DESCRIPTION
		P1	REVISED	ECR-14-006619
				DATE
				15MAY14
				DWN
				T.Q
				APVD
				W.H

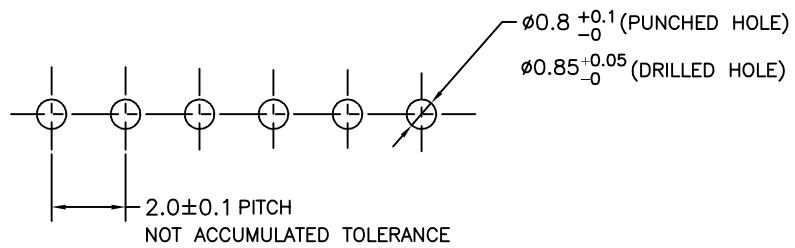


5~15 Pos.

7-292250-5	5-292250-5	3-292250-5	1-292250-5	15	28	31.8	25.2	31.0
7-	4-	5-	3-	14	26	29.8	23.2	29.0
7-	3-	5-	3-	13	24	27.8	21.2	27.0
7-	2-	5-	2-	12	22	25.8	19.2	25.0
7-	1-	5-	1-	11	20	23.8	17.2	23.0
7-	0-	5-	0-	10	18	21.8	15.2	21.0
6-	9-	4-	9-	9	16	19.8	13.2	19.0
6-	8-	4-	8-	8	14	17.8	11.2	17.0
6-	7-	4-	7-	7	12	15.8	9.2	15.0
6-	6-	4-	6-	6	10	13.8	7.2	13.0
6-	5-	4-	5-	5	8	11.8	5.2	11.0
6-	4-	4-	4-	4	6	9.8	3.2	9.0
6-	3-	4-	3-	3	4	7.8	—	7.0
6-292250-2	4-292250-2	2-292250-2	292250-2	2	2	5.8	—	5.0
BLACK	YELLOW	BLUE	NATURAL	Pos.	A	B	C	D

NOTES:

- 1. MATERIAL: HOUSING - NYLON 66 (UL94V-0)
POST - TIN BRASS
- △ 12 POS ~ 15 POS ONLY



RECOMMENDABLE PCB LAYOUT
(PCB THK:0.8-1.6)

THIS DRAWING IS A CONTROLLED DOCUMENT.

DWN	S.XU	31JAN03
CHK	S.YAO	31JAN03
APVD	T. SAKAKI	31JAN03
PRODUCT SPEC	108-60016	
APPLICATION SPEC	-	
WEIGHT	-	
CUSTOMER DRAWING	SCALE 5:1	

TE Connectivity

POST HEADER ASS'Y BOX-H DIP
(AMP CT CONNECTOR 2mm PITCH)

SIZE	CAGE CODE	DRAWING NO	RESTRICTED TO
A3	00779	C=292250	-

SHEET 1 OF 1 REV P1

X-ON Electronics

Largest Supplier of Electrical and Electronic Components

Click to view similar products for [Headers & Wire Housings](#) category:

Click to view products by [TE Connectivity](#) manufacturer:

Other Similar products are found below :

[892-18-020-10-001101](#) [58102-G61-06LF](#) [582553-1](#) [0009485154](#) [009176003701906](#) [0050291907](#) [LY20-4P-DT1-P1E-BR](#) [02.125.8002.8](#)
[609-3404](#) [61062-3](#) [61082-181009](#) [622-3653LF](#) [63453-116](#) [636-1030](#) [636-1427](#) [636-3427](#) [636-4007](#) [641938-9](#) [641991-4](#) [644827-2](#) [65817-](#)
[010LF](#) [65817-015LF](#) [65863-015LF](#) [66207-023LF](#) [67095-007LF](#) [67601157](#) [68645-018](#) [68648-049](#) [70.362.1628.0](#) [70-4210](#) [70-4226B](#) [70-](#)
[4853B](#) [707-5020](#) [707-5028](#) [71.350.2428.0](#) [71918-208LF](#) [71961-016LF](#) [733-134](#) [733-162](#) [754199-000](#) [760-3052](#) [787-8014-00](#) [79531-3000](#)
[FCN-360C032-B](#) [FCN-367T-T012/H](#) [FCN-723D010/2](#) [80.063.4001.1](#) [800-90-001-10-001000](#) [800-90-010-10-002000](#) [801-43-002-10-013000](#)