

4

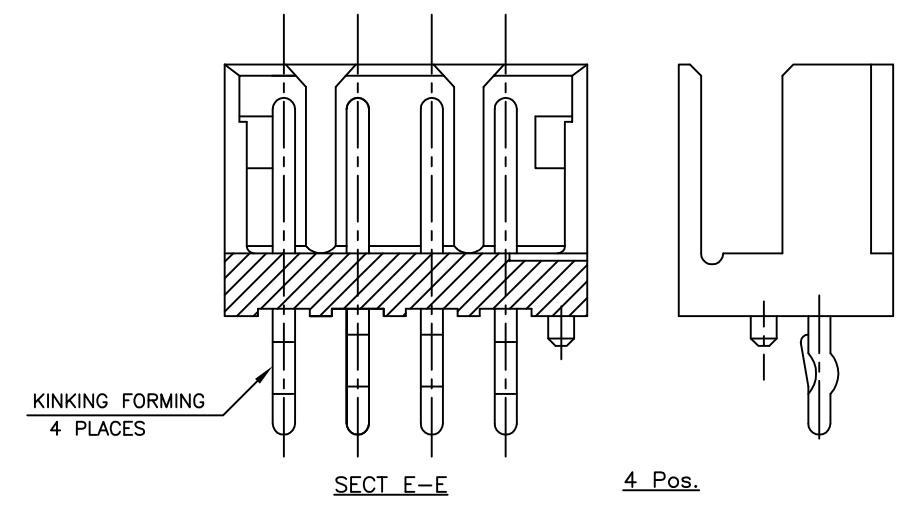
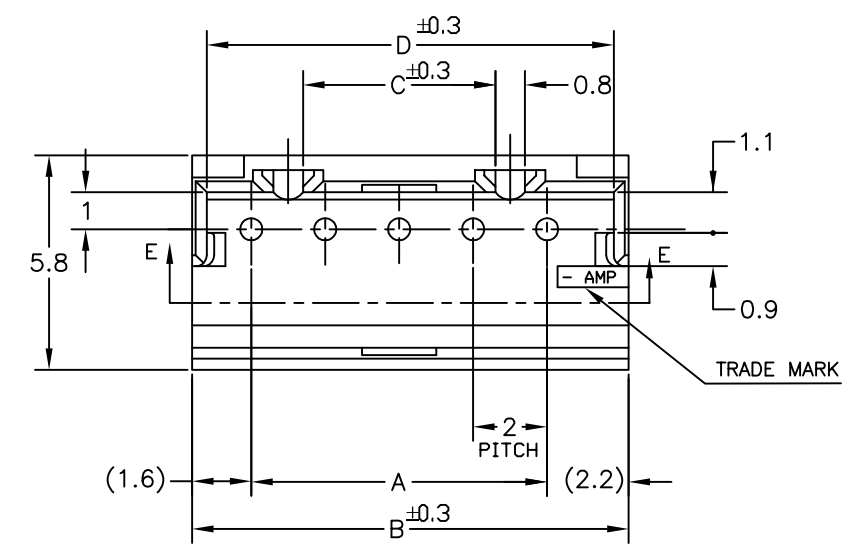
3

2

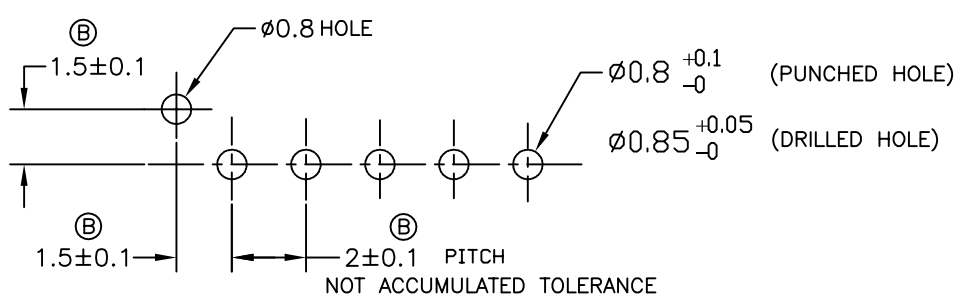
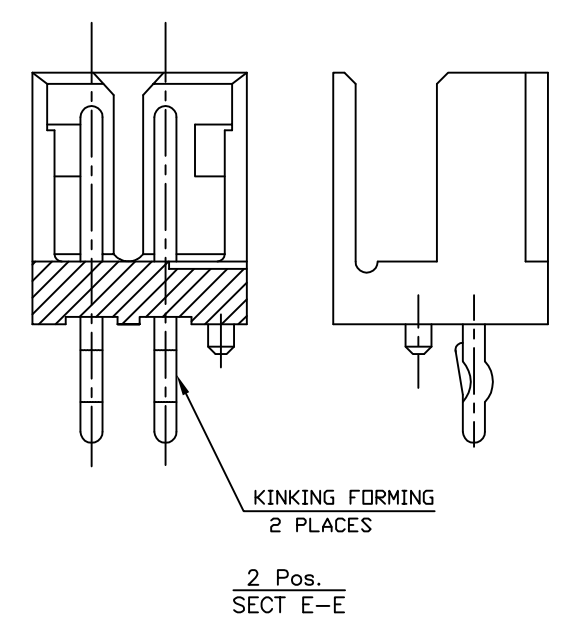
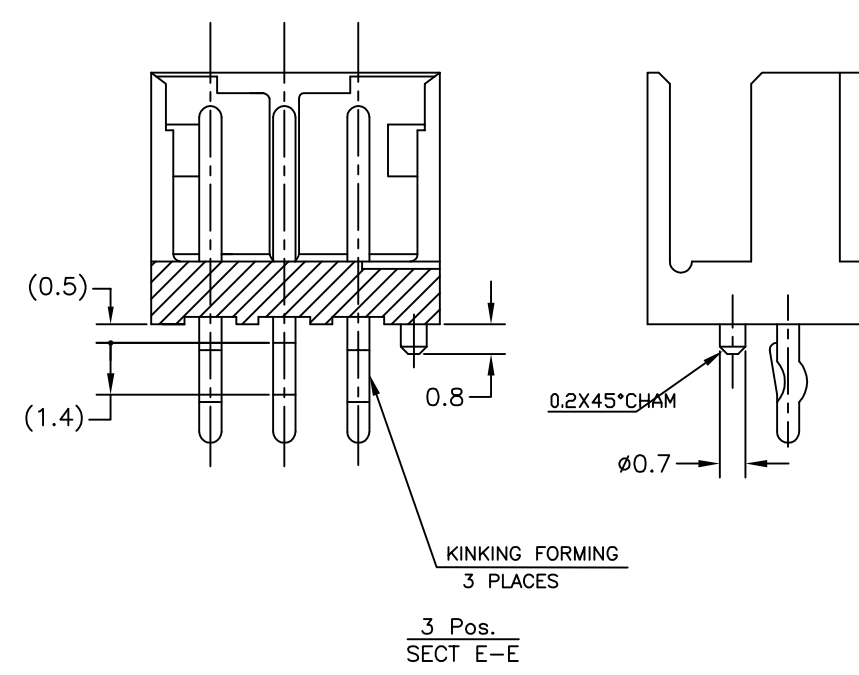
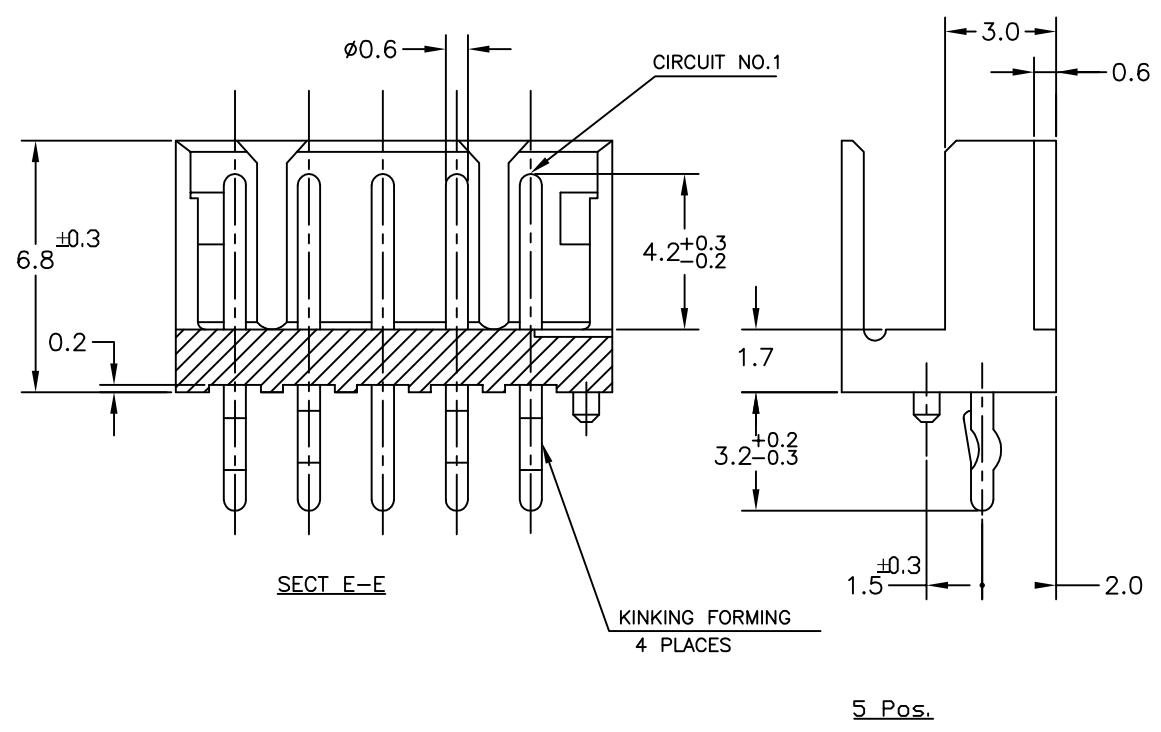
1

THIS DRAWING IS UNPUBLISHED. RELEASED FOR PUBLICATION
 © COPYRIGHT - By - ALL RIGHTS RESERVED.


LOC	DIST	REVISIONS					
ES	00	P	LTR	DESCRIPTION	DATE	DWN	APVD
		B2		ECR-14-006619	12MAY2014	T.Q	W.H



NOTES:
 1. MATERIAL: HOUSING - NYLON 66 (UL94V-0)
 POST - TIN BRASS



RECOMMENDABLE PCB LAYOUT
 (PCB THK: 0.8-1.6)

THIS DRAWING IS A CONTROLLED DOCUMENT.		DWN	S.XU	06NOV03	 TE Connectivity
DIMENSIONS: mm		CHK	S.YAO	06NOV03	
TOLERANCES UNLESS OTHERWISE SPECIFIED: ±0.2		APVD	T. SASAKI	06NOV03	
0-PLC ± 1-PLC ± 2-PLC ± 3-PLC ± 4-PLC ± ANGLES ±		PRODUCT SPEC	NAME		
MATERIAL SEE NOTE		FINISH SEE NOTE		108-60016	
		APPLICATION SPEC		POST HEADER ASS'Y POLARIZE TYPE (BOX-V TYPE) (AMP CT CONNECTOR 2mm PITCH)	
		WEIGHT		SIZE	
		CUSTOMER DRAWING		A3 00779 C=292251	
		SCALE		SHEET	
		5:1		1 of 2	
		REV		B2	

4

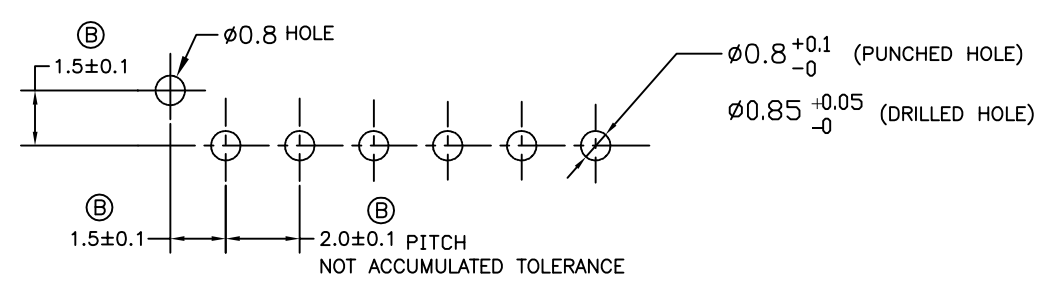
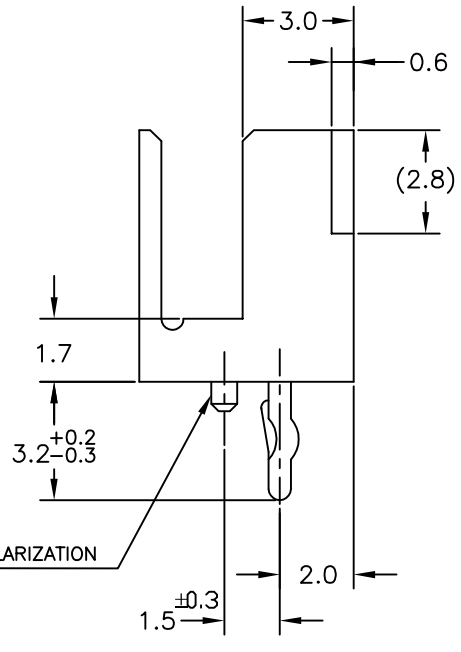
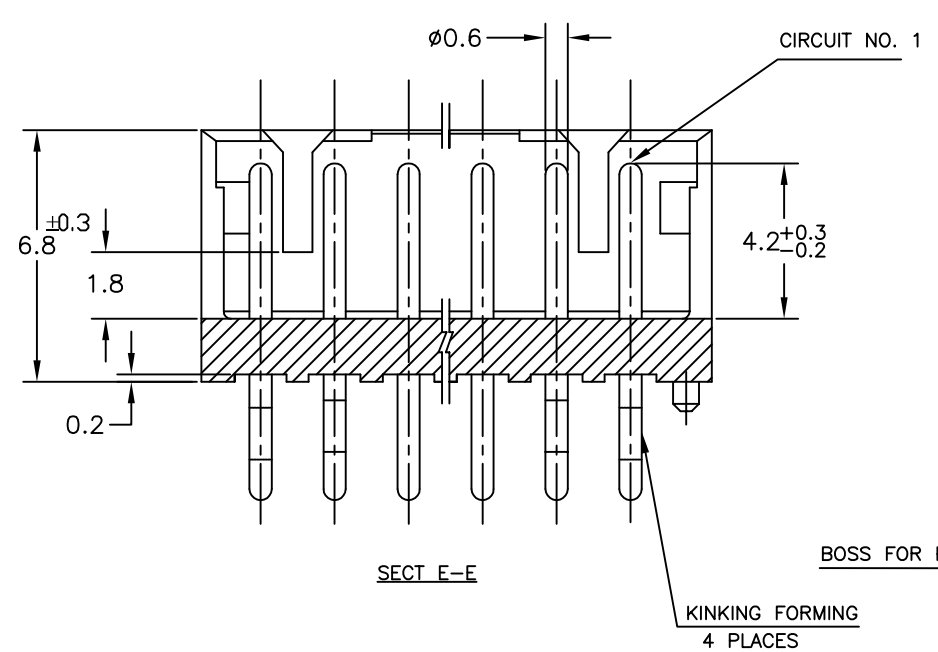
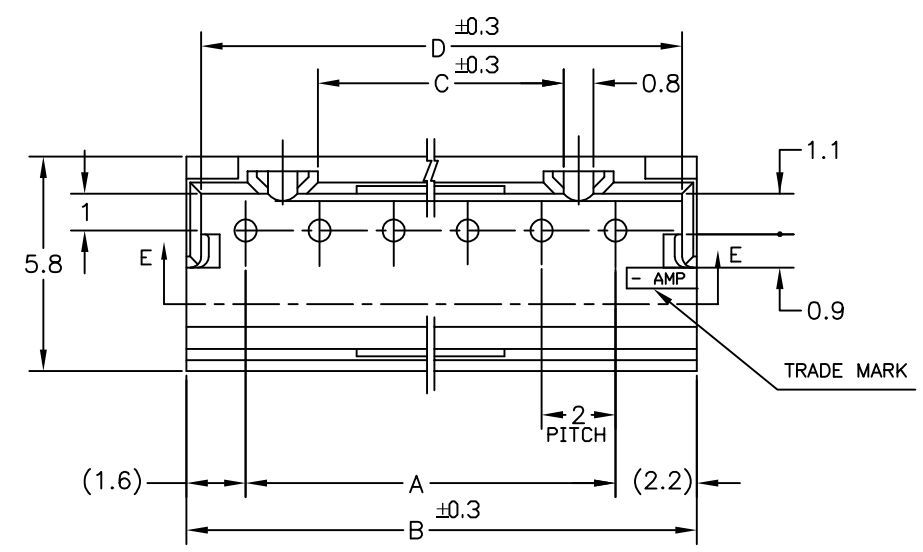
3

2

1

THIS DRAWING IS UNPUBLISHED. RELEASED FOR PUBLICATION
 © COPYRIGHT - By - ALL RIGHTS RESERVED.

LOC	DIST	REVISIONS				
P	LTR	DESCRIPTION	DATE	DWN	APVD	
ES	00	SEE SHEET 1	-	-	-	



NOTES:

1.MATERIAL: HOUSING - NYLON 66 (UL94V-0)
 POST - TIN BRASS

	1-292251-5	15	28	31.8	25.2	31.0		
	1-	-4	14	26	29.8	23.2	29.0	
	1-	-3	13	24	27.8	21.2	27.0	
	1-	-2	12	22	25.8	19.2	25.0	
	1-	-1	11	20	23.8	17.2	23.0	
	1-	-0	10	18	21.8	15.2	21.0	
		-9	9	16	19.8	13.2	19.0	
		-8	8	14	17.8	11.2	17.0	
		-7	7	12	15.8	9.2	15.0	
		-6	6	10	13.8	7.2	13.0	
		-5	5	8	11.8	5.2	11.0	
	2-292251-4		-4	4	6	9.8	3.2	9.0
			-3	3	4	7.8	0	7.0
	2-292251-2		292251-2	2	2	5.8	0	5.0
	BLUE		NATURAL	Pos.	A	B	C	D
	PART NO.							

THIS DRAWING IS A CONTROLLED DOCUMENT.		DWN	TE Connectivity			
DIMENSIONS: mm		CHK	NAME			
TOLERANCES UNLESS OTHERWISE SPECIFIED: ±0.2		APVD	POST HEADER ASS'Y POLARIZE TYPE (BOX-V TYPE) (AMP CT CONNECTOR 2mm PITCH)			
0 PLC ± 1 PLC ± 2 PLC ± 3 PLC ± 4 PLC ± ANGLES ±- FINISH		PRODUCT SPEC	SIZE	CAGE CODE	DRAWING NO	RESTRICTED TO
MATERIAL		APPLICATION SPEC	A3	00779	C-292251	
		WEIGHT	CUSTOMER DRAWING		SCALE	SHEET
					5:1	2 of 2
						REV B2

X-ON Electronics

Largest Supplier of Electrical and Electronic Components

Click to view similar products for [Headers & Wire Housings](#) category:

Click to view products by [TE Connectivity](#) manufacturer:

Other Similar products are found below :

[892-18-020-10-001101](#) [58102-G61-06LF](#) [582553-1](#) [0009485154](#) [009176003701906](#) [0050291907](#) [LY20-4P-DT1-P1E-BR](#) [02.125.8002.8](#)
[609-3404](#) [61062-3](#) [61082-181009](#) [622-3653LF](#) [63453-116](#) [636-1030](#) [636-1427](#) [636-3427](#) [636-4007](#) [641938-9](#) [641991-4](#) [644827-2](#) [65817-](#)
[010LF](#) [65817-015LF](#) [65863-015LF](#) [66207-023LF](#) [67095-007LF](#) [67601157](#) [68645-018](#) [68648-049](#) [70.362.1628.0](#) [70-4210](#) [70-4226B](#) [70-](#)
[4853B](#) [707-5020](#) [707-5028](#) [71.350.2428.0](#) [71918-208LF](#) [71961-016LF](#) [733-134](#) [733-162](#) [754199-000](#) [760-3052](#) [787-8014-00](#) [79531-3000](#)
[FCN-360C032-B](#) [FCN-367T-T012/H](#) [FCN-723D010/2](#) [80.063.4001.1](#) [800-90-001-10-001000](#) [800-90-010-10-002000](#) [801-43-002-10-013000](#)