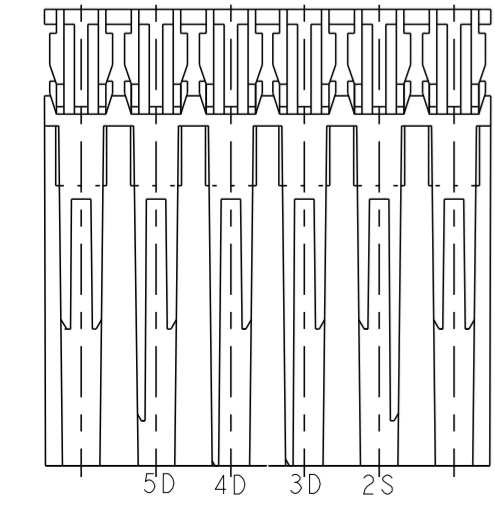
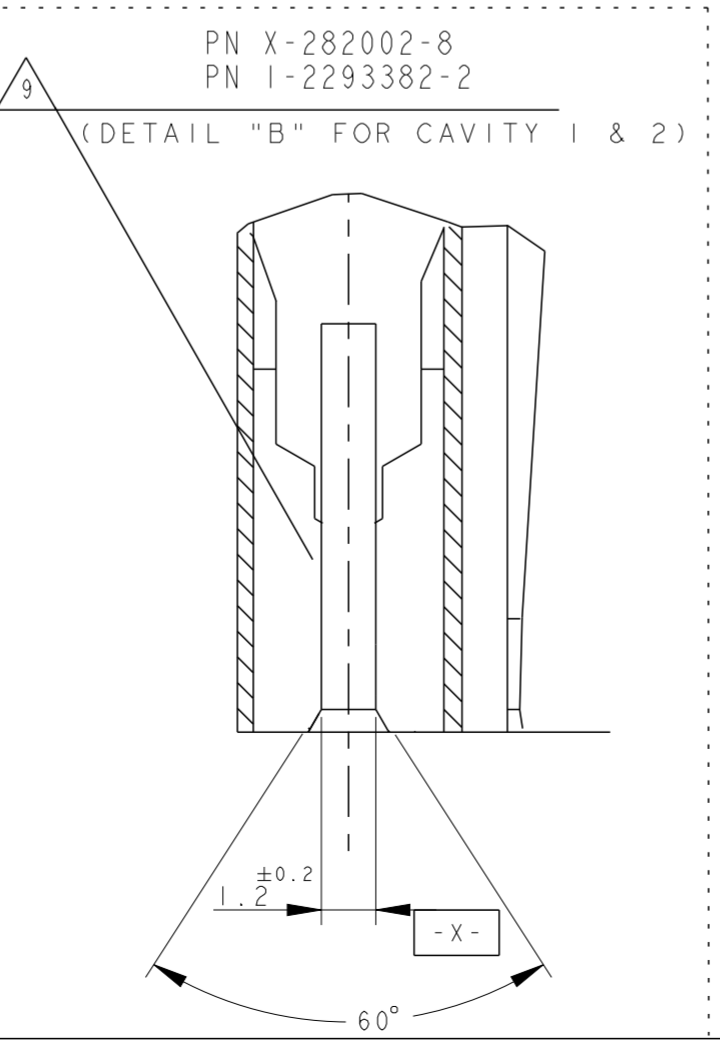
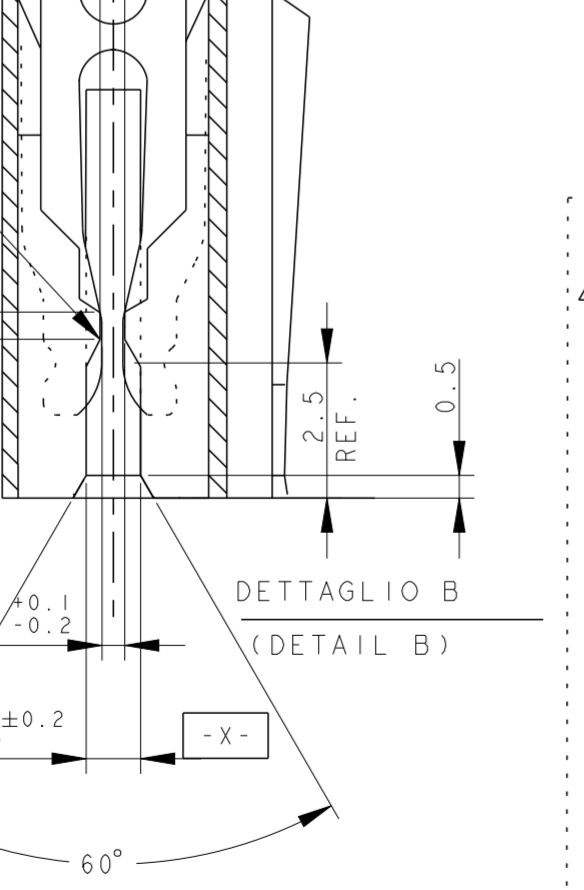
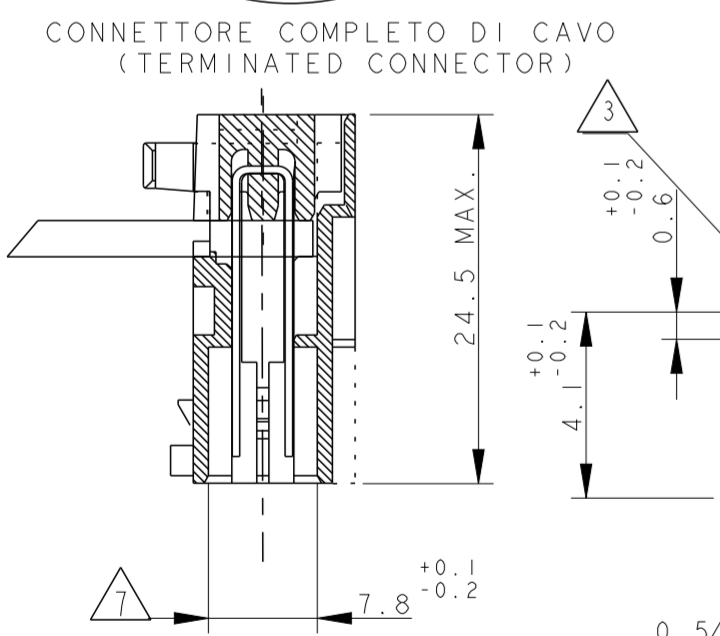
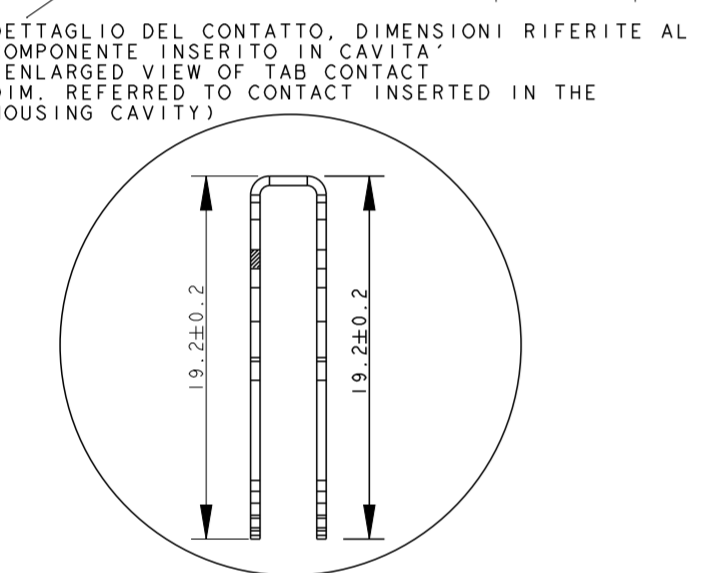
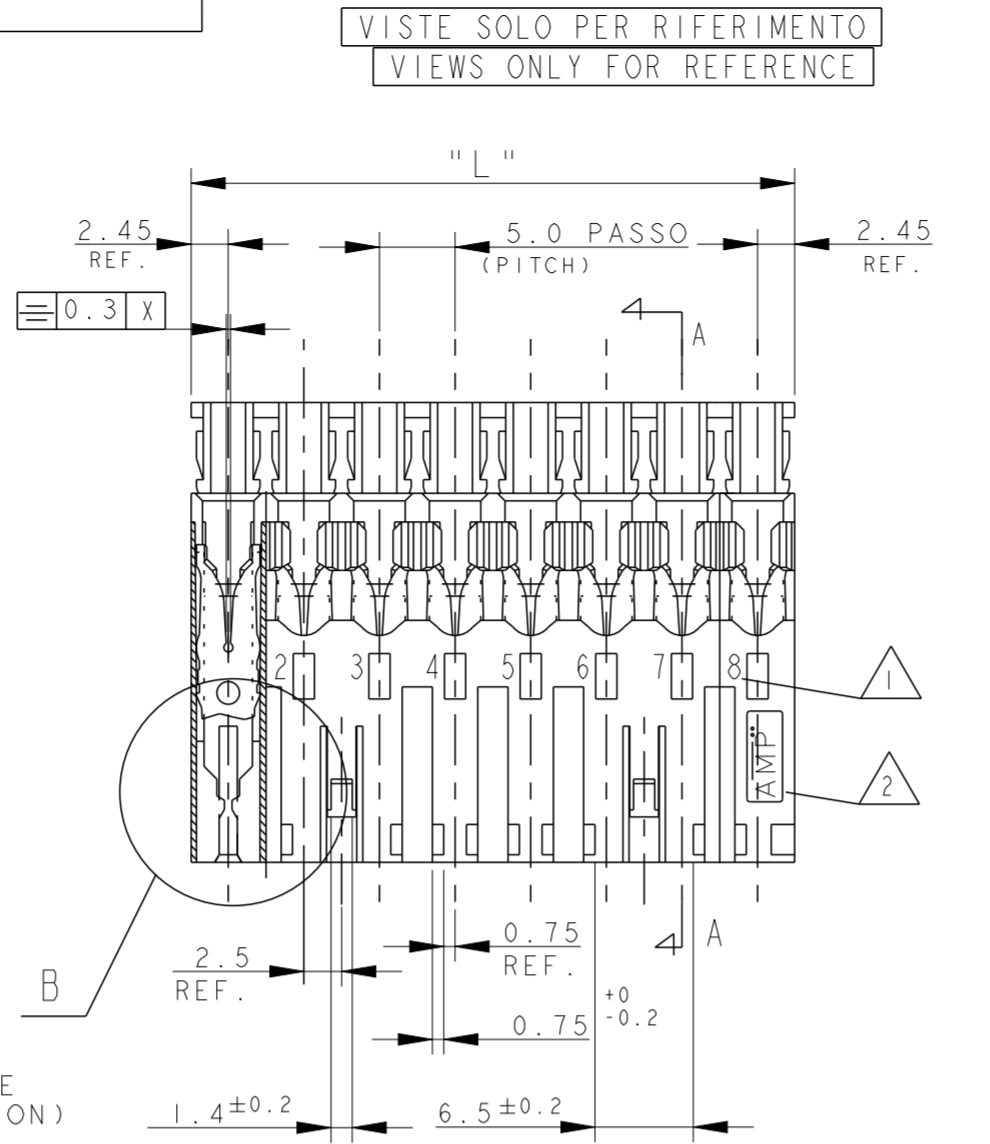
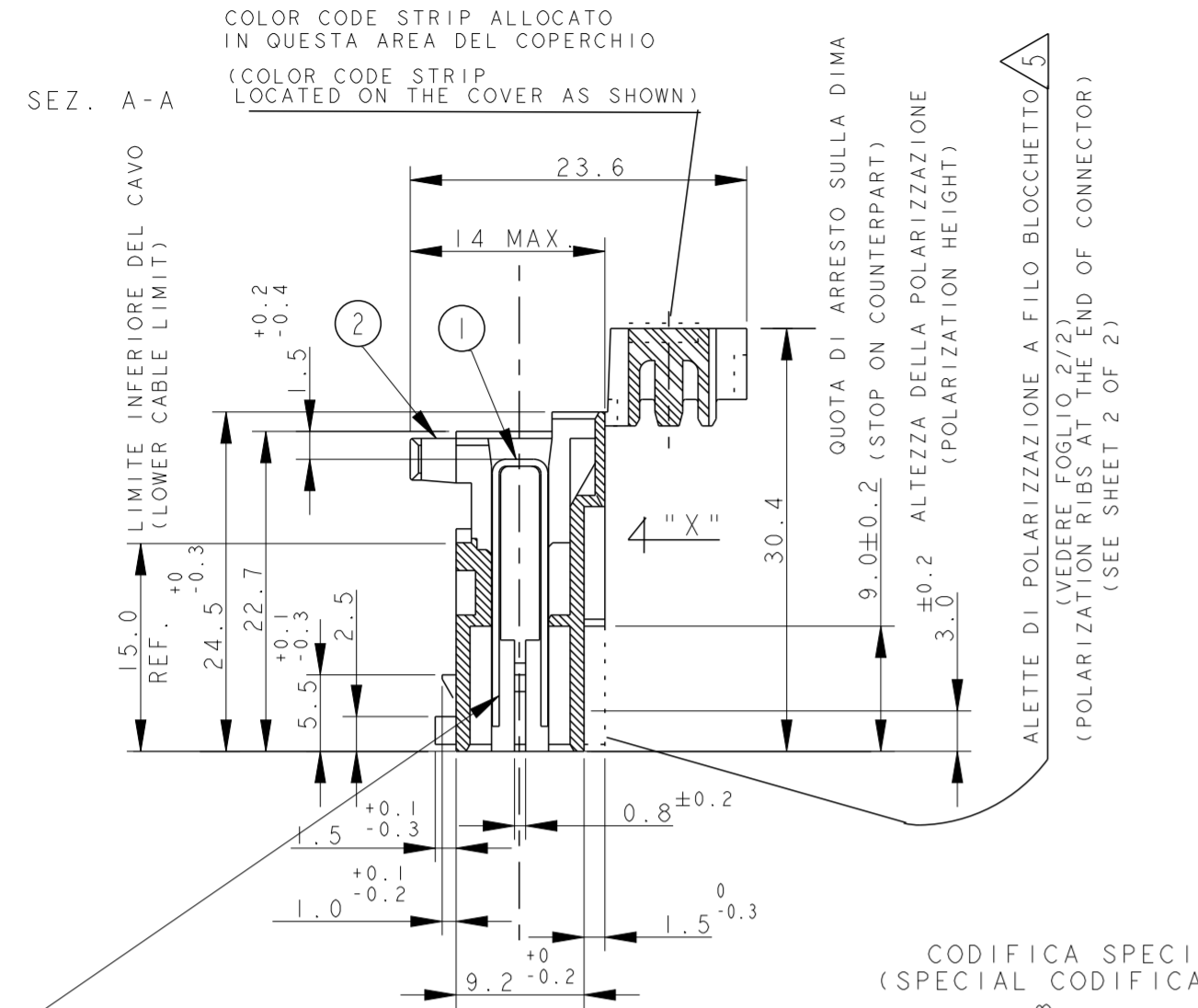


THIS DRAWING IS UNPUBLISHED. RELEASED FOR PUBLICATION
 © COPYRIGHT 2011 ALL RIGHTS RESERVED.

LOC		DIST		REVISIONS			
P	LTR	DESCRIPTION	DATE	DWN	APVD		
AA23		ECR-17-008698	16JUN2017	IZ	RR		
AA24		ECR-17-010648	31JUL2017	JP	RR		
AA25		REVISED PER ECR-17-018373	21DEC2017	AL	RR		
AA26		REVISED PER ECR-18-001816	12FEB2018	AL	RR		

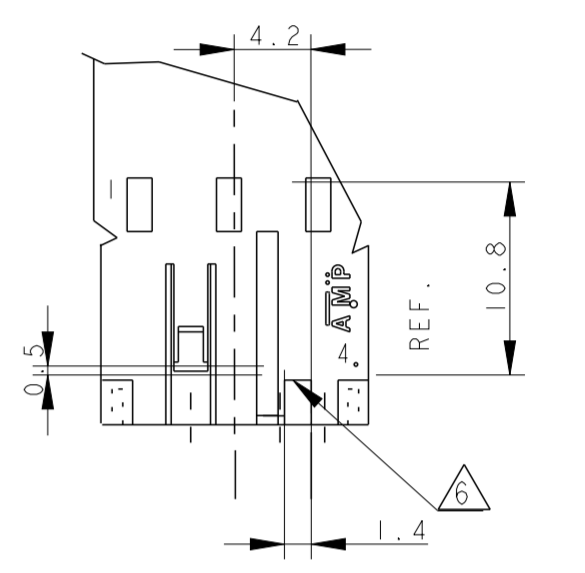


DETAIL PN/s:
 1-282006-3
 2-282006-3
 3-282006-3

POLARIZATION KEYS
 (VIEW FROM "X")

- NOTE/NOTES:
- 1 NUMERI DI IDENTIFICAZIONE CAVITA' (CIRCUIT IDENTIFICATION)
 - 2 MARCHIO DI FABBRICA LIBERA POSIZIONE (AMP LOGO FREE POSITION)
 - 3 RETENTION TOOTH IS REQUESTED FOR THE 2 AND 3 POS. ONLY
 - 4 PERTE PRELIMINARE, NON ANCORA IN PRODUZIONE (PRELIMINARY PART, NOT YET RELEASED FOR PRODUCTION)
 - 5 PER QUESTI P/N LA POLARIZZAZIONE POSTERIORE DEVE INTENDERSI COMPLETA, A FINE BLOCCETTO (FOR THE INDICATE P/N THE POLARIZATION MUST BE AT THE END OF CONNECTOR (see sheet 2 of 2))
 - 6 CODIFICA CON DIFFERENTE DIMENSIONE (CODIFICATION WITH DIFFERENT DIMENSION)
 - 7 BECOMES 6.5 FOR BOTH CAVITIES ON THE 2 POS., ON CAVITY N.1 AND N.3 ON THE 3 POS. AND ON CAVITY N.1 ON THE 4 POS. CONNECTOR
 - 8 INCLUDE LA POLARIZZAZIONE DOVE E' ESISTENTE (INCLUDING POLARIZATION KEY, WHEN EXISTING)
 - 9 DETAIL FOR PN X-282002-8 AND PN I-2293382-2, SPECIAL VERSION, SEE ALSO NOTE 3
 - 10 P/N NON RILASCIATO PER LA PRODUZIONE (P/N NOT YET RELEASED FOR PRODUCTION)
 - 11 ---
 - 12 GEOMETRIA ALTERNATIVA DEL DENTINO DI AGGANCIAMENTO VEDI NOTA 3 PER ALTRI DETTAGLI (ALTERNATIVE SHAPE FOR RETENTION TOOTH, SEE NOTE 3 FOR ADDITIONAL DETAILS)
 - 13 STATO DI FORNITURA: CONFEZIONAMENTO IN "VASSOI + SCATOLA" (PACKAGING: "ON TRAY PLUS CARTON BOX")
 - 14 CONFEZIONAMENTO IN BOBINA OBSOLETO (PACKAGING: ON REEL OBSOLETE)
 - 15 OBSOLETE PARTS: OBSOLETE CIS STREAMLINING PER D.RENAUD/D.SINISI
 - 16 THE DESIRED POLARIZATION CAN BE OBTAINED BY THE TERMINATION MACHINE
 - 17 EXCEPTION MADE FOR PN X-282002-8, PN I-2293382-2, 3-282002-4 AND 6-282002-4 FOR THIS PN CAVITY 1 IS WITHOUT RETENTION TOOTH AND HAS THE SAME DESIGN AS THE CAVITY N.2

DETAIL FOR PN 0-282233-2 ONLY



ITEM	DENOMINAZIONE (DESCRIPTION)	FINITURA / COLORE (FINISH / COLOUR)	MATERIALE (MATERIAL)
2	BLOCCETTO (HOUSING)	NATURALE (NATURAL)	PA 6.6 CARICATO VETRO (POLIAMIDE 6.6 GLASSFIBER FILLED)
1	CONTATTO (CONTACT)	STAGNATO (TIN-PLATED)	OTTONE (BRASS)

THIS DRAWING IS A CONTROLLED DOCUMENT.

DIMENSIONS: mm

TOLERANCES UNLESS OTHERWISE SPECIFIED: 0.3

MATERIAL: SEE TABLE

FINISH: SEE TABLE

DWN: G. ENDRIZZI 23JUL1995

CHK: G. TURCO 23JUL1995

APVD: G. TURCO 23JUL1995

PRODUCT SPEC: 108-20065-1, 108-20065-2

APPLICATION SPEC: 114-20016, 114-20016-1

WEIGHT: -

Customer Drawing

NAME: MONO-SHAPE MK1 TAB CONNECTORS 2-10 POS.

SIZE: A2

CAGE CODE: 0779

DRAWING NO: C-282002

RESTRICTED TO: -

SCALE: -

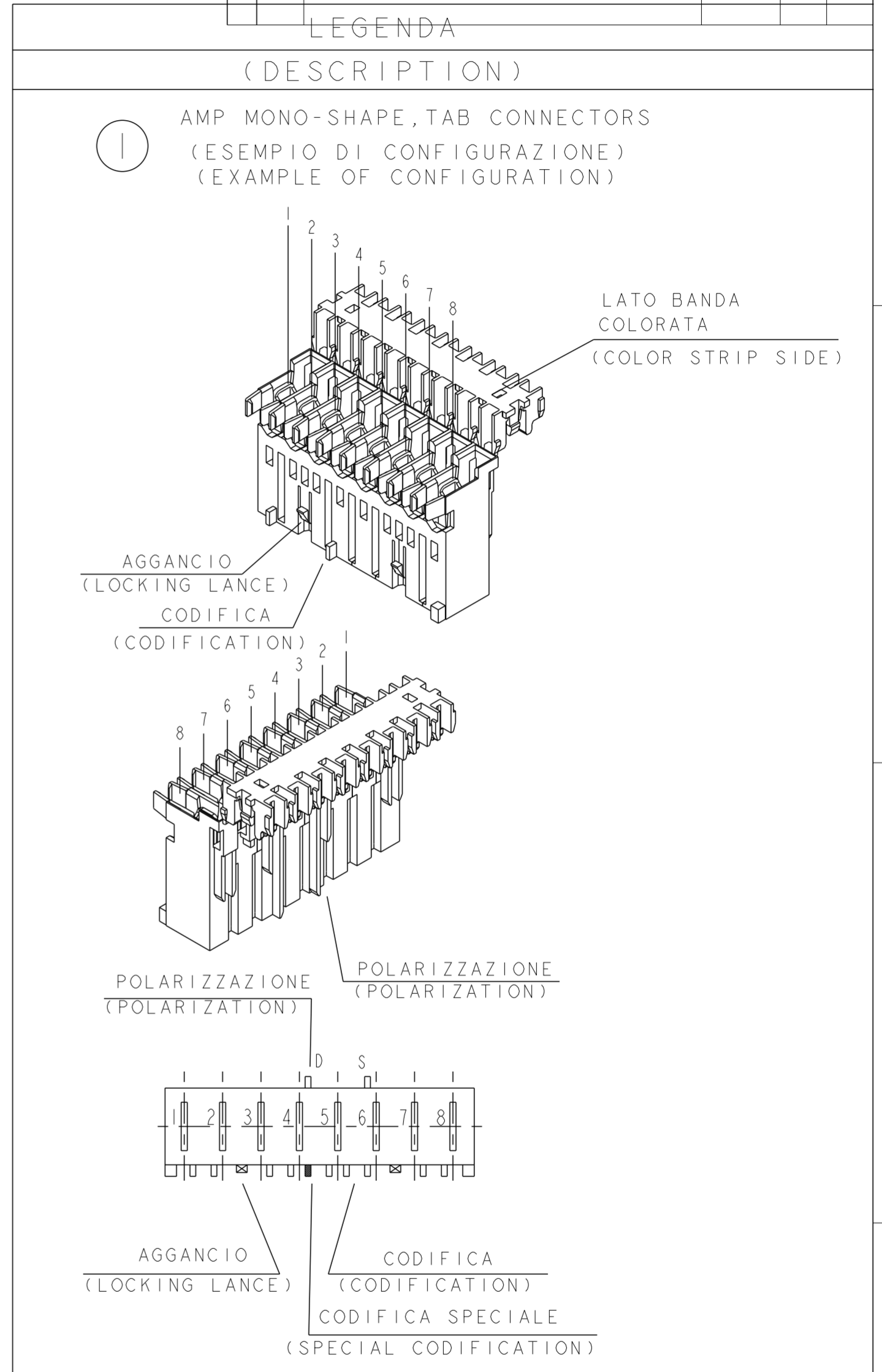
SHEET: 1 OF 6

REV: AA26

THIS DRAWING IS UNPUBLISHED. RELEASED FOR PUBLICATION
 © COPYRIGHT 2011 ALL RIGHTS RESERVED.

LOC		DIST		REVISIONS			
P	LTR	DESCRIPTION	DATE	DWN	APVD		
SEE SHEET 1							
VISTE SOLO PER RIFERIMENTO							
VIEWS ONLY FOR REFERENCE							

NUMERO DI VIE	CONFIGURAZIONE (Vista connettore dall'alto)	TE PART NUMBER ASSY CONN.				POSIZIONE POLARIZ. (LATO POSTERIORE)	POSIZIONE AGGANCIO (LATO ANTERIORE)	POSIZIONE CODIFICA SPECIALE (LATO ANTERIORE)	L +0.2 -0.3 (mm)	NOTE MARCHIATURA CON BANDA COLORATA	POSSIBILE RAST 5 POLARIZ.
		VERSIONE PEZZI IN VASSOIO	VERSIONE PEZZI SCIOLTI	TRAY PACKAGING VERSION	PART REV						
NO OF POS	CONFIGURATION (View from top side)	TRAY PACKAGING VERSION	PART REV	LOOSE PIECES PACKAGING VERSION	PART REV	POLARIZ. POSITION (BACK SIDE)	LOCKING POSITION (FRONT SIDE)	SPECIAL COD. POSITION (FRONT SIDE)	L +0.2 -0.3 (mm)	NOTE STRIP COLOUR	POSSIBLE RAST 5 POLARIZ.
2		1-282002-1	V	2-282002-1	V	2S	1-2	-	9.9	NERO BLACK	02-C
2		1-282002-2	V	2-282002-2	V	1S	1-2	-	9.9	GRIGIO GREY	02-B 02-E 02-F
2		1-282002-3	V	2-282002-3	V	2D	1-2	-	9.9	ROSSO RED	02-L
2		1-282002-4	V	2-282002-4	V	1D	1-2	-	9.9	BLU BLUE	02-A
2		1-282002-5	V	2-282002-5	V	2S	1-2	-	9.9	NERO BLACK	02-Q
2		1-282002-6	V	2-282002-6	V	-	1-2	-	9.9	NERO BLACK	-
2		1-282002-7	V	2-282002-7	V	-	1-2	-	9.9	-	-
2		1-282002-8	V	2-282002-8	V	1S	1-2	-	9.9	VERDE GREEN	02-B 02-E 02-F
2		2-282002-9	I	-	-	2D	1-2	-	9.9	-	-
2		3-282002-0	I	-	-	1D	1-2	-	9.9	-	-
2		3-282002-4	I	-	-	1D	1-2	-	9.9	-	02-A
2		5-282002-4	I	-	-	2S	1-2	-	9.9	YELLOW	02-B 02-E 02-F
2		6-282002-0	I	-	-	1S	1-2	-	9.9	RED	-
3		1-282003-1	V	2-282003-1	V	1D	1-2	-	14.9	ARANCIO ORANGE	03-A 03-I
3		1-282003-2	V	2-282003-2	V	2D	2-3	-	14.9	BLU BLUE	03-B
3		1-282003-3	V	2-282003-3	V	3D	1-2	-	14.9	VERDE GREEN	03-F
3		1-282003-4	V	2-282003-4	V	1S	2-3	-	14.9	ROSSO RED	03-B
3		1-282003-5	V	2-282003-5	V	2D	2-3	-	14.9	GRIGIO GREY	03-B
3		1-282003-6	V	2-282003-6	V	3D	1-2	-	14.9	VIOLA VIOLET	-
3		1-282003-7	V	-	-	2D	2-3	-	14.9	NERO BLACK	03-B
3		3-282003-3	I	-	-	1S	1-2	-	14.9	-	-
3		3-282003-4	I	-	-	1D	1-2	-	14.9	-	-
3		3-282003-5	I	-	-	2D - 3S	2-3	-	14.9	-	-
3		3-282003-6	I	-	-	1S	2-3	-	14.9	-	-
3		0-282233-2	V	2-282233-2	V	3D	1-2	-	14.9	-	-
3		1-284396-1	Z	-	-	1S	1-2	-	14.9	-	03-D
3		1-284396-1	Z	-	-	2S	2-3	-	14.9	NERO BLACK	-



THIS DRAWING IS A CONTROLLED DOCUMENT.		DWN G. ENDRIZZI 23 JUL 1995	 TE Connectivity	NAME		
DIMENSIONS: mm		CHK G. TURCO 23 JUL 1995		MONO-SHAPE MK1 TAB CONNECTORS 2-10 POS.		
TOLERANCES UNLESS OTHERWISE SPECIFIED:		APVD G. TURCO 23 JUL 1995		PRODUCT SPEC		
0 PLC ±		108-20065-1, 108-20065-2		APPLICATION SPEC		
1 PLC ±		114-20016, 114-20016-1	SIZE	CAGE CODE	DRAWING NO	RESTRICTED TO
2 PLC ±			A20779	G-282002		
3 PLC ±			Customer Drawing		SCALE	SHEET 2 OF 6
4 PLC ±					REV	AA26
ANGLES						
FINISH						
SEE TABLE		SEE TABLE				

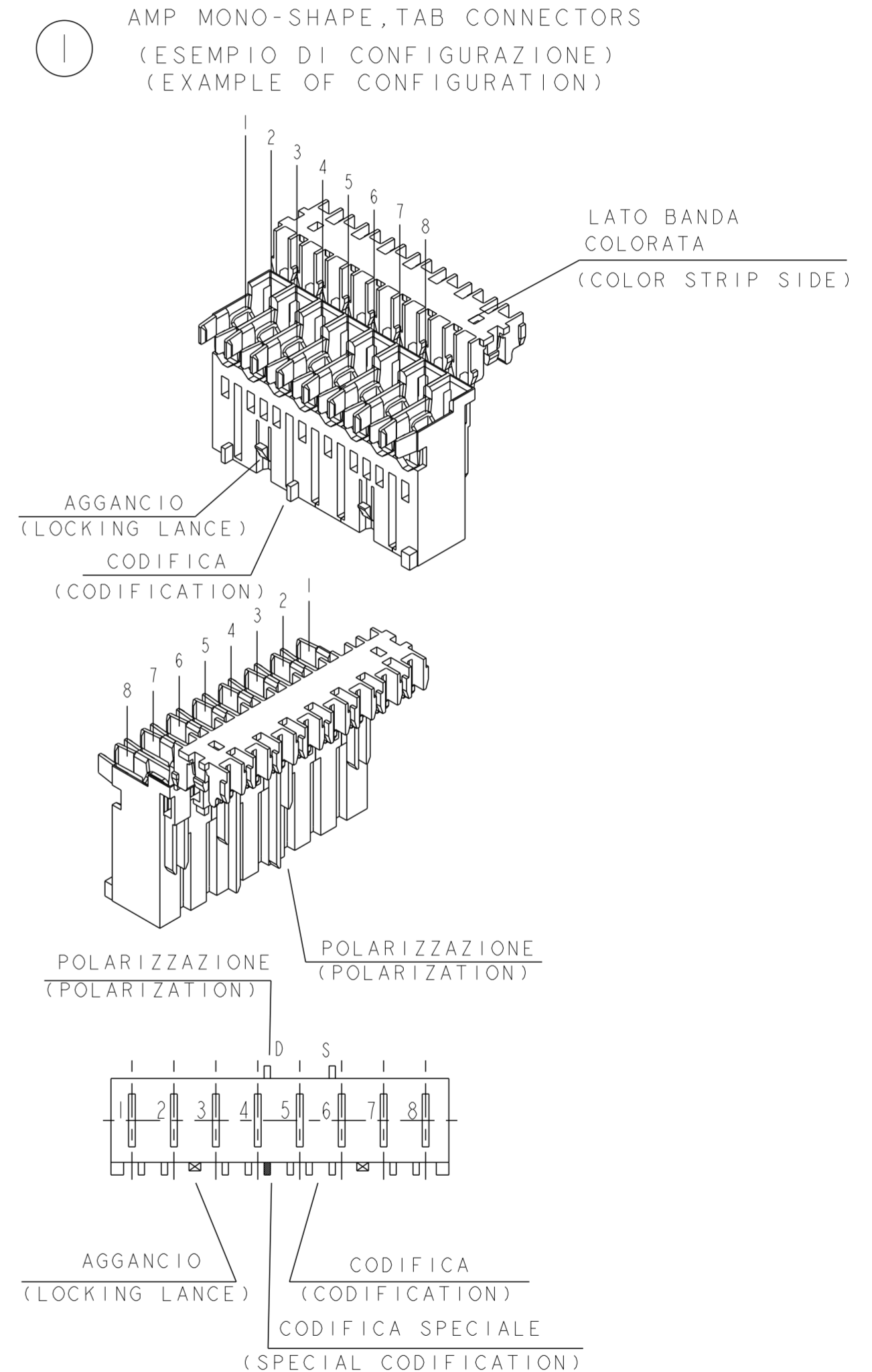
THIS DRAWING IS UNPUBLISHED. RELEASED FOR PUBLICATION
 © COPYRIGHT 2011 ALL RIGHTS RESERVED.

LOC		DIST		REVISIONS			
P	LTR	DESCRIPTION	DATE	DWN	APVD		
		SEE SHEET 1					

VISTE SOLO PER RIFERIMENTO
 VIEWS ONLY FOR REFERENCE

NUMERO DI VIE NO OF POS	CONFIGURAZIONE (Vista connettore dall'alto) CONFIGURATION (View from top side)	TE PART NUMBER ASSY CONN.		POSIZIONE POLARIZ. (LATO POSTERIORE)	POSIZIONE AGGANCIO (LATO ANTERIORE)	POSIZIONE CODIFICA SPECIALE (LATO ANTERIORE)	L +0.2 -0.3 (mm)	NOTE MARCHIATURA CON BANDA COLORATA	POSSIBILE RAST 5 POLARIZ.
		VERSIONE PEZZI IN VASSOIO	VERSIONE PEZZI SCIOLTI						
4		1-282004-1	V	1D	1-2	2D	19.9	GRIGIO GREY	04-A
4		1-282004-2	V	3D	2-3	-	19.9	NERO BLACK	04-D
4		1-282004-3	V	1D	1-2	2D	19.9	ROSSO RED	04-A
4		1-282004-4	S	3D	1-2	-	19.9	BLU BLUE	-
4		3-282004-4	AA	4D	3-4	-	19.9	-	04-A
4		4-282004-4	I	1S	1-2	-	19.9	-	-
5		1-282005-1	V	4D	4-5	-	24.9	ROSSO RED	-
5		1-284545-1	Z	2S	4-5	-	24.9	ROSSO RED	-
5		1-284545-2	A	1S	-	3D	24.9	-	-
5		1-284545-3	A	5D	3-4	-	24.9	BLU BLUE	-
5		1-293003-5	Z	5D	3-4	-	24.9	NERO BLACK	-
6		1-282006-2	V	2S	2-3	-	29.9	VIOLA VIOLET	-
6		1-282006-3	V	5D	4-5	-	29.9	-	-
6		2-282006-4	V	2S - 3D	4-5	-	29.9	-	-
6		1-284745-1	Z	4D - 5D	-	5S	29.9	NERO BLACK	-
6		1-284745-2	I	3D	4-5	-	29.9	ROSSO RED	-
6		1-284745-3	I	5D	3-4	-	29.9	RED	-
6		1-284745-4	I	6D	4-5	4D	29.9	VIOLET	-
7		1-282007-1	V	1S	2-3	-	29.9	ORANGE	-
7		2-282007-2	V	5D	3-4	-	29.9	-	-
7		2-282007-3	I	1D	1-2	3S	34.9	-	-
7		3-282007-2	AA	5D	5-6	-	34.9	VIOLA VIOLET	-
7		1-284397-1	Z	4D	-	6S	34.9	-	-
7		1-293004-7	Z	6D	5-6	-	34.9	ROSSO RED	-
7		2-293004-7	I	1S	1-2	-	34.9	GRIGIO GREY	-
8		0-284085-1	V	2D - 6S	-	4S	39.9	-	-
8		0-284085-2	V	4D - 6D	2-3	-	39.9	VIOLA VIOLET	-

LEGENDA
 (DESCRIPTION)



THIS DRAWING IS A CONTROLLED DOCUMENT.		DWN G. ENDRIZZI 23 JUL 1995	TE Connectivity MONO-SHAPE MK1 TAB CONNECTORS 2-10 POS.
DIMENSIONS: mm		CHK G. TURCO 23 JUL 1995	
TOLERANCES UNLESS OTHERWISE SPECIFIED:		APVD G. TURCO 23 JUL 1995	NAME
0 PLC ±		PRODUCT SPEC	108-20065-1, 108-20065-2
1 PLC ± > 0.3		APPLICATION SPEC	114-20016, 114-20016-1
2 PLC ±		WEIGHT	--
3 PLC ±		SIZE	A20779
4 PLC ±		CAGE CODE	C-282002
5 PLC ±		DRAWING NO	RESTRICTED TO
6 PLC ±		Customer Drawing	SCALE - SHEET 3 OF 6 REV AA26

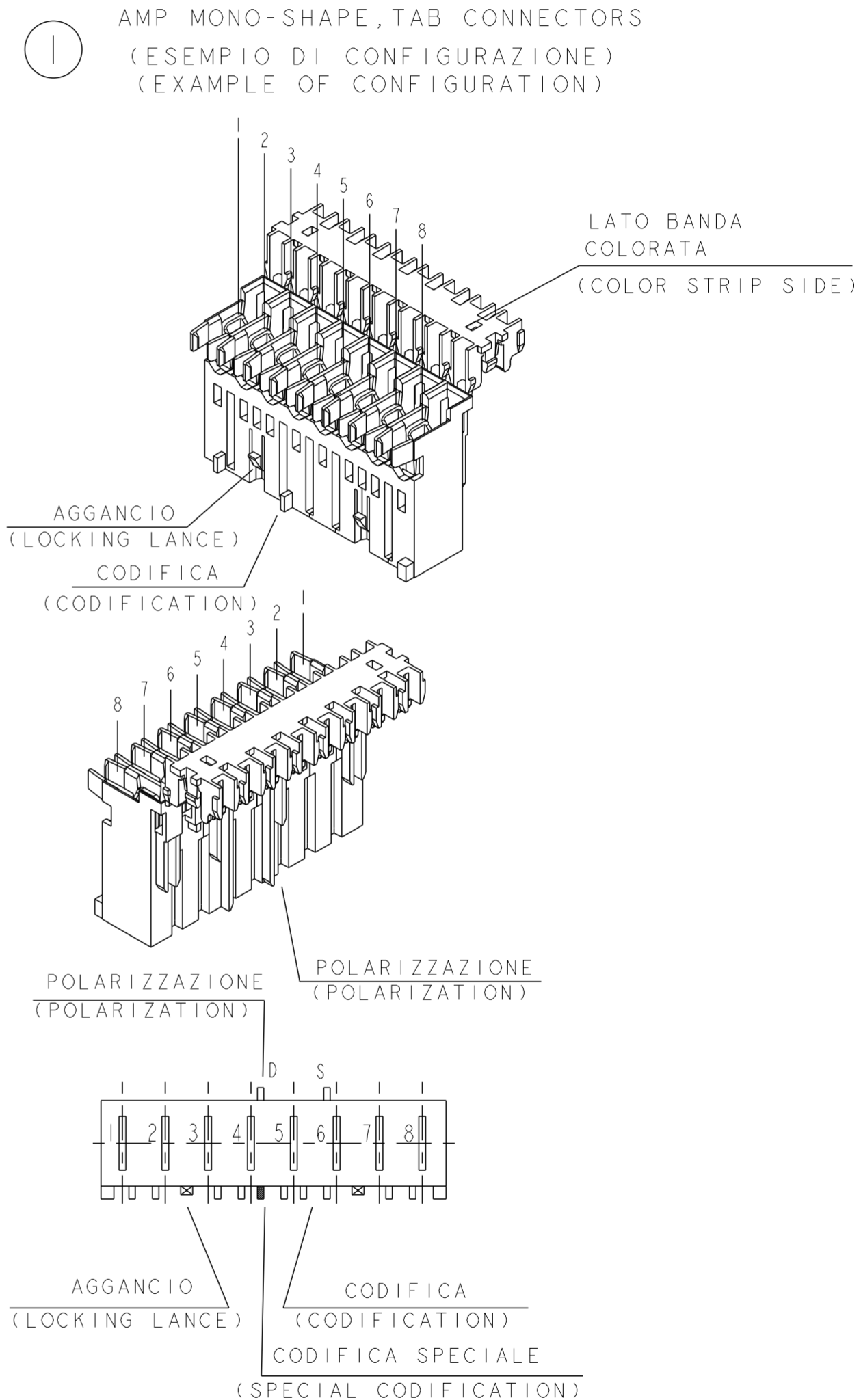
THIS DRAWING IS UNPUBLISHED. RELEASED FOR PUBLICATION
 © COPYRIGHT 2011 ALL RIGHTS RESERVED.

LOC	DIST	REVISIONS			
P	LTR	DESCRIPTION	DATE	DWN	APVD
-	-	SEE SHEET 1			

NUMERO DI VIE	CONFIGURAZIONE (Vista connettore dall'alto)	TE PART NUMBER ASSY CONN.				POSIZIONE POLARIZ. (LATO POSTERIORE)	POSIZIONE AGGANCIO (LATO ANTERIORE)	POSIZIONE CODIFICA SPECIALE (LATO ANTERIORE)	L +0.2 L -0.3 (mm)	NOTE MARCHIATURA CON BANDA COLORATA
		VERSIONE PEZZI IN VASSOIO	TRAY PACKAGING VERSION	PART REV	LOOSE PIECES PACKAGING VERSION					
10		1-282010-1	V	2-282010-1	V	6D 8S	4-5 8-9	6S	49.9	-
10		0-284004-1	V	-	-	6D 8S	4-5 8-9	6S	49.9	-

VISTE SOLO PER RIFERIMENTO
 VIEWS ONLY FOR REFERENCE

LEGENDA
 (DESCRIPTION)



THIS DRAWING IS A CONTROLLED DOCUMENT.		DWN G. ENDRIZZI 23 JUL 1995	TE Connectivity	
DIMENSIONS: mm		CHK G. TURCO 23 JUL 1995		
TOLERANCES UNLESS OTHERWISE SPECIFIED:		APVD G. TURCO 23 JUL 1995	NAME MONO-SHAPE MK1 TAB CONNECTORS 2-10 POS.	
0 PLC ±		PRODUCT SPEC 108-20065-1, 108-20065-2	SIZE CAGE CODE DRAWING NO RESTRICTED TO	
1 PLC ± > 0.3		APPLICATION SPEC 114-20016, 114-20016-1	A200779 C-282002	
2 PLC ±		WEIGHT --	SCALE - SHEET 4 OF 6 REV AA26	
3 PLC ±		MATERIAL FINISH	Customer Drawing	
4 PLC ±				
ANGLES ±				
SEE TABLE		SEE TABLE		

THIS DRAWING IS UNPUBLISHED. RELEASED FOR PUBLICATION
 © COPYRIGHT 2011 ALL RIGHTS RESERVED.

LOC		DIST		REVISIONS			
P	LTR	DESCRIPTION	DATE	DWN	APVD		
		SEE SHEET 1					

PA GF, UL-VO GWPT 750° C NO FLAME, NATURAL

No. of POS.	CONFIGURATION ONLY FOR REF	ON TRAY		LOOSE PIECES		SEE SHEET 1 FOR ADDITIONAL DETAILS AND NOTES					POSSIBLE RAST 5 POLARIZ.
		P/N ASS'Y	PART REV.	P/N ASS'Y	PART REV.	POLARIZ. POSITION (BACK SIDE)	LOCKING POSITION (FRONT SIDE)	SPECIAL CODIFICAT. POSITION (FRONT SIDE)	L (mm)	COLOR CODE	
2		2293382-2	AA			1S 2D	1-2	-	9.9		02-B 02-E 02-F
2		1-2293382-2	AA			1S 2D	1-2		9.9	GREEN	02-B 02-E 02-F
	2					1D 2D	1-2	-	9.9		
2		3-2293382-2	AA			1D 2S	1-2	-	9.9	BLUE	02-A
	2					1S 1D	1-2	-	9.9		
	2					1S 2D	1-2	-	9.9	GREY	02-B 02-E 02-F
3		2293382-3	AA			2S	2-3	-	14.9		
3		1-2293382-3	AA			-	1-2	-	14.9	VIOLET	-
3		2-2293382-3	AA			1D	1-2	-	14.9	ORANGE	03-A 03-1
	3					1S 1D	1-2	-	14.9		
	3					1D 2S 2D 3S	1-2	-	14.9		
	3					1S 3D	2-3	-	14.9		
3		6-2293382-3	AA			1S 1D 2S 2D	1-2	-	14.9		
	3					1S 3D	1-2		14.9	GREEN	03-F
4		2293382-4	AA			1D	1-2 3-4	2D	19.9	GREY	04-A
4		1-2293382-4	AA			1S 4D	1-2 3-4	-	19.9		
	4					TBD	TBD	TBD	19.9		
5		2293382-5	AA			-	4-5	-	24.9		
	6					TBD	TBD	TBD	29.9		



THIS DRAWING IS A CONTROLLED DOCUMENT.		DWN G. ENDRIZZI 23 JUL 1995	TE Connectivity MONO-SHAPE MK1 TAB CONNECTORS 2-10 POS.
DIMENSIONS: mm		CHK G. TURCO 23 JUL 1995	
TOLERANCES UNLESS OTHERWISE SPECIFIED:		APVD G. TURCO 23 JUL 1995	
0 PLC ± 1 PLC ± 2 PLC ± 3 PLC ± 4 PLC ± ANGLES ± FINISH ±		NAME	
MATERIAL SEE TABLE		PRODUCT SPEC 108-20065-1, 108-20065-2 APPLICATION SPEC 114-20016, 114-20016-1	RESTRICTED TO
SEE TABLE		WEIGHT --	SIZE A20779 CAGE CODE C-282002 DRAWING NO SCALE - SHEET 5 OF 6 REV AA26

THIS DRAWING IS UNPUBLISHED. RELEASED FOR PUBLICATION
 © COPYRIGHT 2011 ALL RIGHTS RESERVED.

LOC		DIST		REVISIONS			
P	LTR	DESCRIPTION	DATE	DWN	APVD		
		SEE SHEET 1					

PA GF, UL-V0 GWEPT 750° C NO FLAME, NATURAL

No. of POS.	CONFIGURATION ONLY FOR REF	ON TRAY		LOOSE PIECES		SEE SHEET 1 FOR ADDITIONAL DETAILS AND NOTES					
		P/N ASS'Y	PART REV.	P/N ASS'Y	PART REV.	POLARIZ. POSITION (BACK SIDE)	LOCKING POSITION (FRONT SIDE)	SPECIAL CODIFICAT. POSITION (FRONT SIDE)	L (mm)	COLOR CODE	POSSIBLE RAST 5 POLARIZ.
7		2293382-7	1			-	1-2 5-6	-	34.9		
7		2-2293382-7	1			1S 2S 2D 3S 3D 4D 5S 6S 6D 7S 7D	1-2 5-6		34.9		
8		2293382-8	1			TBD	TBD	TBD	39.9		
9		2293382-9	1			TBD	TBD	TBD	44.9		
10		1-2293382-0	1			6D 8S	4-5 8-9	6S	49.9		

THIS DRAWING IS A CONTROLLED DOCUMENT.		DWN G. ENDRIZZI 23 JUL 1995	TE Connectivity MONO-SHAPE MK1 TAB CONNECTORS 2-10 POS.		
DIMENSIONS: mm		CHK G. TURCO 23 JUL 1995			NAME
		APVD G. TURCO 23 JUL 1995			RESTRICTED TO
		PRODUCT SPEC 108-20065-1, 108-20065-2			
TOLERANCES UNLESS OTHERWISE SPECIFIED:		APPLICATION SPEC 114-20016, 114-20016-1		SIZE A200779	
MATERIAL		WEIGHT		CAGE CODE C-282002	
SEE TABLE		Customer Drawing		DRAWING NO C-282002	
FINISH		SCALE		SHEET 6 OF 6	
SEE TABLE		REV		AA26	

X-ON Electronics

Largest Supplier of Electrical and Electronic Components

Click to view similar products for [Terminals](#) category:

Click to view products by [TE Connectivity](#) manufacturer:

Other Similar products are found below :

[HT-13-10](#) [71M-250-32-NB](#) [01-2065-1-0216](#) [00581P0075](#) [M10-10RX](#) [M10BCK](#) [60205-1](#) [604200-1](#) [60598-1-CUT-TAPE](#) [60617-1-C](#) [60873-1](#) [M14-516R/SK](#) [M14-6RSX](#) [M18-10FLX](#) [M18-8FBX](#) [M18-8R/LX](#) [M18BCK](#) [61314-6-C](#) [61-S](#) [61-SN-A](#) [62149-1](#) [62-NBM-A](#) [63-S](#) [640179-1](#) [640917-2-CUT-TAPE](#) [6501550002](#) [66107-2-C](#) [66107-4-C](#) [696683-1](#) [696834-1](#) [696861-1](#) [696931-1](#) [696999-1](#) [M8-516RK](#) [M86700006](#) [MA250DMFMX-A](#) [701-2007](#) [701-2307](#) [701-7761-03](#) [70F-110-32-PB](#) [718-N-A](#) [71M-187-20-NBL](#) [71M-250-32-NBL](#) [72F-187-20-NBL](#) [72M-250-32-NBL](#) [7310](#) [73F-250-32](#) [73F-250-32-NBL](#) [73F-250-32-NL](#) [F-1M](#)