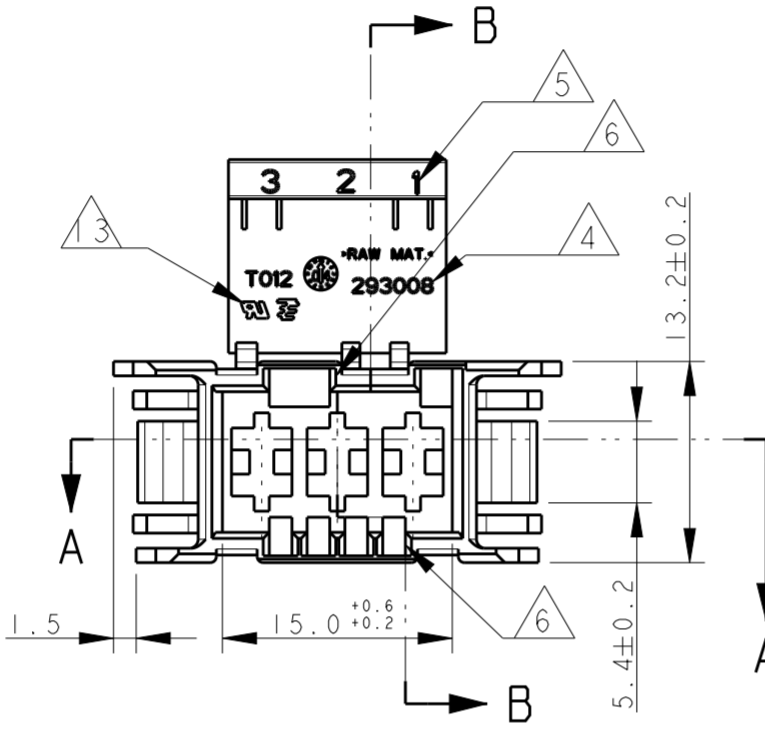
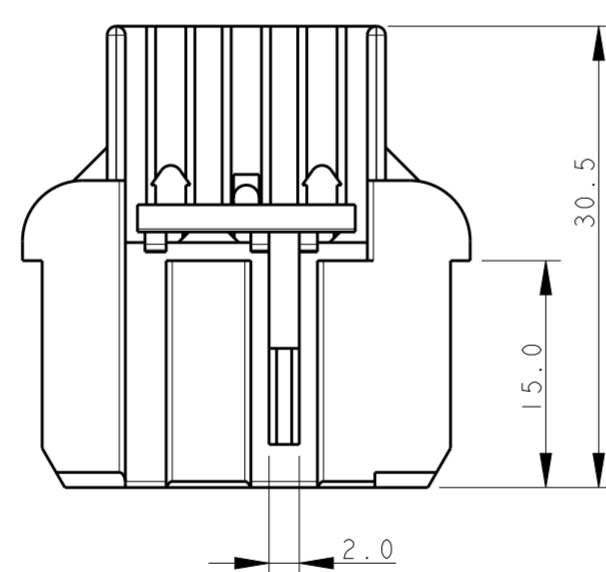
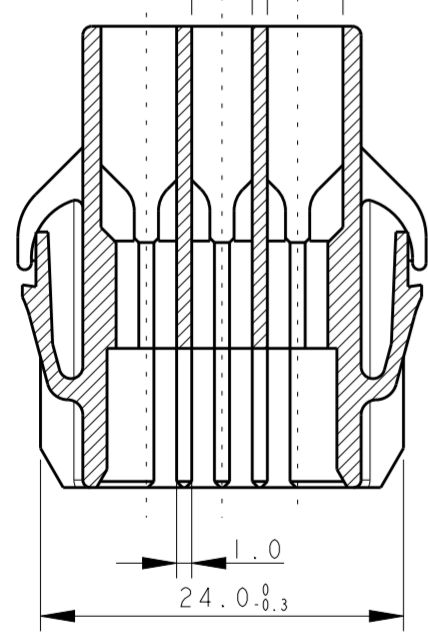
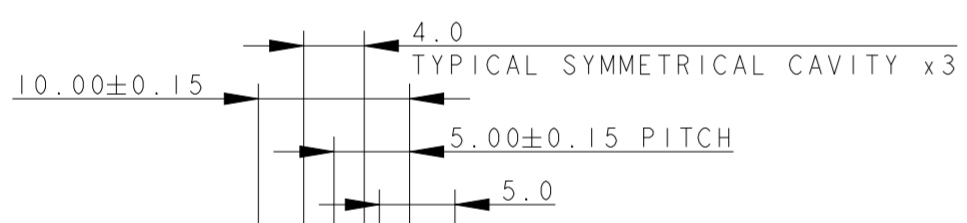


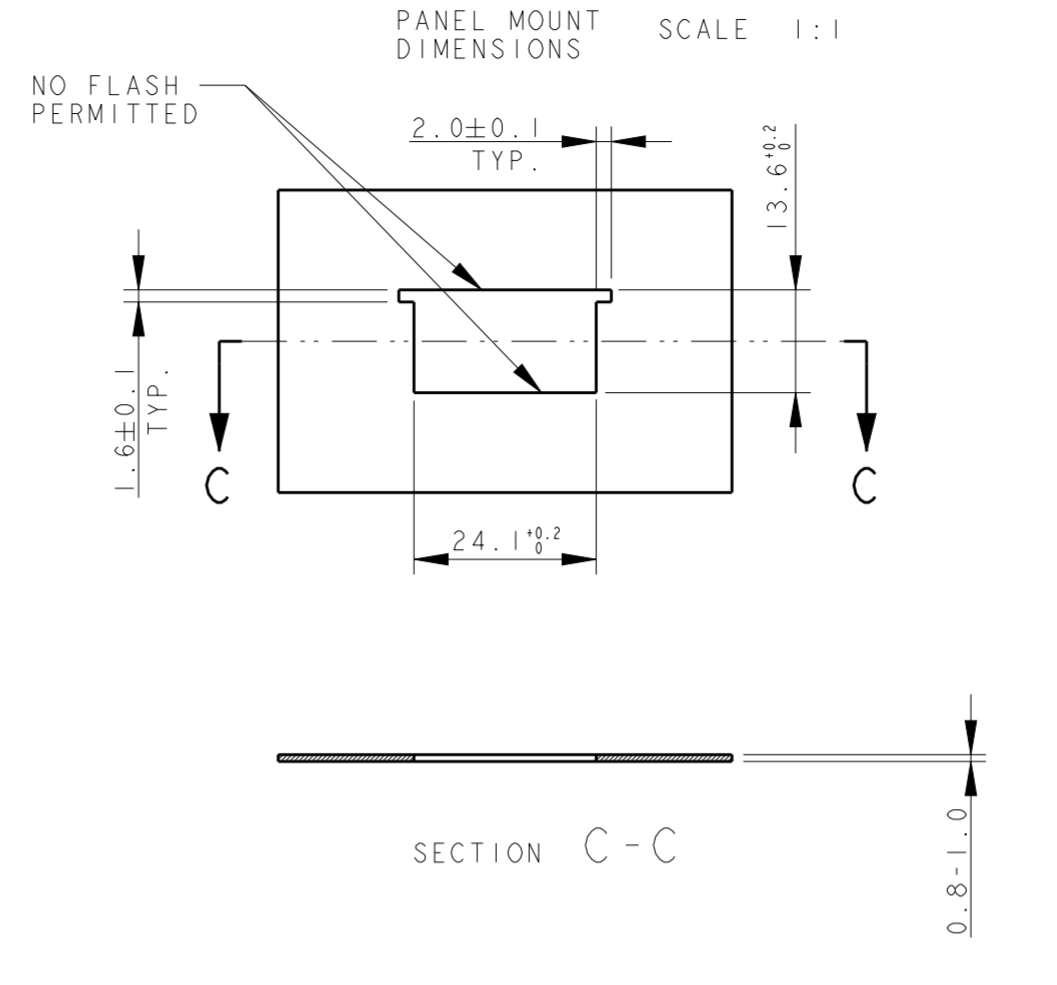
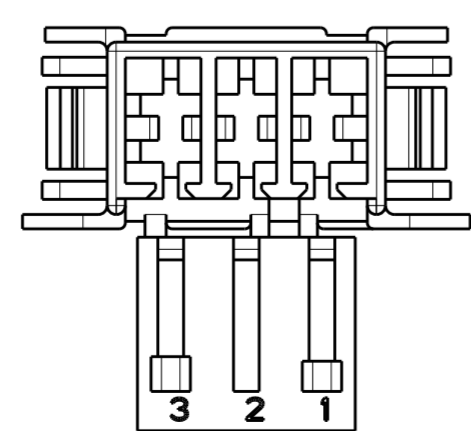
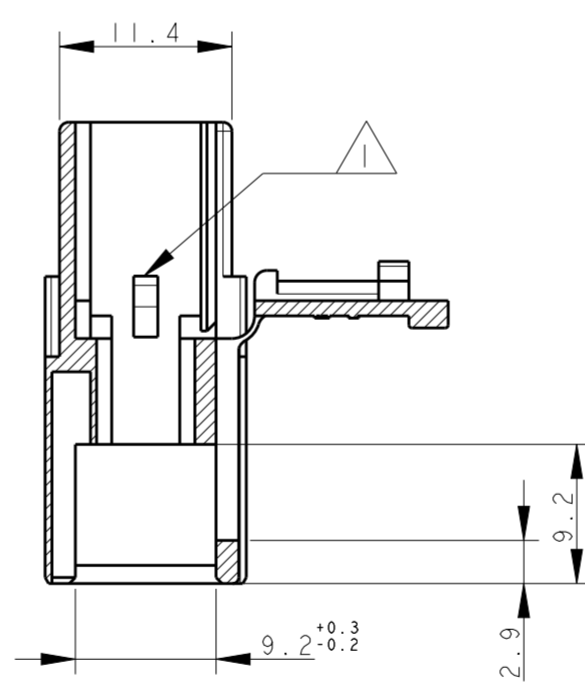
SCALE 1:1



SECTION A-A



SECTION B-B



SECTION C-C

REVISIONS				
P	LTR	DESCRIPTION	DATE	APVD
	C	ECR-17-015100	25OCT2017	KD RR
	C1	ECR-17-015894	31OCT2017	KD RR
	C2	ECR-18-003302	06MAR2018	KD RR
	D	ECR-18-007762	26JUN2018	KD FL

- 1) TYPICAL CAVITY SUITABLE FOR:  
 FASTIN-FASTON TAB CONTACTS 6.3 mm SRS:  
 P/N: 60294, 0.3-0.8 mm<sup>2</sup> WIRE RANGE  
 160691, 0.3-0.8 mm<sup>2</sup> WIRE RANGE  
 AMPLIVAR CONTACTS:  
 P/N: 141051, 0.1-0.5 mm<sup>2</sup> WIRE RANGE  
 142411, 0.3-1.6 mm<sup>2</sup> WIRE RANGE  
 MAX. INSULATION DIA. 2.8 mm,  
 MAX. INSULATION CRIMP WIDTH 3.3 mm.
- 2) PA6 UNFILLED, UL 94-V2, NATURE COLOUR  
 ACCORDING TO IEC 60335-1 NORM. EDITION 4
- 3) PA66 UNFILLED, UL 94-V2, NATURAL COLOUR
- 4) TRADEMARK "LOGO" AND  
 TYCO ELECTRONICS "PART NUMBER"  
 OPTIONAL POSITION.
- 5) CIRCUIT IDENTIFICATION NUMBERS, 1 TO 3
- 6) POLARIZATION KEYS DIMENTIONS AND POSITIONS  
 ARE ACCORDING TO "RAST 5" NORM  
 RAST CODE 03-A & 03-1.
- 7) PA66 UNFILLED, UL 94-V0, NATURAL COLOUR
- 8) PA66 UNFILLED, UL 94-V0 GWT, NATURAL COLOUR
- 9) PRELIMINARY - NOT RELEASED FOR PRODUCTION
- 10) PA66 UNFILLED, UL94-V0 GWT, NATURAL COLOUR
- 11) -
- 12) PA66 UNFILLED, UL94-V0 GWT, BLUE COLOR
- 13) ONLY FOR 293008-3, ADD UL LOGO
- 14) ADD GREEN COLOR MARKING

COLOUR	MATERIAL	TE P/N
BLUE	SEE NOTE 12	3-293008-1
NATURAL	SEE NOTE 10	2-293008-2
NATURAL	SEE NOTE 10	2-293008-1
NATURAL	SEE NOTE 2	1-293008-2
NATURAL	SEE NOTE 2	1-293008-1
NATURAL	SEE NOTE 10	293008-6
NATURAL	SEE NOTE 8	293008-5
NATURAL	SEE NOTE 7	293008-3
NATURAL	SEE NOTE 3	293008-2
NATURAL	SEE NOTE 2	293008-1

THIS DRAWING IS A CONTROLLED DOCUMENT.

DWN: H. YAALI 27 FEB 2004  
 CHK: C. TARTARI  
 APVD: -

PRODUCT SPEC: 108-20256  
 APPLICATION SPEC: -

MATERIAL: SEE TABLE  
 FINISH: SEE TABLE

TE Connectivity  
 NAME: 3 POS. FASTIN-FASTON Connector  
 TAB HOUSING, RAST 5  
 0.8-1.0 MM THK. PANEL MOUNT

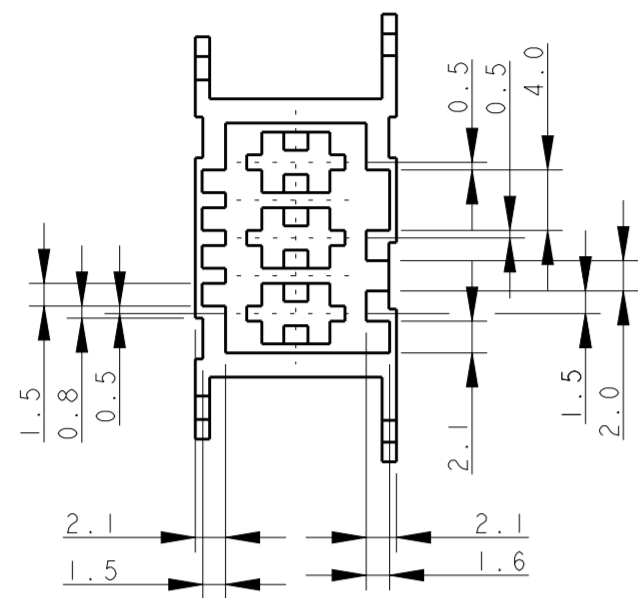
SIZE: A2 CAGE CODE: - DRAWING NO: C-293008  
 WEIGHT: -

CUSTOMER DRAWING SCALE: 5:1 SHEET: 1 OF 2 REV: D

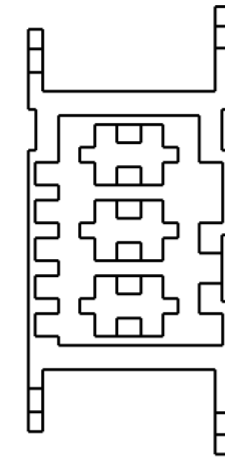
THIS DRAWING IS UNPUBLISHED. RELEASED FOR PUBLICATION 2003  
 © COPYRIGHT 2003 BY - ALL RIGHTS RESERVED.

REVISIONS				
P	LTR	DESCRIPTION	DATE	APVD
-	-	SEE SHEET 1	-	-

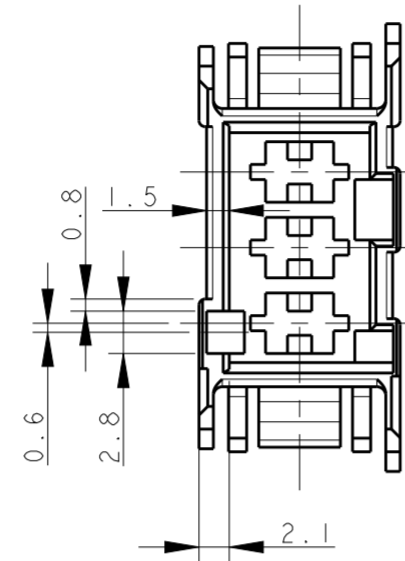
POLARIZATION SCHEME



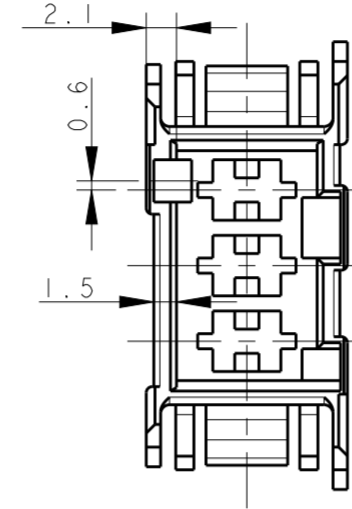
293008-X



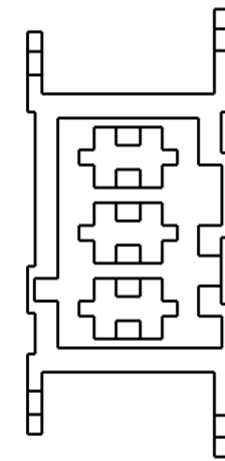
1-293008-X



2-293008-1



2-293008-2



3-293008-1

THIS DRAWING IS A CONTROLLED DOCUMENT.		DWN H. YAALI	27 FEB 2004		TE Connectivity
DIMENSIONS: mm		CHK C. TARTARI	APVD		
TOLERANCES UNLESS OTHERWISE SPECIFIED:		PRODUCT SPEC 108-20256		RESTRICTED TO	
0 PLC ± 1 PLC ±0.3 2 PLC ± 3 PLC ± 4 PLC ± ANGLES ±1°		APPLICATION SPEC		SIZE A2	CAGE CODE -
MATERIAL SEE TABLE		FINISH SEE TABLE		DRAWING NO. C-293008	SCALE 2:1
-		WEIGHT -		CUSTOMER DRAWING	SHEET 2 OF 2
-		-		REV D	

## X-ON Electronics

Largest Supplier of Electrical and Electronic Components

*Click to view similar products for [Automotive Connectors](#) category:*

*Click to view products by [TE Connectivity](#) manufacturer:*

Other Similar products are found below :

[003-018-000](#) [600858](#) [60403001](#) [60993906-B](#) [60993913-B](#) [629515004020001](#) [M902-2131](#) [M902-2161](#) [M902-2344](#) [72.330.1035.1](#)  
[73.353.4028.0](#) [F118010](#) [F119300-B](#) [F132210](#) [F132210-B](#) [F166900](#) [F180100](#) [F258300](#) [F258300-B](#) [F294300-B](#) [F339100](#) [F339700](#) [F358300-](#)  
[B](#) [F374110](#) [F407400](#) [F412210](#) [F427600](#) [F444110](#) [F487000](#) [F495100-B](#) [F500900-B](#) [F509500B-B](#) [770444-1](#) [776880-1](#) [827153-1](#) [881735-1](#)  
[8N1515-32-24P](#) [9-1326727-8](#) [9-1326729-8](#) [925467-1](#) [925474-1](#) [928905-1](#) [936398-2](#) [964562-1](#) [964562-4](#) [964731-2](#) [965051-1](#) [968782-1](#)  
[GT17SA-8DS-HU](#) [GT17VS-10DP-5.2CF](#)