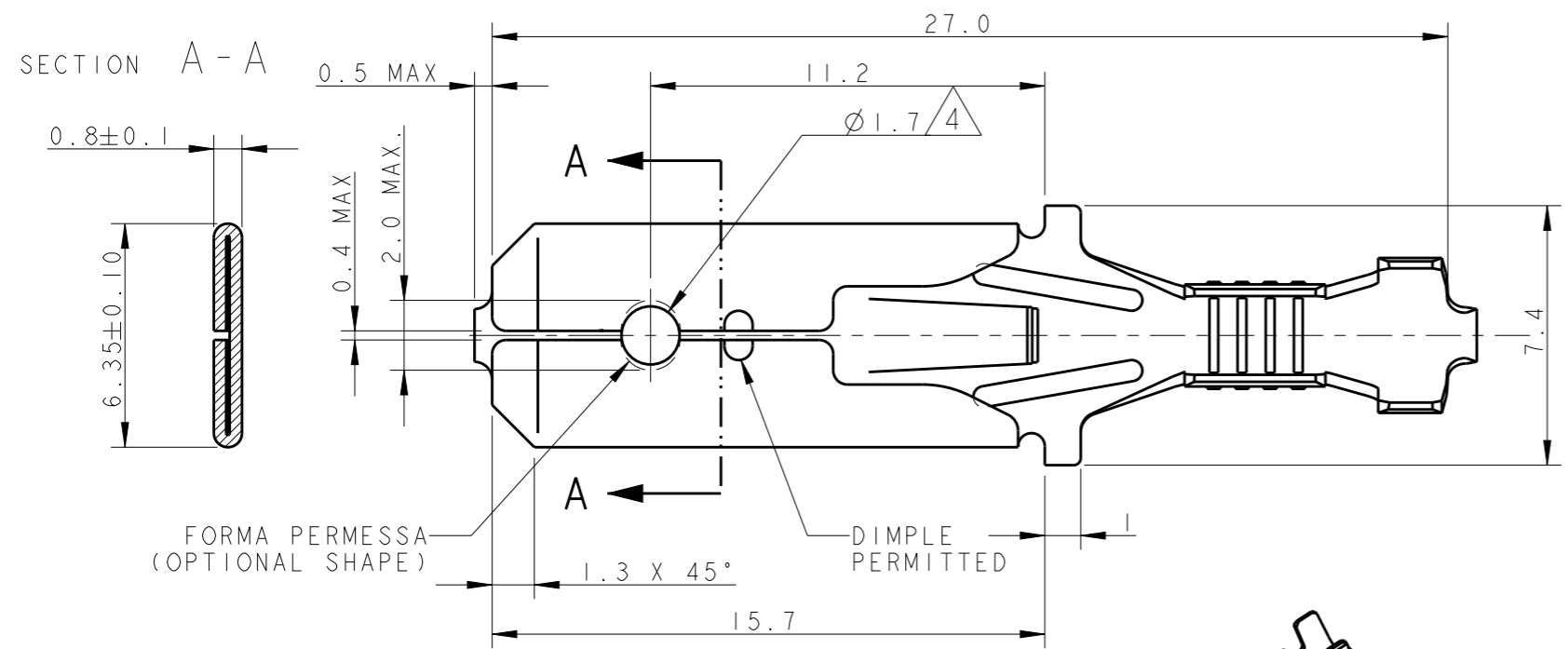
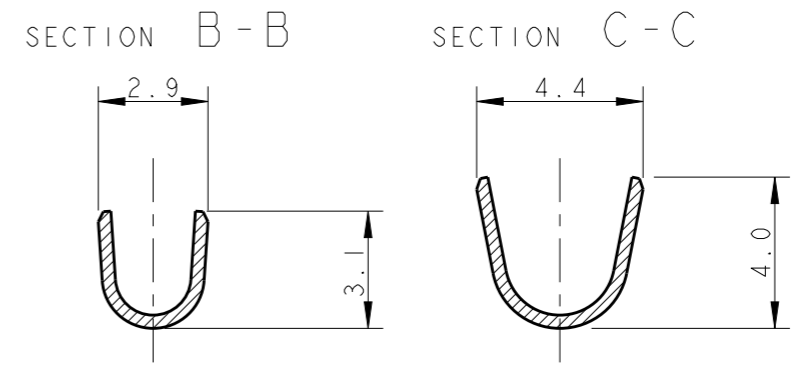
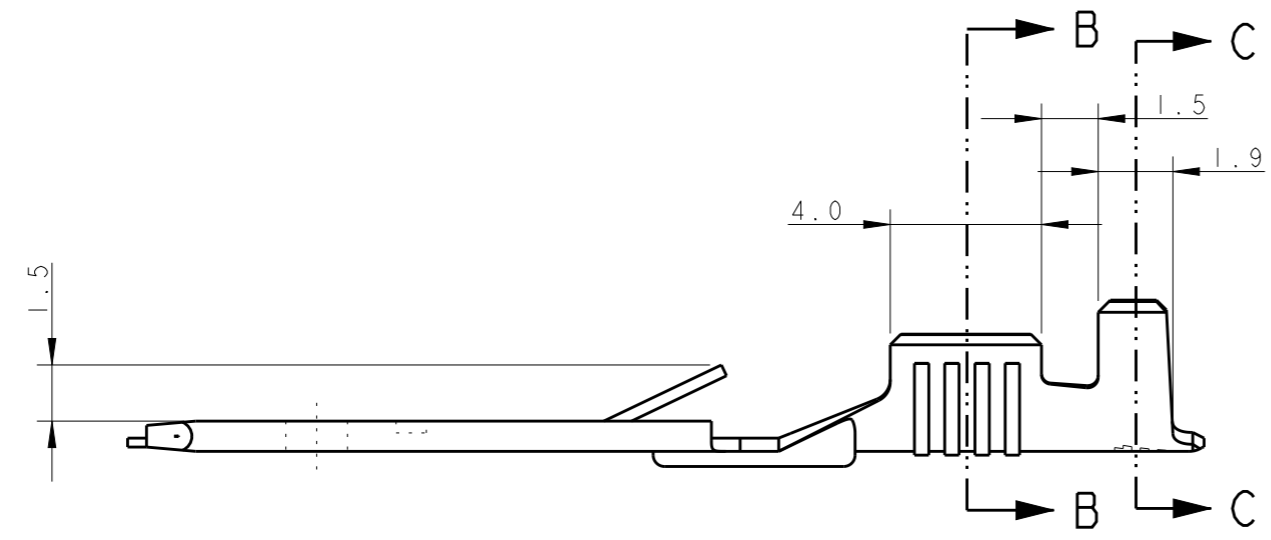
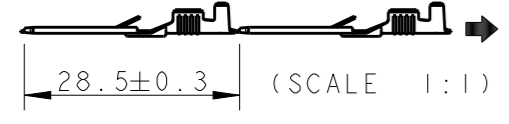


THIS DRAWING IS UNPUBLISHED. RELEASED FOR PUBLICATION 2004
 © COPYRIGHT 2004 ALL RIGHTS RESERVED.

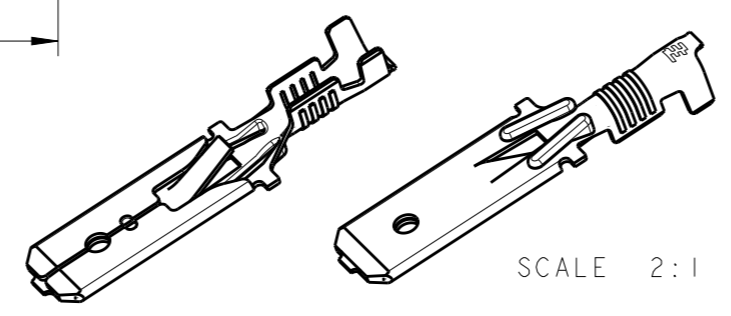
LOC	DIST	REVISIONS					
		P	LTR	DESCRIPTION	DATE	DWN	APVD
1	-		B3	REVISED PER ECO-11-005301	28MAR2011	RK	HMR
			B4	NEW PNs WITHOUT INTERLEAVE ADDED	20MAY2013	PKS	RRP
			C	PLATING INFO CORRECTED FOR 3- -2	17JUN2013	PKS	RRP
			C1	NEW PNs WITH NEW Q'TY ADDED	08APR2018	DT	TD



1) STATO DI FORNITURA (SUPPLY CONDITION, Scala 1:1)



SENSO DI USCITA DEL TERMINALE DALLA BOBINA (DIRECTION OFF TOP OF REEL)



2) BOBINATO SU BOBINA 12" CON CARTA INTERPOSTA (REELED ON 12" CARTON TYPE REEL WITH INTERLEAVE PAPER STRIP)

3) SPLICING STRIP PRODUCT BY SPOT WELDING PERMITTED

- 4 VERSIONI CON FORO (VERSION WITH HOLE)
- 5 REELED WITHOUT INTERLEAVE PAPER
- 6 NEW PNs WITH NEW Q'TY ADDED

NOTE (NOTES)	VERSIONI (VERSIONS)	FINITURA (FINISH)	MATERIALE (MATERIAL)	NUMERO (TE P/N)
		PRE-STAGNATO (PRE-TINNED)	OTTONE (BRASS)	3-293041-2
		NUDO (PLAIN)	OTTONE (BRASS)	3-293041-1
		PRE-STAGNATO (PRE-TINNED)	OTTONE (BRASS)	2-293041-2
		NUDO (PLAIN)	OTTONE (BRASS)	2-293041-1
6		PRE-STAGNATO (PRE-TINNED)	OTTONE (BRASS)	7-293041-2
		PRE-STAGNATO (PRE-TINNED)	OTTONE (BRASS)	1-293041-2
		NUDO (PLAIN)	OTTONE (BRASS)	1-293041-1
6		PRE-STAGNATO (PRE-TINNED)	OTTONE (BRASS)	6-293041-2
6		NUDO (PLAIN)	OTTONE (BRASS)	6-293041-1
		PRE-STAGNATO (PRE-TINNED)	OTTONE (BRASS)	0-293041-2
		NUDO (PLAIN)	OTTONE (BRASS)	0-293041-1

THIS DRAWING IS A CONTROLLED DOCUMENT.		DWN 04 JUL 2005 H. Yaali	TE Connectivity			
DIMENSIONS: mm		CHK G. Turco				
TOLERANCES UNLESS OTHERWISE SPECIFIED:		APVD -	NAME FASTIN-FASTON Connector, 6.3 mm SR. TAB CONTACT			
0 PLC ±0.3		PRODUCT SPEC 108-20020				
1 PLC ±		APPLICATION SPEC 114-20119	SIZE A3	CAGE CODE 00779	DRAWING NO C-293041	RESTRICTED TO -
2 PLC ±		WEIGHT -	SCALE 5:1		SHEET 1 OF 1	REV C1
3 PLC ±		Customer Drawing				
4 PLC ±						
ANGLES ±2°						
FINISH SEE TABLE						
MATERIAL SEE TABLE						
DIAM. ISOLANTE (INS. DIA. RANGE) Ø2.3 mm MAX						
RANGO FILO (WIRE RANGE) 0.35-1.00 mm ²						

X-ON Electronics

Largest Supplier of Electrical and Electronic Components

Click to view similar products for [Terminals](#) category:

Click to view products by [TE Connectivity](#) manufacturer:

Other Similar products are found below :

[00-054007-01074-6](#) [00-054007-70206-1](#) [00-054007-70210-8](#) [00-054007-70217-7](#) [00-054007-70226-9](#) [00-054007-70228-3](#) [00-054007-70248-1](#) [00-054007-70256-6](#) [00-054007-70301-3](#) [00-054007-70316-7](#) [00-054007-49560-4](#) [00-054007-70209-2](#) [00-054007-70225-2](#) [00-054007-70227-6](#) [00-054007-70231-3](#) [00-054007-70241-2](#) [00-054007-70242-9](#) [00-054007-70244-3](#) [00-054007-70246-7](#) [00-054007-70263-4](#) [00-054007-70288-7](#) [00-054007-70290-0](#) [00-054007-70300-6](#) [00-054007-70304-4](#) [01-2065-1-0216](#) [01-2900-1-04412](#) [00581P0075](#) [600TS-10](#) [60205-1](#) [604200-1](#) [605601-1](#) [60598-1-CUT-TAPE](#) [61314-6-C](#) [61810-3](#) [61-S](#) [61-SN](#) [626-0194](#) [62-NBM-A](#) [62-SN](#) [62-SP](#) [63-S](#) [640179-1](#) [M55155/059I03](#) [M55155/079C01](#) [M55155/099H02](#) [M55155/109H01](#) [M55155/109H02](#) [M55155/12XH05](#) [M55155/16XH02](#) [M55155/29-5S](#)