

THIS DRAWING IS UNPUBLISHED.

RELEASED FOR PUBLICATION

20

© COPYRIGHT 20

Tyco Electronics AMP GmbH

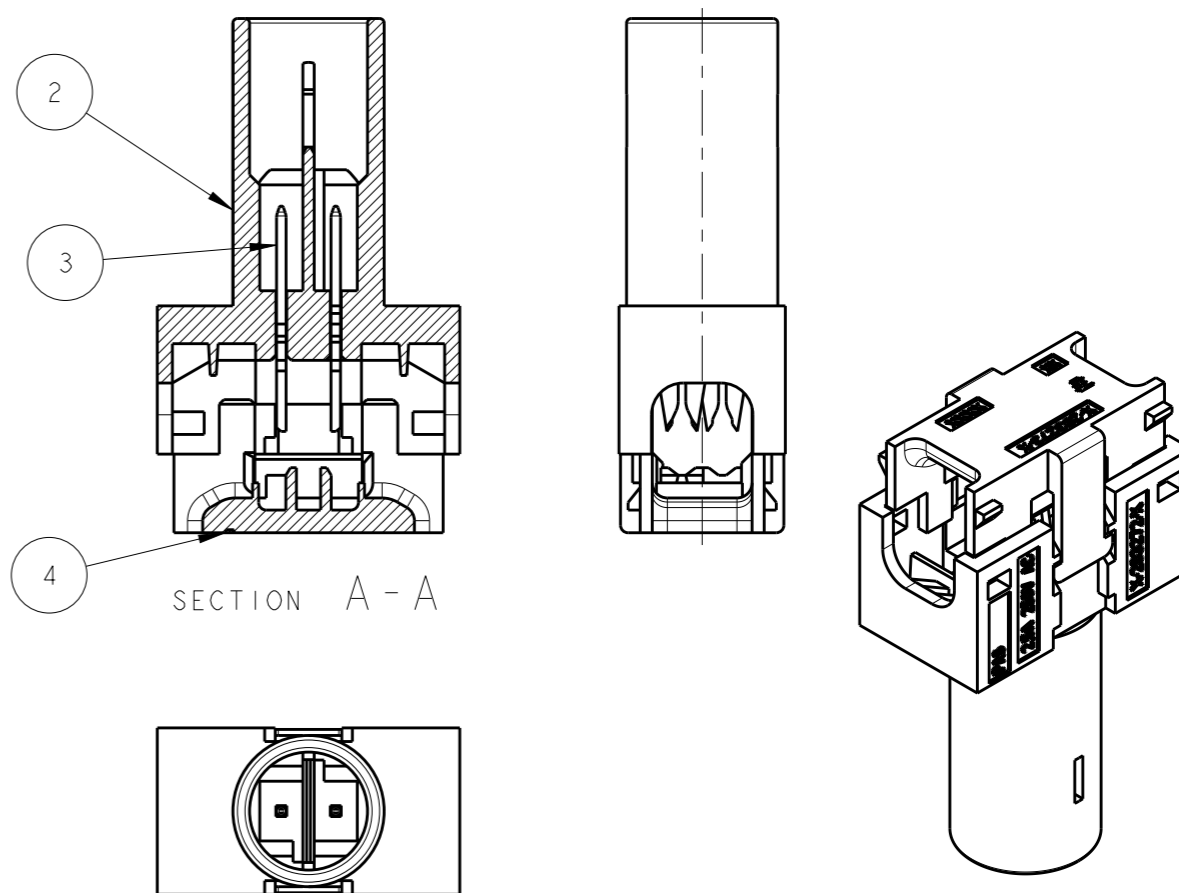
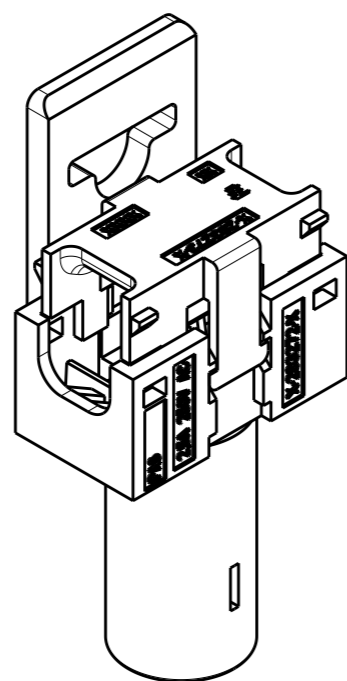
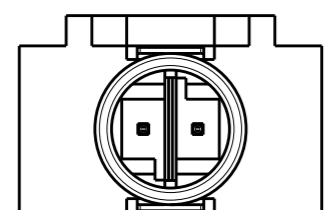
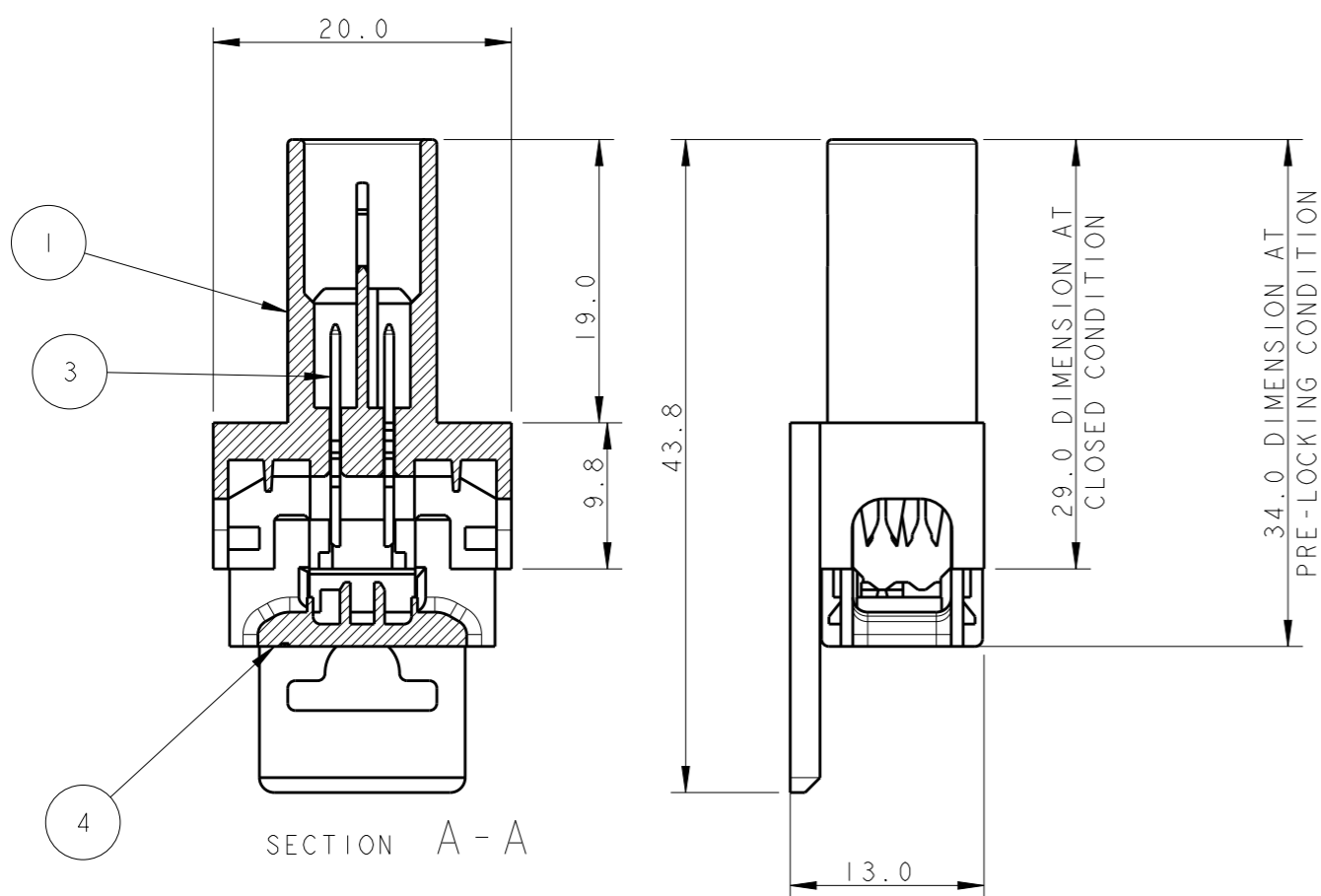
ALL RIGHTS RESERVED.

LOC  
A1

DIST  
-

REVISIONS

P	LTR	DESCRIPTION	DATE	DWN	APVD
L		IMPROVED LOCKING RETENTION TEETH	20MAY2011	AV	GT
M		REMOVED H05VVH2-F CABLE	22AUG2012	MZ	JC
N		ECR-16-004670	26APR2016	RS	JL

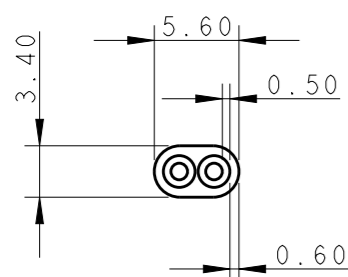


P/N 0-293300-3;-4 AS SHOWN  
POLARIZATION KEY HV-1

MISSING DIMENSION SEE P/N 0-...-1

CABLE CONFIGURATION

CABLE H03VVH2-F  
2x0.75 mm<sup>2</sup>



P/N 0-293300-1;-2 AS SHOWN  
POLARIZATION KEY HV-1

THIS DRAWING IS A CONTROLLED DOCUMENT.

DIMENSIONS: mm	TOLERANCES UNLESS OTHERWISE SPECIFIED:
	0 PLC ±-
	1 PLC ±0.3
	2 PLC ±0.05
	3 PLC ±-
	4 PLC ±-
	ANGLES ±°
MATERIAL -	FINISH -

DWN A. Vecchia	23APR2007
CHK G. Turco	23APR2007
APVD G. Turco	23APR2007
PRODUCT SPEC	108-94018
APPLICATION SPEC	114-20131
WEIGHT	-
CUSTOMER DRAWING	

**STE** TE Connectivity

NAME BUS BAR 2 POSITION GENERAL		RESTRICTED TO
SIZE A3	CAGE CODE 00779	DRAWING NO C-293300
SCALE 2:1	SHEET 1	OF 2
REV N		

THIS DRAWING IS UNPUBLISHED.

RELEASED FOR PUBLICATION

20

© COPYRIGHT 20 Tyco Electronics AMP GmbH

ALL RIGHTS RESERVED.

LOC  
A1

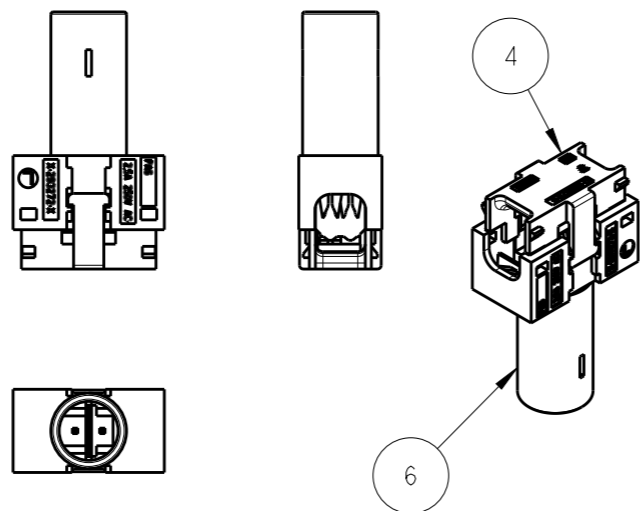
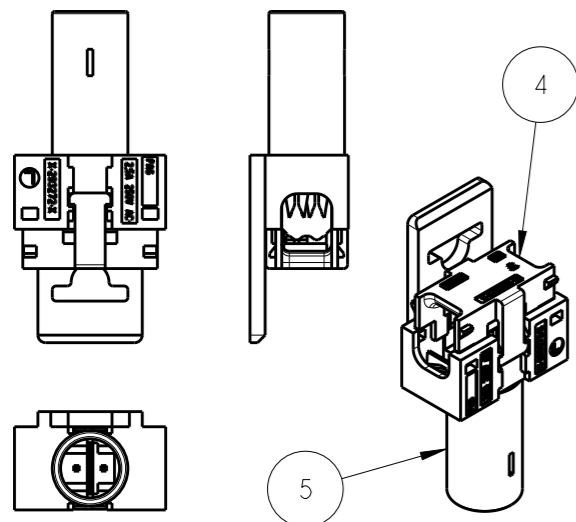
DIST  
-

REVISIONS

P	LTR	DESCRIPTION	DATE	DWN	APVD
-		SEE SHEET 1	-	-	-

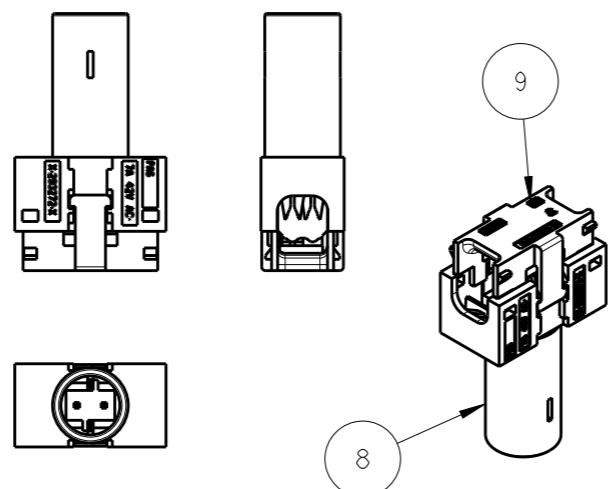
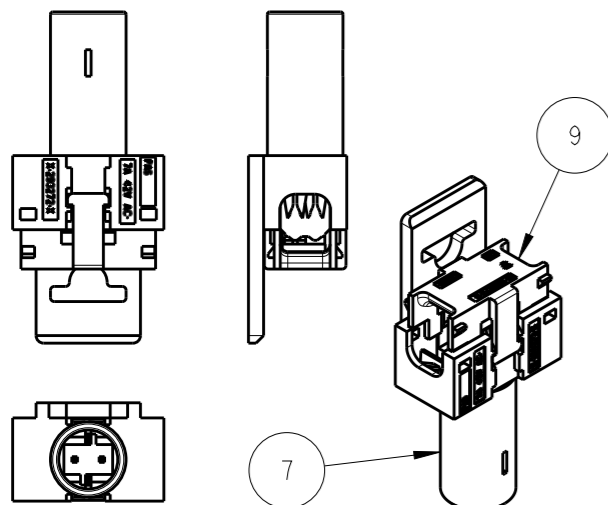
P/N 0-293300-5;-6 AS SHOWN  
POLARIZATION KEY HV-4

P/N 0-293300-7;-8 AS SHOWN  
POLARIZATION KEY HV-4



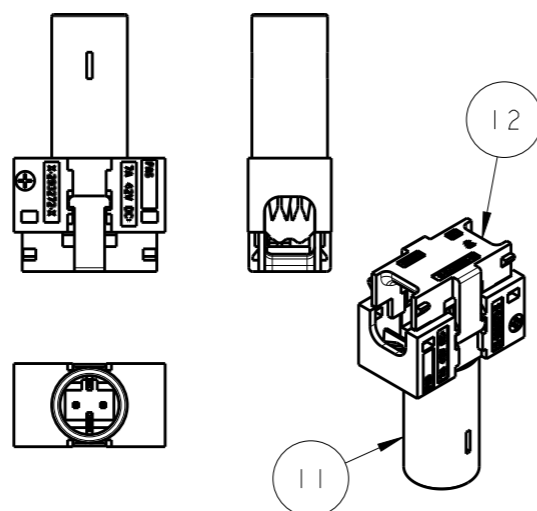
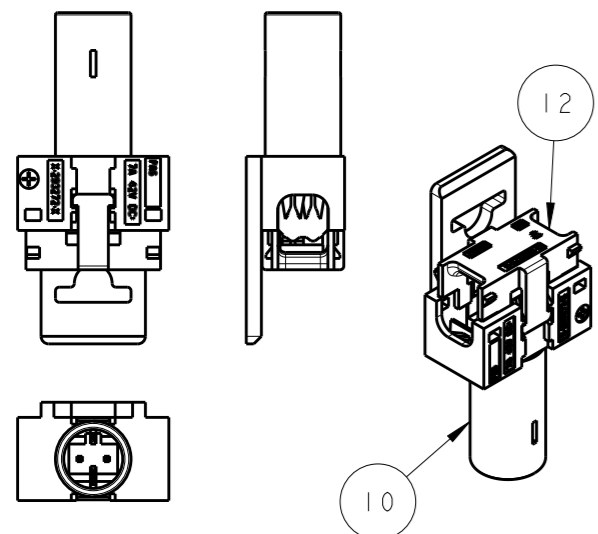
P/N 0-293300-9 AS SHOWN  
POLARIZATION KEY LV-1

P/N 1-293300-0 AS SHOWN  
POLARIZATION KEY LV-1



P/N 1-293300-1 AS SHOWN  
POLARIZATION KEY LV-2

P/N 1-293300-2 AS SHOWN  
POLARIZATION KEY LV-2



																	COVER YELLOW	12
																	BODY HOUSING W/O FLANGE YELLOW LV-2	11
																	BODY HOUSING YELLOW LV-2	10
																	COVER LIGHT GREY	9
																	BODY HOUSING W/O FLANGE LIGHT GREY LV-1	8
																	BODY HOUSING LIGHT GREY LV-1	7
																	BODY HOUSING W/O FLANGE BLACK HV-4	6
																	BODY HOUSING W/O FLANGE WHITE HV-4	6
																	BODY HOUSING BLACK HV-4	5
																	BODY HOUSING WHITE HV-4	5
																	COVER BLACK	4
																	COVER WHITE	4
2	2	2	2	2	2	2	2	2	2	2	2	2	2				CONTACT	3
																	BODY HOUSING W/O FLANGE BLACK HV-1	2
																	BODY HOUSING W/O FLANGE WHITE HV-1	2
																	BODY HOUSING BLACK HV-1	1
																	BODY HOUSING WHITE HV-1	1
1-2	1-1	1-0	-9	-8	-7	-6	-5	-4	-3	-2	-1						DESCRIPTION	ITEM
L	L	L	L	L	L	L	L	L	L	L	L						REVISIONE DELL'ASSEMBLATO (REV. OF EACH ASSY NO)	
LV-2	LV-2	LV-1	LV-1	HV-4	HV-4	HV-4	HV-4	HV-1	HV-1	HV-1	HV-1						KEYING ELENCO DEI COMPONENTI (PART LIST)	

THIS DRAWING IS A CONTROLLED DOCUMENT.

DIMENSIONS:	
mm	

TOLERANCES UNLESS OTHERWISE SPECIFIED:	
0 PLC	±-
1 PLC	±0.3
2 PLC	±0.05
3 PLC	±-
4 PLC	±-
ANGLES	±°
MATERIAL	-
FINISH	-

DWN	23APR2007
A. Vecchia	
CHK	23APR2007
G. Turco	
APVD	23APR2007
G. Turco	
PRODUCT SPEC	108-94018
APPLICATION SPEC	114-20131
WEIGHT	-
CUSTOMER DRAWING	

		TE Connectivity	
NAME BUS BAR 2 POSITION GENERAL			
SIZE	CAGE CODE	DRAWING NO	RESTRICTED TO
A3	00779	C-293300	-
SCALE 2:1		SHEET 2 OF 2	REV N

## X-ON Electronics

Largest Supplier of Electrical and Electronic Components

*Click to view similar products for [Lighting Connectors](#) category:*

*Click to view products by [TE Connectivity](#) manufacturer:*

Other Similar products are found below :

[293300-7](#) [293660-5](#) [CNX\\_H03\\_NTP](#) [30-9767-BU](#) [3605](#) [3-21030-1](#) [ZCH-110-RGB-I](#) [503471-0290](#) [ZCH-110-RGB-J](#) [217-0716-200](#)  
[1954563-1](#) [1-293657-2](#) [2834036-1](#) [2834037-1](#) [1-2213222-4](#) [2-2213222-4](#) [2213222-4](#) [2834122-3](#) [2834122-5](#) [2834135-2](#) [FLA-R4142-30](#)  
[FLA-R4162-30](#) [FLA-R2142-30](#) [FLA-R2141-30](#) [FLA-R2162-30](#) [FLA-R2161-30](#) [FLA-R0161-30](#) [FLA-R0141-30](#) [FLA-R0142-30](#) [FLA-](#)  
[R0162-30](#) [FLA-C00-00](#) [DGA00010553](#) [CNXV04NTP](#) [104128-0610](#) [503485-0000 \(Cut Strip\)](#) [503485-0000 \(Loose Piece\)](#) [503485-0000](#)  
[\(MINI Reel\)](#) [1-2834074-2](#) [1-2834074-3](#) [1357-AC PLUG W2C \(CHINA\)](#) [1357-AC PLUG W2 \(USA\)](#) [104266-0110](#) [2106212-1](#) [2-2834074-2](#)  
[104266-0210](#) [293470-1](#) [293651-2](#) [293651-4](#) [1-2834006-2](#) [293651-1](#)