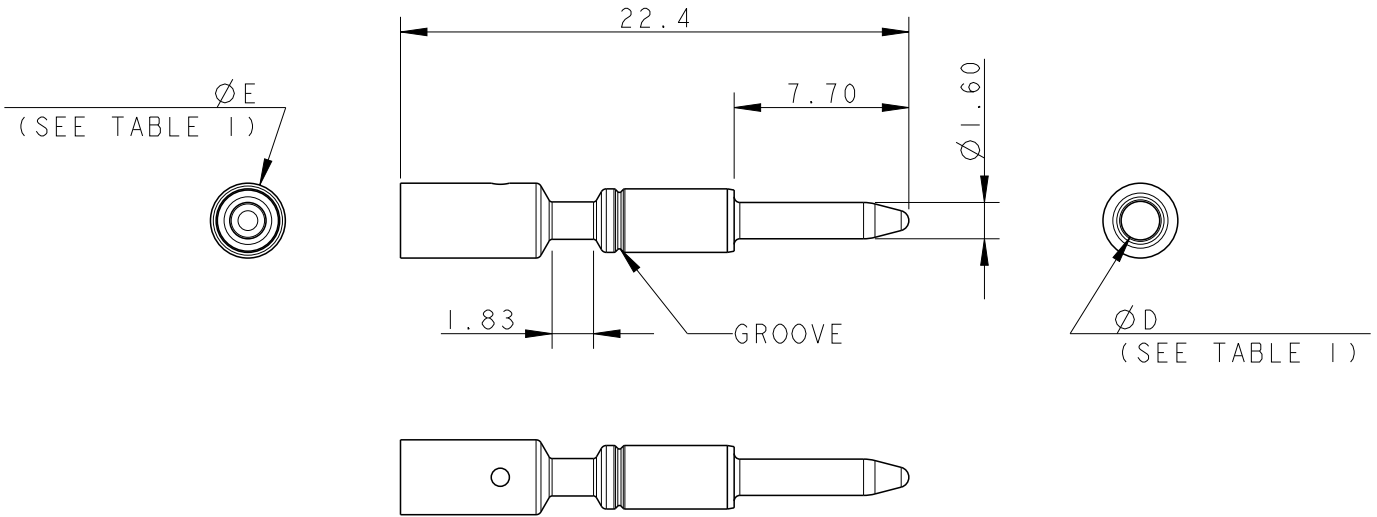


LOC	DIST	REVISIONS				
P	LTR	DESCRIPTION	DATE	DWN	APVD	
	E	UPDATED PART REVISION	12AUG2014	KR	JC	
	F	UPDATED PART REVISION	18AUG2014	KR	JC	
	G	UPDATED DRAWING	19FEB2015	KR	MZ	
	H	ECR-15-009919 AND ECR-15-010559	16JUL2015	RS	JL	



NOTES:

1) PACKAGING: SEE TE PACKAGING SPEC. 107-20294

2) PART NOT YET RELEASED FOR PRODUCTION

		2-293476-2
		1-293476-2
		293476-2
ADDITIONAL VIEWS, FOR REFERENCE	3D VIEWS FOR REFERENCE	PART NUMBER

NOTE	CROSS SECTION (sqmm)	DIMENSION "E"	DIMENSION "D"	NO. OF GROOVES	NET WEIGHT (g)	DESCRIPTION	PART NUMBER
2	4.0	3.9	2.8	0	~0.8	MACHINE PIN CONTACT NECTOR* M-LINE	2-293476-2
	2.5	3.3	2.2	0	~0.7	MACHINE PIN CONTACT NECTOR* M-LINE	1-293476-2
	1.5	3.3	1.7	1	~0.8	MACHINE PIN CONTACT NECTOR* M-LINE	293476-2

2010
RELEASED FOR PUBLICATION
ALL RIGHTS RESERVED.
COPYRIGHT 2010
BY -

DIMENSIONS: mm	DWN M. ZUCCA 22OCT2009	MATERIAL BRASS	FINISH TIN PLTD
TOLERANCES UNLESS OTHERWISE SPECIFIED:	CHK M. ZUCCA 22OCT2009	TE Connectivity	
0 PLC ±-	APVD G. TURCO 22OCT2009		
1 PLC ±0.3	PRODUCT SPEC 108-20304	NAME MACHINED PIN CONTACT NECTOR* M-LINE	
2 PLC ±0.20	APPLICATION SPEC 114-20152	SIZE A4	CAGE CODE 00779
3 PLC ±-	WEIGHT SEE TABLE 1	DRAWING NO C=293476	RESTRICTED TO -
4 PLC ±-	Customer Drawing	SCALE 3:1	SHEET 1 OF 1
ANGLES ±3°			REV H

X-ON Electronics

Largest Supplier of Electrical and Electronic Components

Click to view similar products for [Lighting Connectors](#) category:

Click to view products by [TE Connectivity](#) manufacturer:

Other Similar products are found below :

[293300-7](#) [293660-5](#) [CNX_H03_NTP](#) [30-9767-BU](#) [3605](#) [3-21030-1](#) [ZCH-110-RGB-I](#) [503471-0290](#) [ZCH-110-RGB-J](#) [217-0716-200](#)
[1954563-1](#) [1-293657-2](#) [2834036-1](#) [2834037-1](#) [1-2213222-4](#) [2-2213222-4](#) [2213222-4](#) [2834122-3](#) [2834122-5](#) [2834135-2](#) [FLA-R4142-30](#)
[FLA-R4162-30](#) [FLA-R2142-30](#) [FLA-R2141-30](#) [FLA-R2162-30](#) [FLA-R2161-30](#) [FLA-R0161-30](#) [FLA-R0141-30](#) [FLA-R0142-30](#) [FLA-](#)
[R0162-30](#) [FLA-C00-00](#) [DGA00010553](#) [CNXV04NTP](#) [104128-0610](#) [503485-0000 \(Cut Strip\)](#) [503485-0000 \(Loose Piece\)](#) [503485-0000](#)
[\(MINI Reel\)](#) [1-2834074-2](#) [1-2834074-3](#) [1357-AC PLUG W2C \(CHINA\)](#) [1357-AC PLUG W2 \(USA\)](#) [104266-0110](#) [2106212-1](#) [2-2834074-2](#)
[104266-0210](#) [293470-1](#) [293651-2](#) [293651-4](#) [1-2834006-2](#) [293651-1](#)