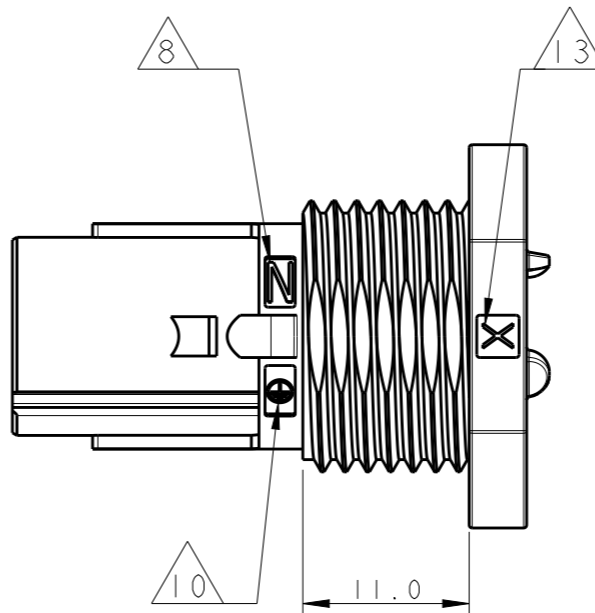
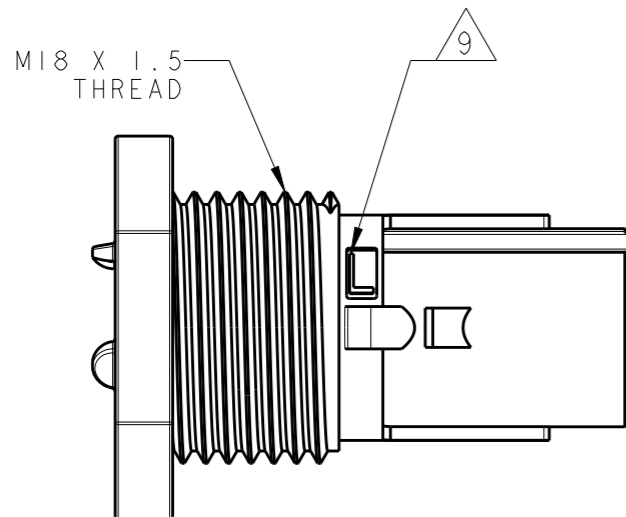
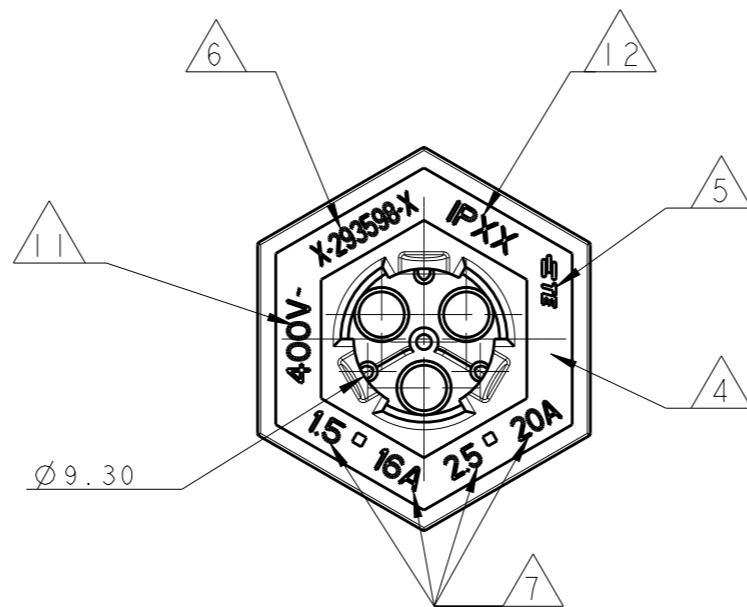
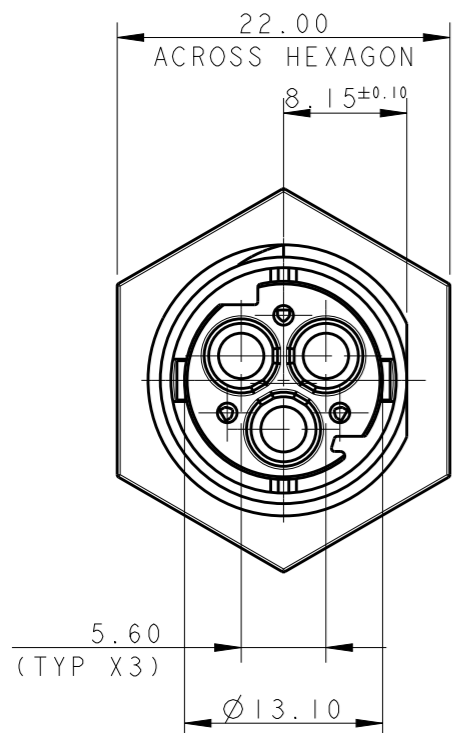


THIS DRAWING IS UNPUBLISHED. RELEASED FOR PUBLICATION 2011  
 © COPYRIGHT 2011 BY - ALL RIGHTS RESERVED.

| LOC | DIST | REVISIONS |     |  |           |     |      |
|-----|------|-----------|-----|--|-----------|-----|------|
|     |      | P         | LTR | DESCRIPTION                                    | DATE      | DWN | APVD |
| 1   | -    |           | E1  | REVISED MARKINGS                               | 06NOV2012 | MZ  | JC   |
|     |      |           | F   | PARTS -2, -3, 1-2, 1-3 RELEASED FOR PRODUCTION | 26JUN2013 | KR  | JC   |
|     |      |           | G   | REVISED PART NUMBERS AND ALIGNED REVISIONS     | 17JUL2017 | SK  | MZ   |
|     |      |           | G1  | REVISED PER ECR-18-006945                      | 20SEP2018 | SR  | MZ   |



- NOTES:
- 1 MATERIAL: POLYAMIDE GLASS FILLED COLOUR NATURAL
  - 2 MATERIAL: POLYAMIDE GLASS FILLED COLOUR BLACK
  - 3 PACKAGING: SEE TE PACKAGING SPECIFICATION 107-20294
  - 4 AREA FOR AGENCY APPROVAL LOGO
  - 5 TE LOGO
  - 6 TE PART NUMBER
  - 7 CONDUCTOR SIZE AND CURRENT RATING
  - 8 N CODE
  - 9 L CODE
  - 10 PE CODE
  - 11 RATED VOLTAGE
  - 12 IP CODE
  - 13 CAVITY MOULD CODE

3D VIEWS, FOR REFERENCE ONLY



SCALE 1:1

|   |  |                         |  |                 |
|---|--|-------------------------|--|-----------------|
| THIS DRAWING IS A CONTROLLED DOCUMENT.                                      |  | DWN M. ZUCCA 29OCT2009  | TE Connectivity                                      |                 |
| DIMENSIONS: mm  |  | CHK M. ZUCCA 29OCT2009  |  |                 |
| TOLERANCES UNLESS OTHERWISE SPECIFIED:                                      |  | APVD G. TURCO 29OCT2009 | NAME   |                 |
| 0 PLC ±-<br>1 PLC ±0.3<br>2 PLC ±0.20<br>3 PLC ±-<br>4 PLC ±-<br>ANGLES ±3° |  | PRODUCT SPEC 108-20304  | PIN HOUSING<br>PANEL MOUNT VERSION<br>NECTOR* M-LINE |                 |
| MATERIAL SEE NOTES  |  | FINISH -                | APPLICATION SPEC 114-20452                           | RESTRICTED TO   |
|   |  | WEIGHT ~6.2 g           | SIZE A3  | CAGE CODE 00779 |
|   |  | Customer Drawing        | DRAWING NO. C-293598                                 | SCALE 2:1       |
|   |  |                         | SHEET 1 OF 4   | REV G1          |

THIS DRAWING IS UNPUBLISHED.

RELEASED FOR PUBLICATION

2011

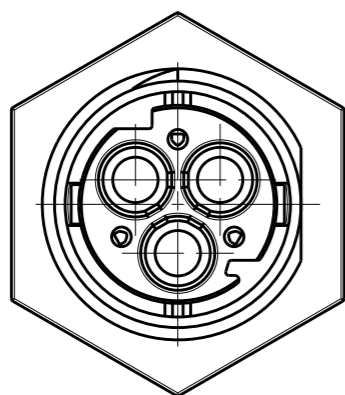
© COPYRIGHT 2011 BY -

ALL RIGHTS RESERVED.

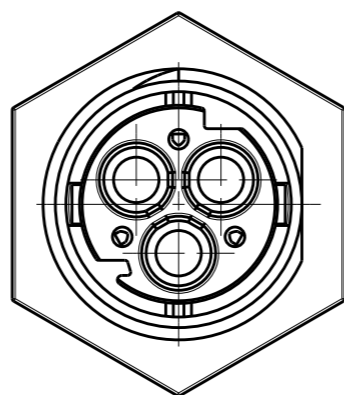
| LOC | DIST | REVISIONS   |      |     |      |
|-----|------|-------------|------|-----|------|
| P   | LTR  | DESCRIPTION | DATE | DWN | APVD |
|     |      | SEE SHEET 1 | -    | -   | -    |

### PLARIZATION KEYS

#### TYPE "A"



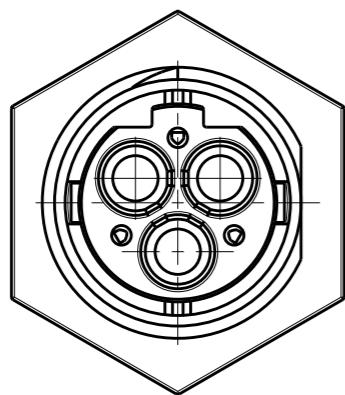
#### TYPE "B"



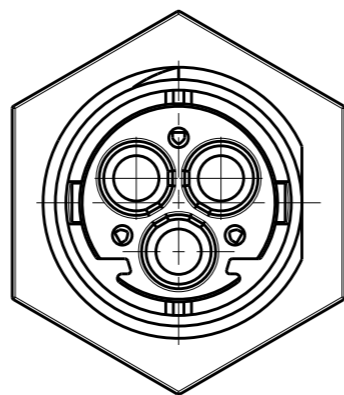
P/Ns: 0-293598-1,  
1-293598-1, ~~2-293598-1~~

P/Ns: 0-293598-2,  
1-293598-2, ~~2-293598-2~~

#### TYPE "C"



#### TYPE "D"

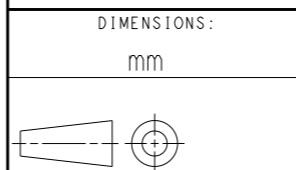


P/Ns: 0-293598-3,  
1-293598-3, ~~2-293598-3~~

P/Ns: ~~0-293598-4,~~  
~~1-293598-4, 2-293598-4~~

|          |    |                |             |                |  |             |            |
|----------|----|----------------|-------------|----------------|--|-------------|------------|
| OBSOLETE | 67 | D              | BLACK       | △ <sub>2</sub> | PIN HSG PANEL MOUNT VERS. NECTOR* M-LINE | A           | 2-293598-4 |
|          | 67 | C              | BLACK       | △ <sub>2</sub> | PIN HSG PANEL MOUNT VERS. NECTOR* M-LINE | D           | 2-293598-3 |
|          | 67 | B              | BLACK       | △ <sub>2</sub> | PIN HSG PANEL MOUNT VERS. NECTOR* M-LINE | D           | 2-293598-2 |
|          | 67 | A              | BLACK       | △ <sub>2</sub> | PIN HSG PANEL MOUNT VERS. NECTOR* M-LINE | D           | 2-293598-1 |
|          | 40 | D              | BLACK       | △ <sub>2</sub> | PIN HSG PANEL MOUNT VERS. NECTOR* M-LINE | G           | 1-293598-4 |
| OBSOLETE | 40 | C              | BLACK       | △ <sub>2</sub> | PIN HSG PANEL MOUNT VERS. NECTOR* M-LINE | G           | 1-293598-3 |
|          | 40 | B              | BLACK       | △ <sub>2</sub> | PIN HSG PANEL MOUNT VERS. NECTOR* M-LINE | G           | 1-293598-2 |
|          | 40 | A              | BLACK       | △ <sub>2</sub> | PIN HSG PANEL MOUNT VERS. NECTOR* M-LINE | G           | 1-293598-1 |
|          | 40 | D              | NATURAL     | △ <sub>1</sub> | PIN HSG PANEL MOUNT VERS. NECTOR* M-LINE | G           | 0-293598-4 |
| OBSOLETE | 40 | C              | NATURAL     | △ <sub>1</sub> | PIN HSG PANEL MOUNT VERS. NECTOR* M-LINE | G           | 0-293598-3 |
|          | 40 | B              | NATURAL     | △ <sub>1</sub> | PIN HSG PANEL MOUNT VERS. NECTOR* M-LINE | G           | 0-293598-2 |
|          | 40 | A              | NATURAL     | △ <sub>1</sub> | PIN HSG PANEL MOUNT VERS. NECTOR* M-LINE | G           | 0-293598-1 |
|          |    | IP DEGREE CODE | POL. KEYING | COLOUR         | MATERIAL                                 | DESCRIPTION | REV.       |

THIS DRAWING IS A CONTROLLED DOCUMENT.



MATERIAL SEE NOTES

| DIMENSIONS: |       | TOLERANCES UNLESS OTHERWISE SPECIFIED: |       |
|-------------|-------|--|-------|
|             | mm    |  |       |
| 0 PLC       | ±0.3  | 1 PLC                                  | ±0.20 |
| 2 PLC       | ±0.20 | 3 PLC                                  | ±0.20 |
| 3 PLC       | ±0.20 | 4 PLC                                  | ±0.20 |
| 4 PLC       | ±0.20 | ANGLES                                 | ±3°   |
| FINISH      | -     |  |       |

|                  |           |           |
|------------------|-----------|-----------|
| DWN              | M. ZUCCA  | 29OCT2009 |
| CHK              | M. ZUCCA  | 29OCT2009 |
| APVD             | G. TURCO  | 29OCT2009 |
| PRODUCT SPEC     | 108-20304 |           |
| APPLICATION SPEC | 114-20452 |           |
| WEIGHT           | ~6.2 g    |           |

**STE** TE Connectivity

NAME: PIN HOUSING PANEL MOUNT VERSION NECTOR\* M-LINE

|      |           |            |               |
|------|-----------|------------|---------------|
| SIZE | CAGE CODE | DRAWING NO | RESTRICTED TO |
| A3   | 00779     | C-293598   | -             |

4

3

2

1

THIS DRAWING IS UNPUBLISHED.

RELEASED FOR PUBLICATION

2011

© COPYRIGHT 2011 BY -

ALL RIGHTS RESERVED.

| LOC | DIST | REVISIONS |     |             |      |     |      |
|-----|------|-----------|-----|-------------|------|-----|------|
|     |      | P         | LTR | DESCRIPTION | DATE | DWN | APVD |
| 1   | -    | -         | -   | SEE SHEET 1 | -    | -   | -    |
|     |      |           |     |             |      |     |      |
|     |      |           |     |             |      |     |      |

PANEL / WALL

26.2

7.0

1.5-4.0

PANEL / WALL  
SUGGESTED CUT OUT

$\varnothing 18.00^{+0.20}$

$8.30^{+0.20}$

THIS DRAWING IS A CONTROLLED DOCUMENT.

DWN M. ZUCCA 29OCT2009

CHK M. ZUCCA 29OCT2009

APVD G. TURCO 29OCT2009

PRODUCT SPEC 108-20304

APPLICATION SPEC 114-20452

WEIGHT ~6.2 g

Customer Drawing

NAME  
PIN HOUSING  
PANEL MOUNT VERSION  
NECTOR\* M-LINE

| SIZE | CAGE CODE | DRAWING NO | RESTRICTED TO |
|------|-----------|------------|---------------|
|------|-----------|------------|---------------|

|         |          |  |  |
|---------|----------|--|--|
| A300779 | C=293598 |  |  |
|---------|----------|--|--|

|           |              |        |
|-----------|--------------|--------|
| SCALE 2:1 | SHEET 3 OF 4 | REV G1 |
|-----------|--------------|--------|

DIMENSIONS:  
mmTOLERANCES UNLESS  
OTHERWISE SPECIFIED:

|        |       |
|--------|-------|
| 0 PLC  | ±     |
| 1 PLC  | ±0.3  |
| 2 PLC  | ±0.20 |
| 3 PLC  | ±     |
| 4 PLC  | ±     |
| ANGLES | ±3°   |

MATERIAL SEE NOTES

FINISH -

1470-19 (3/11)

THIS DRAWING IS UNPUBLISHED.

RELEASED FOR PUBLICATION

2011

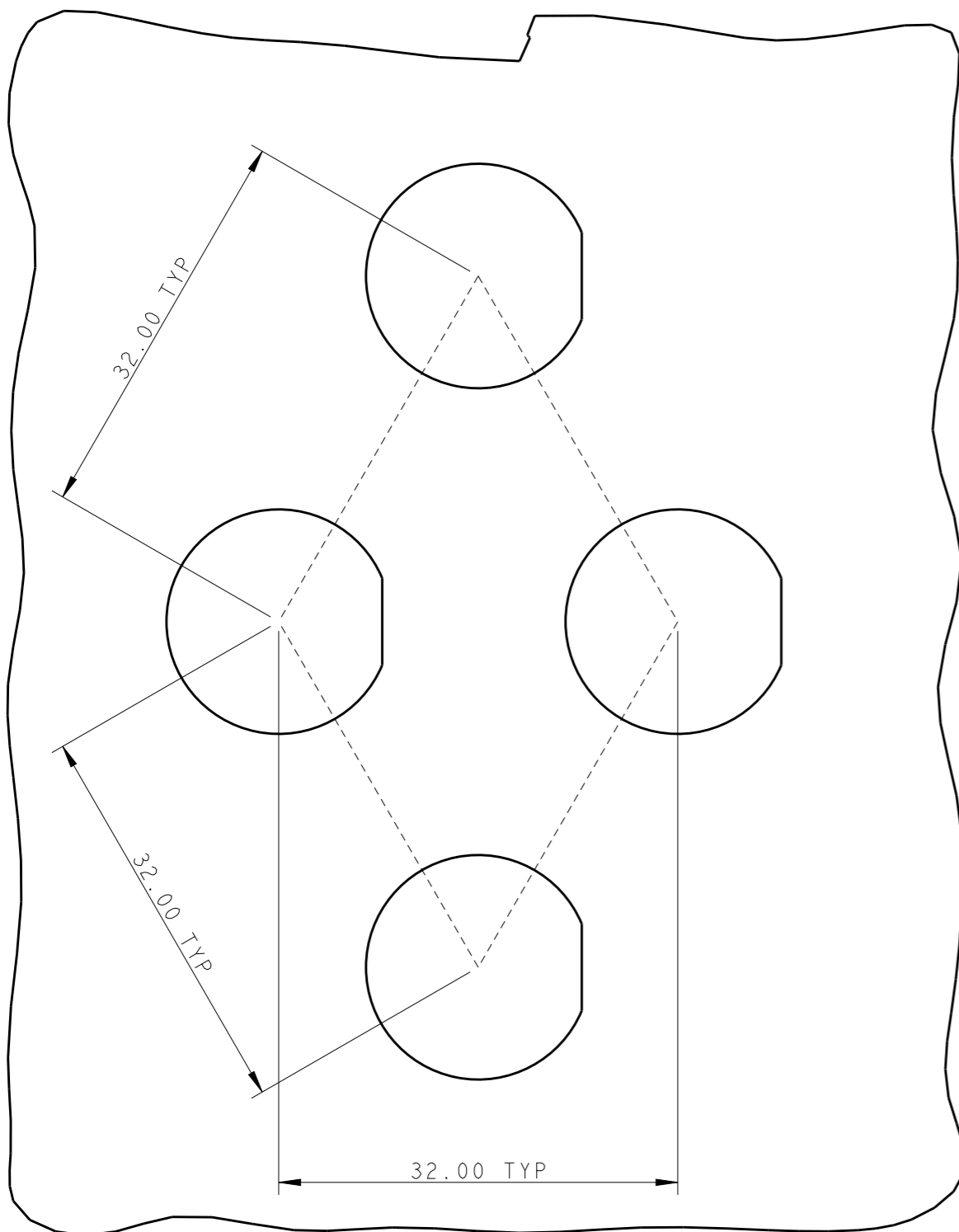
© COPYRIGHT 2011 BY -

ALL RIGHTS RESERVED.

| LOC | DIST | REVISIONS |     |             |      |     |      |
|-----|------|-----------|-----|-------------|------|-----|------|
|     |      | P         | LTR | DESCRIPTION | DATE | DWN | APVD |
| 1   | -    | -         | -   | SEE SHEET 1 | -    | -   | -    |
|     |      |           |     |             |      |     |      |
|     |      |           |     |             |      |     |      |

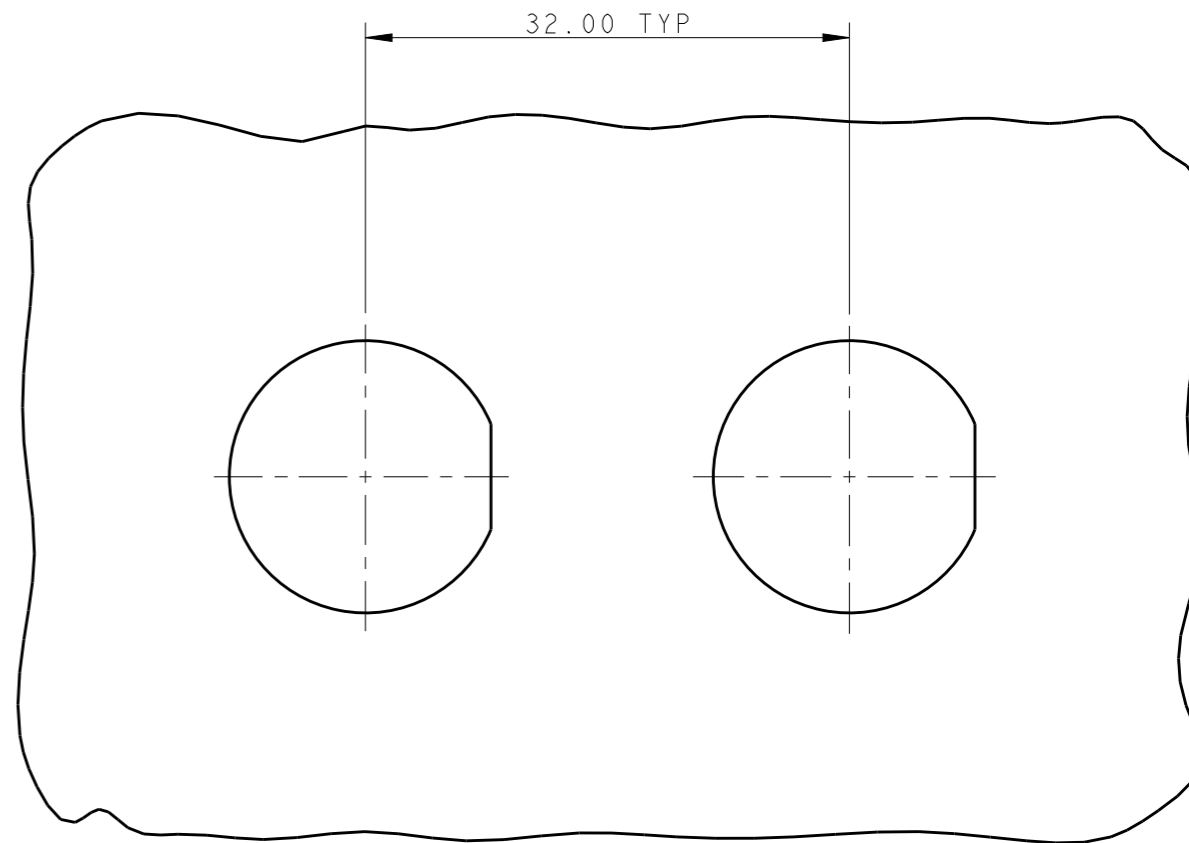
PANEL / WALL  
SUGGESTED CUT OUT FOR  
MULTIPLE HOLES ON MULTIPLE ROWS


(PITCH CAN BE ADJUSTED TO CUSTOMER  
 NEED BUT IN ANY CASE MUST NOT BE LESS  
 THAN 30.00 mm)



PANEL / WALL  
SUGGESTED CUT OUT FOR  
MULTIPLE HOLES ON SINGLE ROW

(PITCH CAN BE ADJUSTED TO CUSTOMER  
 NEED BUT IN ANY CASE MUST NOT BE LESS  
 THAN 30.00 mm)



|  |  |                               |           |   |                    |
|--|--|-------------------------------|-----------|---|--------------------|
| THIS DRAWING IS A CONTROLLED DOCUMENT.                                   |  | DWN<br>M. ZUCCA               | 29OCT2009 |  TE Connectivity |                    |
| DIMENSIONS:<br>mm  |  | CHK<br>M. ZUCCA               | 29OCT2009 |   |                    |
| TOLERANCES UNLESS OTHERWISE SPECIFIED:                                   |  | APVD<br>G. TURCO              | 29OCT2009 | NAME<br>PIN HOUSING<br>PANEL MOUNT VERSION<br>NECTOR* M-LINE  |                    |
| 0 PLC ±<br>1 PLC ±0.3<br>2 PLC ±0.20<br>3 PLC ±<br>4 PLC ±<br>ANGLES ±3° |  | PRODUCT SPEC<br>108-20304     |           | RESTRICTED TO   |                    |
| MATERIAL SEE NOTES   |  | APPLICATION SPEC<br>114-20452 |           | SIZE<br>A3  | CAGE CODE<br>00779 |
| FINISH -   |  | WEIGHT ~6.2 g                 |           | DRAWING NO<br>C-293598  |                    |
|  |  | Customer Drawing              |           | SCALE<br>2:1  | SHEET 4 OF 4       |

## X-ON Electronics

Largest Supplier of Electrical and Electronic Components

*Click to view similar products for [Lighting Connectors](#) category:*

*Click to view products by [TE Connectivity](#) manufacturer:*

Other Similar products are found below :

[293300-7](#) [293660-5](#) [CNX\\_H03\\_NTP](#) [30-9767-BU](#) [3605](#) [3-21030-1](#) [ZCH-110-RGB-I](#) [503471-0290](#) [ZCH-110-RGB-J](#) [217-0716-200](#)  
[1954563-1](#) [1-293657-2](#) [2834036-1](#) [2834037-1](#) [1-2213222-4](#) [2-2213222-4](#) [2213222-4](#) [2834122-3](#) [2834122-5](#) [2834135-2](#) [FLA-R4142-30](#)  
[FLA-R4162-30](#) [FLA-R2142-30](#) [FLA-R2141-30](#) [FLA-R2162-30](#) [FLA-R2161-30](#) [FLA-R0161-30](#) [FLA-R0141-30](#) [FLA-R0142-30](#) [FLA-](#)  
[R0162-30](#) [FLA-C00-00](#) [DGA00010553](#) [CNXV04NTP](#) [104128-0610](#) [503485-0000 \(Cut Strip\)](#) [503485-0000 \(Loose Piece\)](#) [503485-0000](#)  
[\(MINI Reel\)](#) [1-2834074-2](#) [1-2834074-3](#) [1357-AC PLUG W2C \(CHINA\)](#) [1357-AC PLUG W2 \(USA\)](#) [104266-0110](#) [CNXV02NTP](#) [2106212-1](#)  
[2-2834074-2](#) [104266-0210](#) [293470-1](#) [293651-2](#) [293651-4](#) [1-2834006-2](#)