

4

3

2

1

THIS DRAWING IS UNPUBLISHED.

RELEASED FOR PUBLICATION

2011

© COPYRIGHT 2011 BY -

ALL RIGHTS RESERVED.

LOC  
1DIST  
-

REVISIONS

P	LTR	DESCRIPTION	DATE	DWN	APVD
B2		PARTS -2, -3, 1-2, 1-3	26JUN2013	KR	JC
B3		ECR-15-010109	21JUL2015	RS	PO
C		REVISED PART NUMBERS AND ALIGNED REVISIONS	17JUL2017	SK	MZ
C1		REVISED PER ECR-18-006945	20SEP2018	SR	MZ

NOTES:

1 MATERIAL: POLYAMIDE GLASS FILLED  
COLOUR NATURAL

2 MATERIAL: POLYAMIDE GLASS FILLED  
COLOUR BLACK

3) PACKAGING: SEE TE PACKAGING SPEC. 107-20294

4 AREA FOR AGENCY APPROVAL LOGO

5 CAVITY MOULD I.D.  
& MANUFACTURING LOCATION CODE

6 TE LOGO

7 TE PART NUMBER

8 CONDUCTOR SIZE AND CURRENT RATING

9 N CODE

10 L CODE

11 PE CODE

12 RATED VOLTAGE

13 DATE CODE

3D VIEWS,  
FOR REFERENCE ONLY

SCALE 1:1

THIS DRAWING IS A CONTROLLED DOCUMENT.

DWN M. ZUCCA 06SEP2010

CHK M. ZUCCA 06SEP2010

APVD G. TURCO 06SEP2010

PRODUCT SPEC 108-20304

APPLICATION SPEC 114-20152

WEIGHT ~5.9 g

Customer Drawing

DIMENSIONS:

mm

TOLERANCES UNLESS OTHERWISE SPECIFIED:

0 PLC	±
1 PLC	±0.3
2 PLC	±0.20
3 PLC	±
4 PLC	±
ANGLES	±3°
FINISH	-

MATERIAL SEE NOTES

TE Connectivity

NAME			
SOCKET HOUSING PANEL MOUNT VERSION NECTOR* M-LINE			

SIZE	CAGE CODE	DRAWING NO	RESTRICTED TO
A3	00779	C-293606	-

SCALE	SHEET	OF	REV
2:1	1	4	C1

1470-19 (3/11)

THIS DRAWING IS UNPUBLISHED.

RELEASED FOR PUBLICATION

2011

© COPYRIGHT 2011 BY -

ALL RIGHTS RESERVED.

LOC	DIST	REVISIONS					
		P	LTR	DESCRIPTION	DATE	DWN	APVD
1	-	-	-	SEE SHEET 1	-	-	-

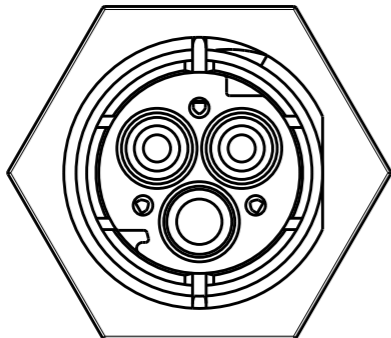
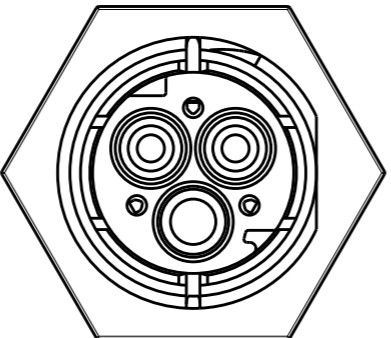
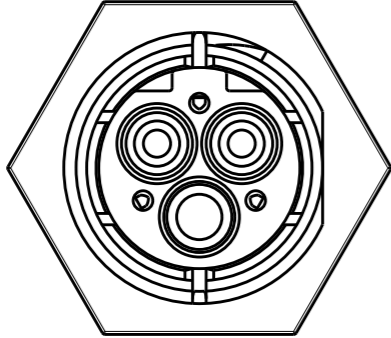
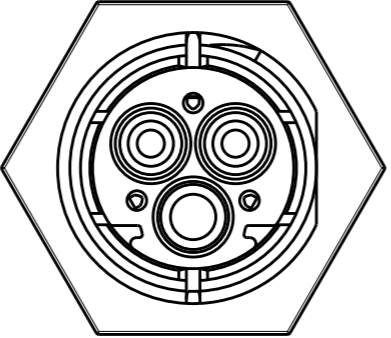

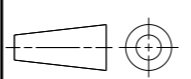
POLARIZATION TYPES	
TYPE "A"	TYPE "B"
	
P/Ns: 0-293606-1, 1-293606-1	P/Ns: 0-293606-2, 1-293606-2
TYPE "C"	TYPE "D"
	
P/Ns: 0-293606-3, 1-293606-3	P/Ns: <del>0-293606-4,</del> <del>1-293606-4,</del>

TABLE I					
MATERIAL	POL. KEYING	COLOUR	DESCRIPTION	REV.	PART NUMBER
OBSOLETE	2	D	BLACK	SOCKET HOUSING PANEL MOUNT VERS. NECTOR* M-LINE	A 1-293606-4
	2	C	BLACK	SOCKET HOUSING PANEL MOUNT VERS. NECTOR* M-LINE	C 1-293606-3
	2	B	BLACK	SOCKET HOUSING PANEL MOUNT VERS. NECTOR* M-LINE	C 1-293606-2
	2	A	BLACK	SOCKET HOUSING PANEL MOUNT VERS. NECTOR* M-LINE	C 1-293606-1
OBSOLETE	1	D	NATURAL	SOCKET HOUSING PANEL MOUNT VERS. NECTOR* M-LINE	A 0-293606-4
	1	C	NATURAL	SOCKET HOUSING PANEL MOUNT VERS. NECTOR* M-LINE	C 0-293606-3
	1	B	NATURAL	SOCKET HOUSING PANEL MOUNT VERS. NECTOR* M-LINE	C 0-293606-2
	1	A	NATURAL	SOCKET HOUSING PANEL MOUNT VERS. NECTOR* M-LINE	C 0-293606-1

THIS DRAWING IS A CONTROLLED DOCUMENT.		DWN M. ZUCCA 06SEP2010	 TE Connectivity	
DIMENSIONS: mm		CHK M. ZUCCA 06SEP2010		
TOLERANCES UNLESS OTHERWISE SPECIFIED:		APVD G. TURCO 06SEP2010	NAME SOCKET HOUSING PANEL MOUNT VERSION NECTOR* M-LINE	
		PRODUCT SPEC 108-20304	RESTRICTED TO	
MATERIAL SEE NOTES		APPLICATION SPEC 114-20152	SIZE A3	CAGE CODE 00779
FINISH -		WEIGHT ~5.9 g	DRAWING NO C-293606	SCALE 2:1
		Customer Drawing	SHEET 2	OF 4
			REV C1	

THIS DRAWING IS UNPUBLISHED.

RELEASED FOR PUBLICATION

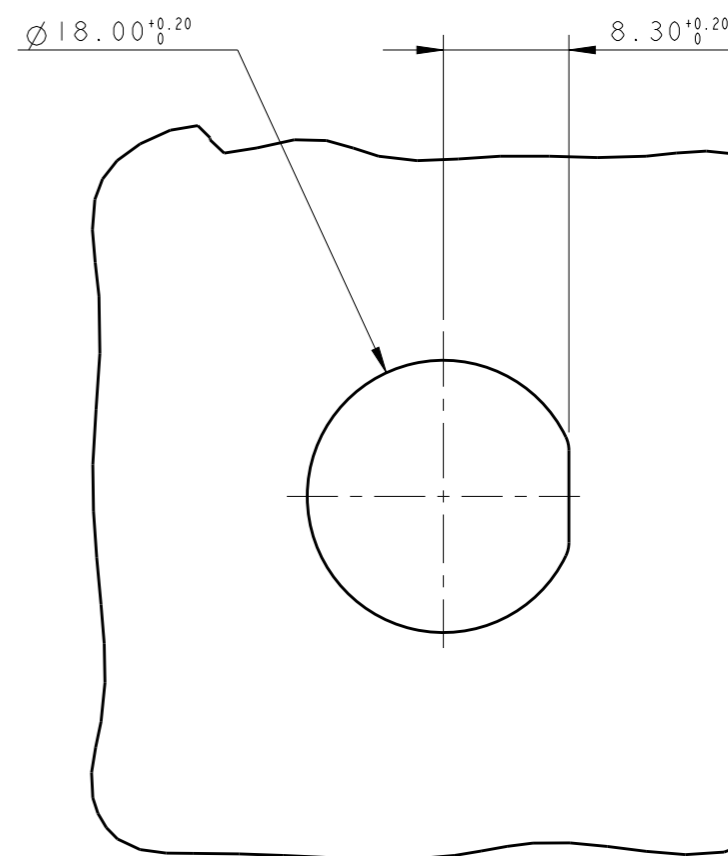
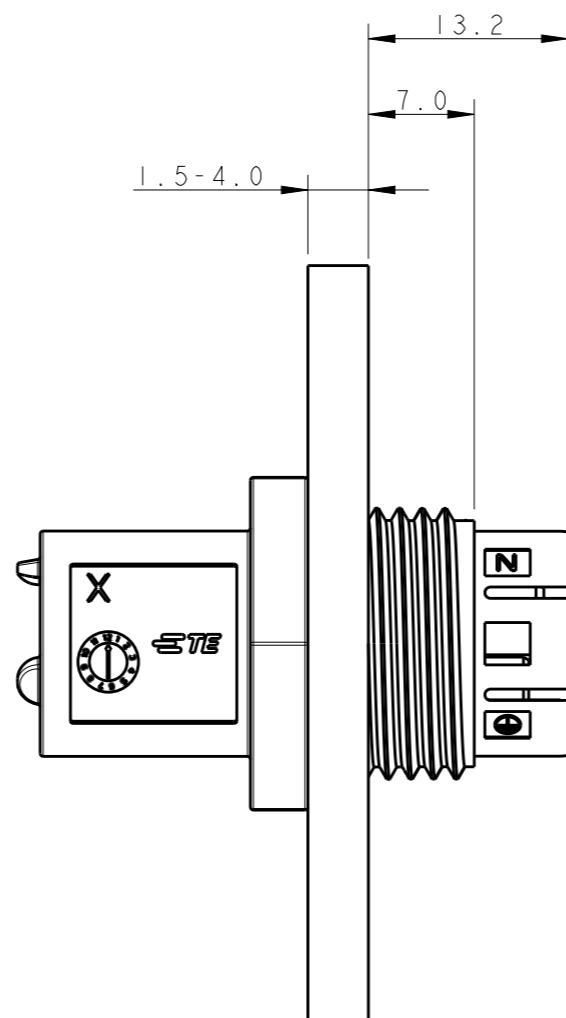
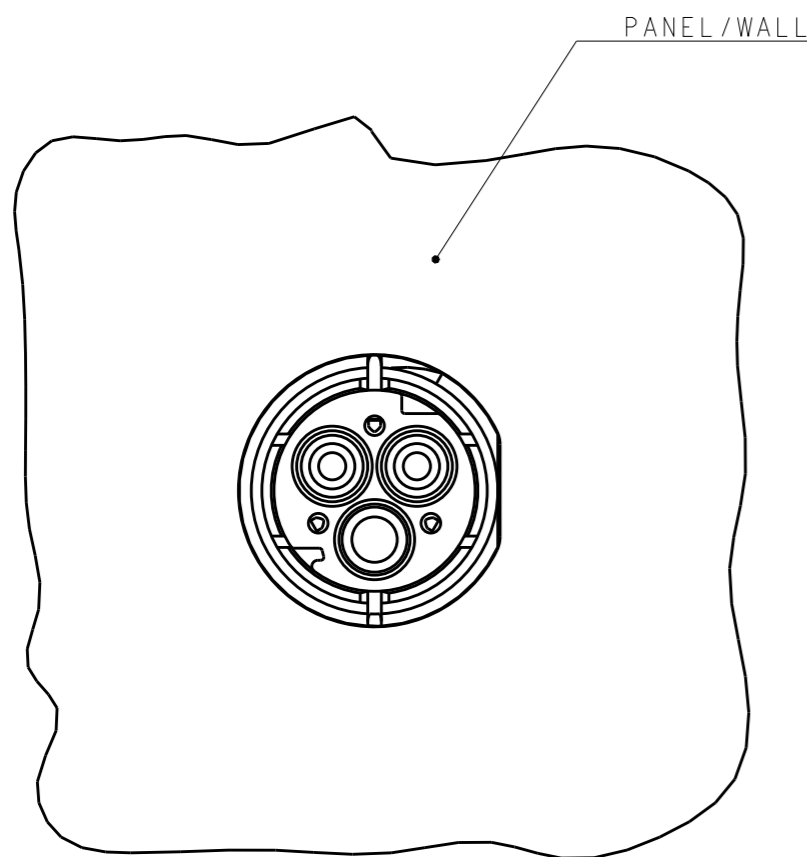
2011

© COPYRIGHT 2011 BY -

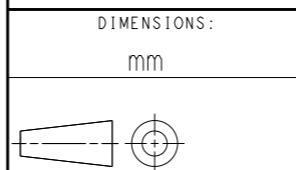
ALL RIGHTS RESERVED.

LOC	DIST	REVISIONS					
		P	LTR	DESCRIPTION	DATE	DWN	APVD
1	-	-	-	SEE SHEET 1	-	-	-

PANEL / WALL  
SUGGESTED CUT OUT



THIS DRAWING IS A CONTROLLED DOCUMENT.



MATERIAL SEE NOTES

DIMENSIONS:		TOLERANCES UNLESS OTHERWISE SPECIFIED:	
mm			
0 PLC	±-		
1 PLC	±0.3		
2 PLC	±0.20		
3 PLC	±-		
4 PLC	±-		
ANGLES	±3°		
FINISH	-		

DWN	M. ZUCCA	06SEP2010
CHK	M. ZUCCA	06SEP2010
APVD	G. TURCO	06SEP2010
PRODUCT SPEC	108-20304	
APPLICATION SPEC	114-20152	
WEIGHT	~5.9 g	

<b>STE</b> TE Connectivity			
NAME SOCKET HOUSING PANEL MOUNT VERSION NECTOR* M-LINE			
SIZE	CAGE CODE	DRAWING NO	RESTRICTED TO
A3	00779	C-293606	-

Customer Drawing	SCALE 2:1	SHEET 3 OF 4	REV C1
------------------	-----------	--------------	--------

THIS DRAWING IS UNPUBLISHED.

RELEASED FOR PUBLICATION

2011

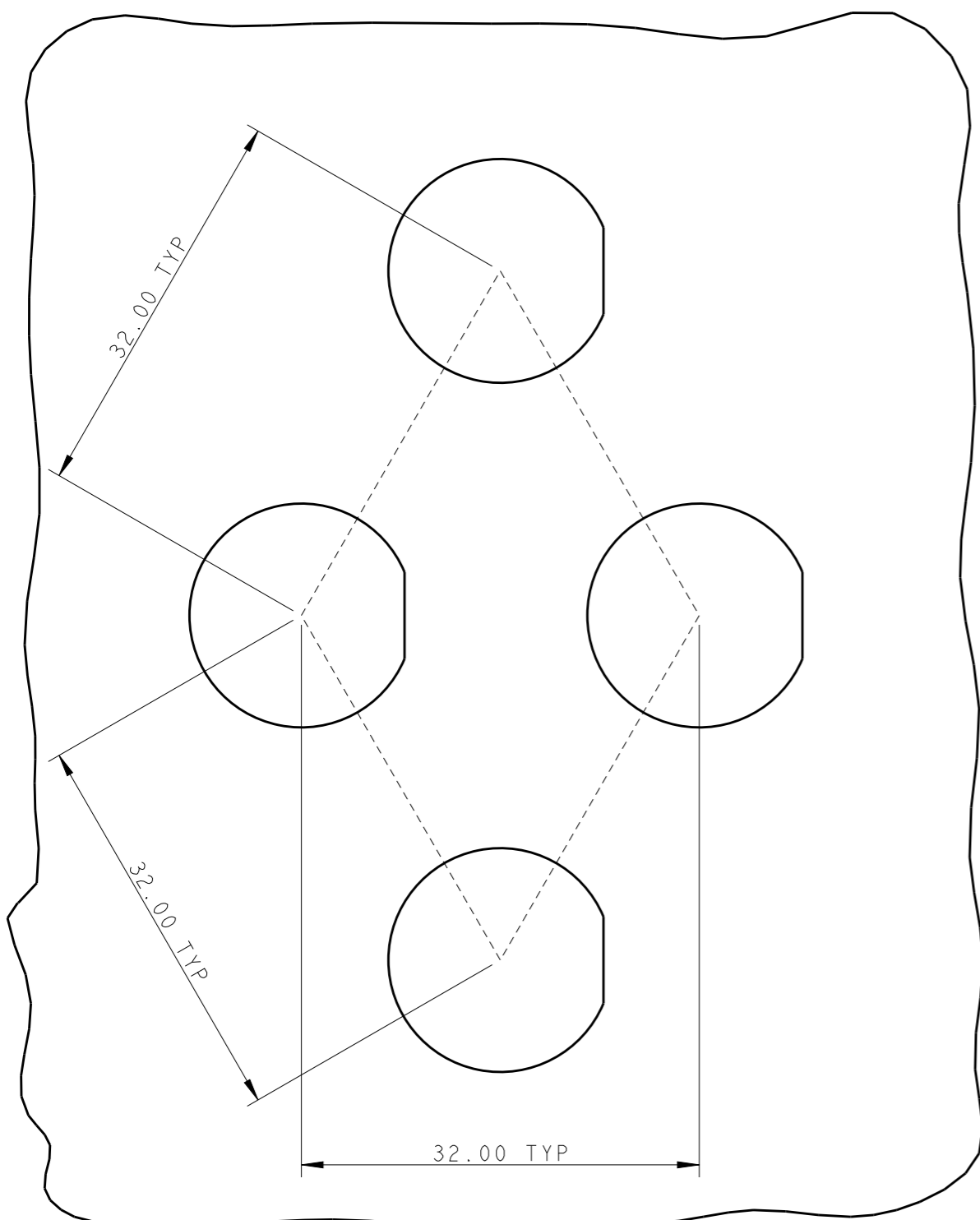
© COPYRIGHT 2011 BY -

ALL RIGHTS RESERVED.

LOC	DIST	REVISIONS			
P	LTR	DESCRIPTION	DATE	DWN	APVD
	-	SEE SHEET 1	-	-	-

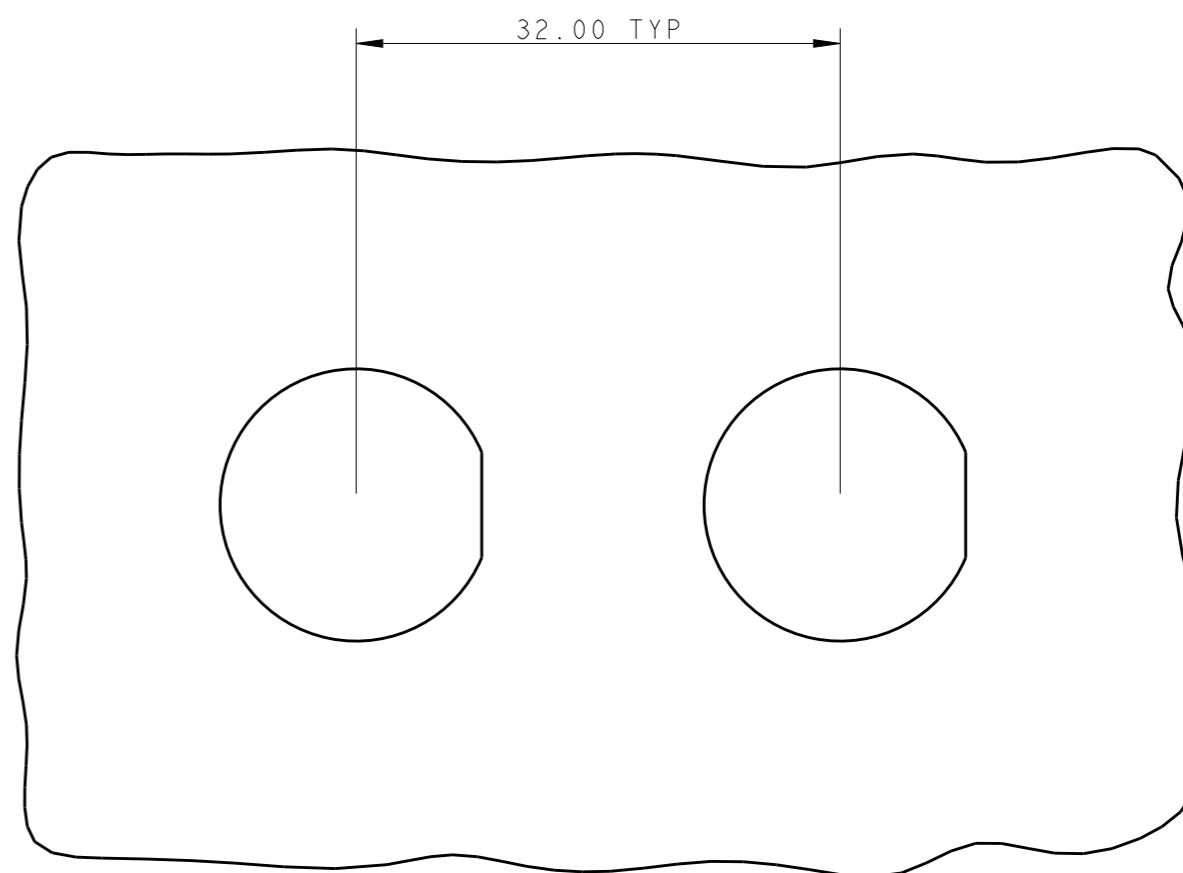
PANEL / WALL  
SUGGESTED CUT OUT FOR  
MULTIPLE HOLES ON MULTIPLE ROWS


(PITCH CAN BE ADJUSTED TO CUSTOMER  
 NEED BUT IN ANY CASE MUST NOT BE LESS  
 THAN 30.00 mm)



PANEL / WALL  
SUGGESTED CUT OUT FOR  
MULTIPLE HOLES ON SINGLE ROW

(PITCH CAN BE ADJUSTED TO CUSTOMER  
 NEED BUT IN ANY CASE MUST NOT BE LESS  
 THAN 30.00 mm)



THIS DRAWING IS A CONTROLLED DOCUMENT.		DWN M. ZUCCA	06SEP2010	 TE Connectivity	
DIMENSIONS: mm		CHK M. ZUCCA	06SEP2010		
TOLERANCES UNLESS OTHERWISE SPECIFIED:		APVD G. TURCO	06SEP2010	NAME SOCKET HOUSING PANEL MOUNT VERSION NECTOR* M-LINE	
0 PLC ±-		PRODUCT SPEC		SIZE	
1 PLC ±0.3		108-20304		CAGE CODE	
2 PLC ±0.20		APPLICATION SPEC		DRAWING NO	
3 PLC ±-		114-20152		RESTRICTED TO	
4 PLC ±-		WEIGHT		A300779	
ANGLES ±3°		~5.9 g		C-293606	
FINISH -		Customer Drawing		SCALE 2:1	
MATERIAL SEE NOTES				SHEET 4 OF 4	
				REV C1	

## X-ON Electronics

Largest Supplier of Electrical and Electronic Components

*Click to view similar products for [Lighting Connectors](#) category:*

*Click to view products by [TE Connectivity](#) manufacturer:*

Other Similar products are found below :

[293300-7](#) [293660-5](#) [CNX\\_H03\\_NTP](#) [30-9767-BU](#) [3605](#) [3-21030-1](#) [ZCH-110-RGB-I](#) [503471-0290](#) [ZCH-110-RGB-J](#) [217-0716-200](#)  
[1954563-1](#) [1-293657-2](#) [2834036-1](#) [2834037-1](#) [1-2213222-4](#) [2-2213222-4](#) [2213222-4](#) [2834122-3](#) [2834122-5](#) [2834135-2](#) [FLA-R4142-30](#)  
[FLA-R4162-30](#) [FLA-R2142-30](#) [FLA-R2141-30](#) [FLA-R2162-30](#) [FLA-R2161-30](#) [FLA-R0161-30](#) [FLA-R0141-30](#) [FLA-R0142-30](#) [FLA-](#)  
[R0162-30](#) [FLA-C00-00](#) [DGA00010553](#) [CNXV04NTP](#) [104128-0610](#) [503485-0000 \(Cut Strip\)](#) [503485-0000 \(Loose Piece\)](#) [503485-0000](#)  
[\(MINI Reel\)](#) [1-2834074-2](#) [1-2834074-3](#) [1357-AC PLUG W2C \(CHINA\)](#) [1357-AC PLUG W2 \(USA\)](#) [104266-0110](#) [2106212-1](#) [2-2834074-2](#)  
[104266-0210](#) [293470-1](#) [293651-2](#) [293651-4](#) [1-2834006-2](#) [293651-1](#)