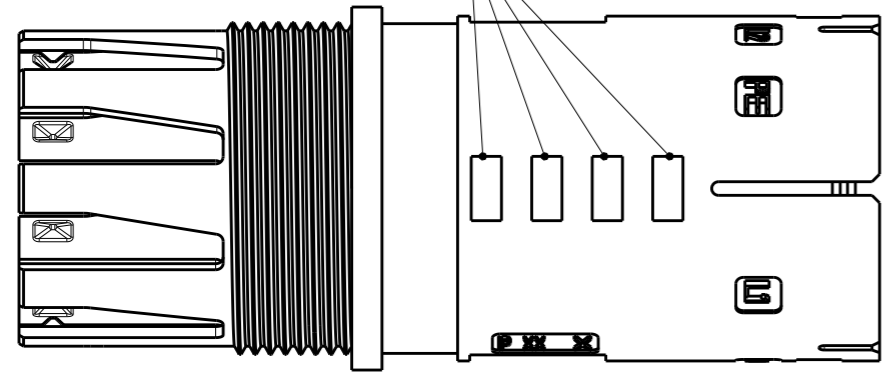
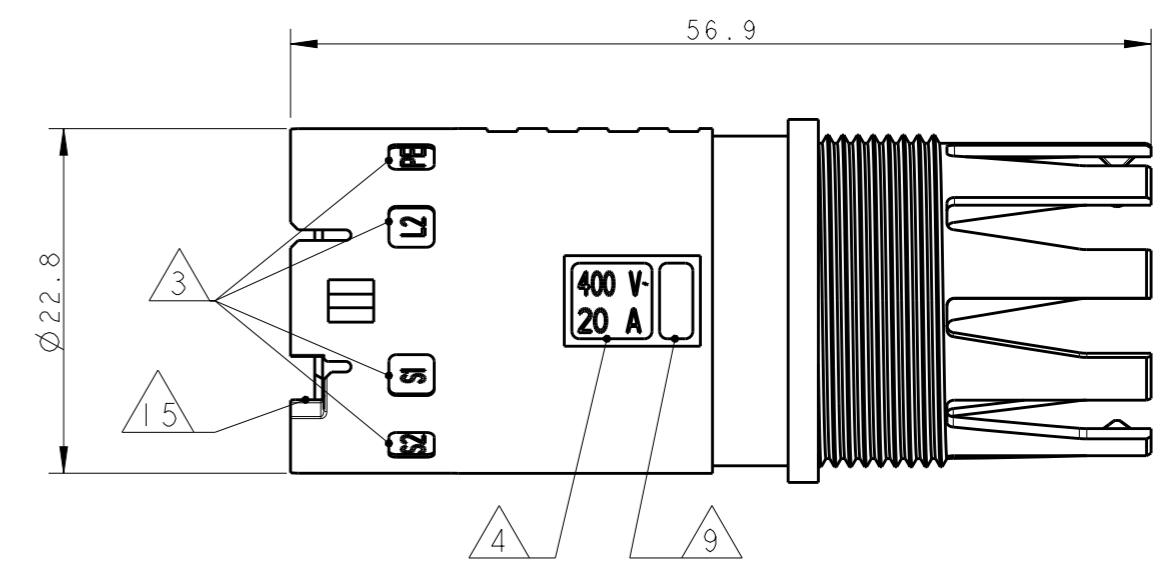
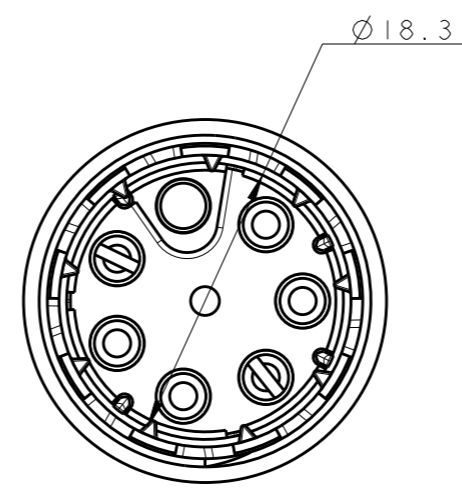
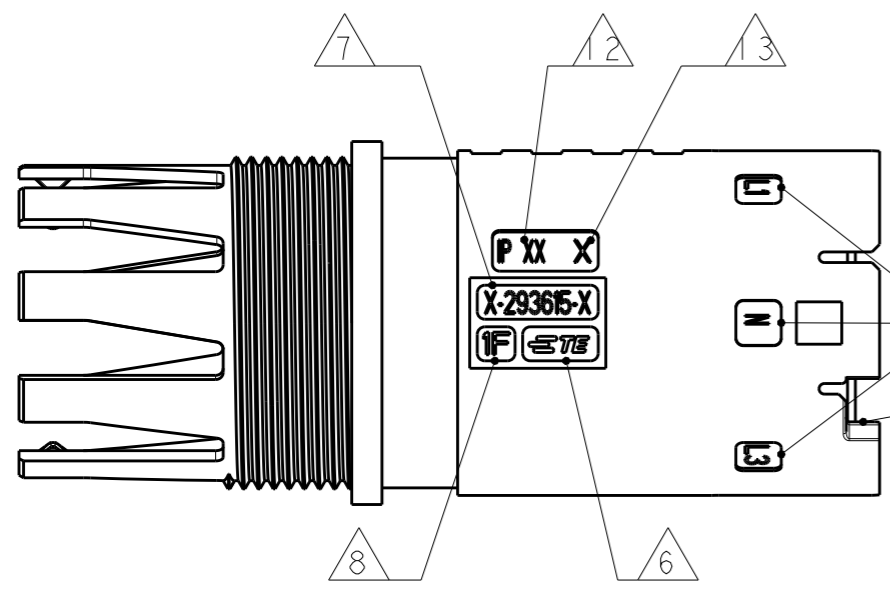


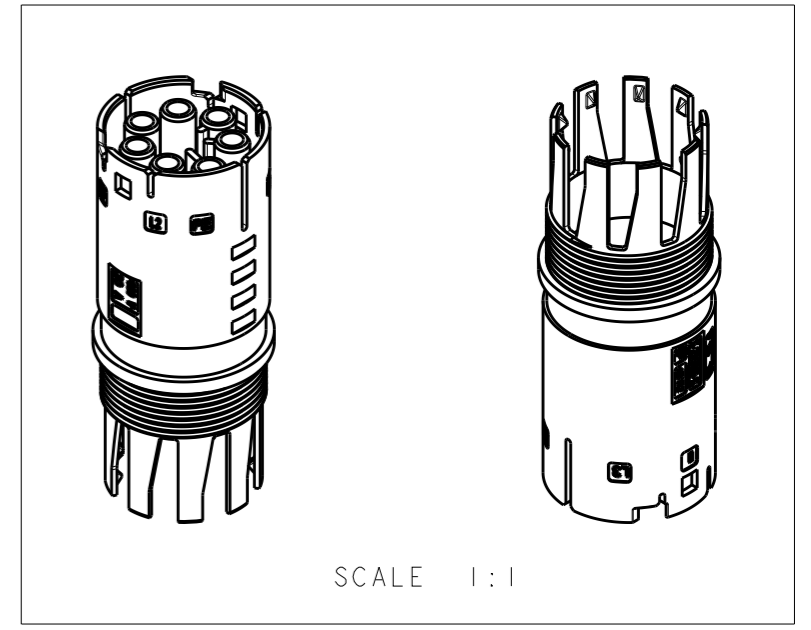
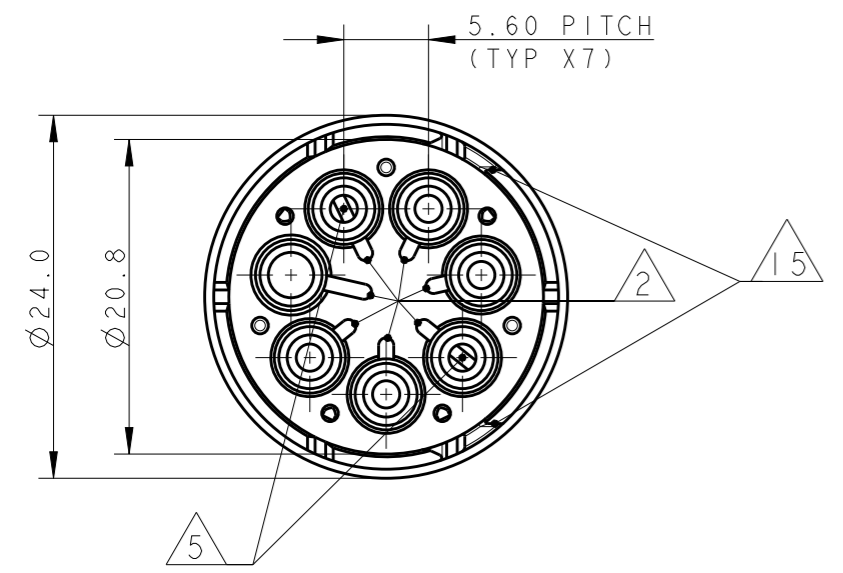
THIS DRAWING IS UNPUBLISHED. RELEASED FOR PUBLICATION 2011
 © COPYRIGHT 2011 ALL RIGHTS RESERVED.

LOC	DIST	REVISIONS					
		P	LTR	DESCRIPTION	DATE	DWN	APVD
1	-		5	UPDATED	18JUL2013	MZ	JC
			A	PARTS RELEASED FOR PRODUCTION	12NOV2013	MZ	JC
			A1	ECR-18-006945	30MAY2018	SR	MZ



NOTES:

- 1 MATERIAL: PA GF (NATURAL AND BLACK COLOUR)
 - 2 ALL POLARIZATION KEYS SHOWN FOR REF ONLY
 - 3 WAYS I.D.
 - 4 VOLTAGE AND CURRENT RATINGS
 - 5 RIB CLOSING CAVITIES BY CHANGE OVER
 - 6 TE LOGO
 - 7 TE PART NUMBER
 - 8 DATA CODE
 - 9 AREA FOR AGENCIES APPROVAL LOGO
 - 10 VISUAL INDOCATOR FOR PE CONDUCTOR
- 11) SEE C-DRAWING 293682 (LOCKING CAP) TO GET IP 40
- 12 IP CODE
 - 13 CAVITY I.D.
 - 14 POLARISATION KEY "TYPE D" SUITABLE FOR DALI APPLICATION
 - 15 SLOTS TO ALLOW DELATCHING OPERATION. FOR DELATCHING TOOL AND OPERATION REFER TO APPLICATION SPEC.



THIS DRAWING IS A CONTROLLED DOCUMENT.		DWN M. ZUCCA 31MAR2011	 TE Connectivity	
DIMENSIONS: mm		CHK M. ZUCCA 31MAR2011		
TOLERANCES UNLESS OTHERWISE SPECIFIED:		APVD G. TURCO 31MAR2011		
0 PLC ±- 1 PLC ±0.3 2 PLC ±0.20 3 PLC ±- 4 PLC ±- ANGLES ±3°		PRODUCT SPEC -		
MATERIAL NOTE 1		FINISH -	NAME SOCKET HOUSING FREE HANGING NECTOR M-LINE 5 POLES UNSEALED VERSION	
		Customer Drawing	SIZE A3	CAGE CODE 00779
			DRAWING NO C-293615	RESTRICTED TO -
			SCALE 2:1	SHEET 1 OF 2
				REV A1

THIS DRAWING IS UNPUBLISHED.

RELEASED FOR PUBLICATION

2011

© COPYRIGHT 2011

ALL RIGHTS RESERVED.

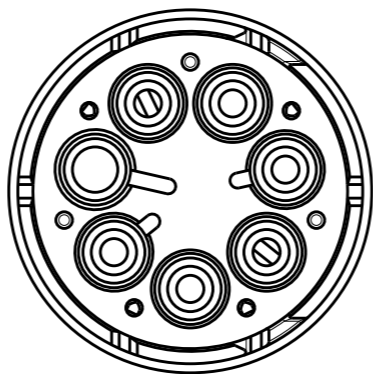
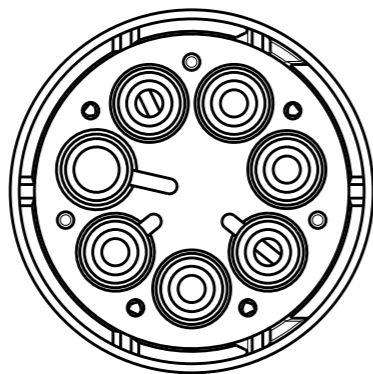
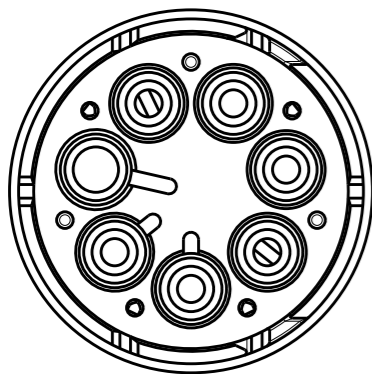
LOC	DIST	REVISIONS					
		P	LTR	DESCRIPTION	DATE	DWN	APVD
1	-	-	-	SEE SHEET 1	-	-	-

POLARIZATION TYPES

POLARIZATION TYPE "A"

POLARIZATION TYPE "B"

POLARIZATION TYPE "C"



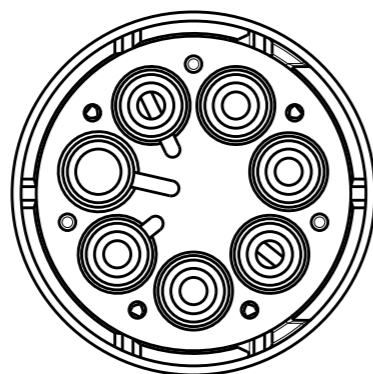
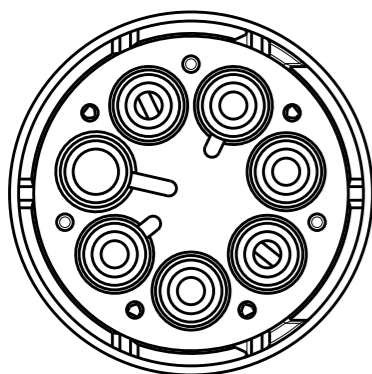
PNs 0-293615-1
AND 1-293615-1

PNs 0-293615-2
AND 1-293615-2

PNs 0-293615-3
AND 1-293615-3

POLARIZATION TYPE "D"

POLARIZATION TYPE "E"



~~PNs 0-293615-4
AND 1-293615-4~~

~~PNs 0-293615-5
AND 1-293615-5~~

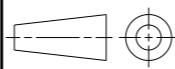
OBSOLETE		E	BLACK	SOCKET HOUSING FREE HANG. NECTOR* M-LINE 5 POLES	A	1-293615-5
		D	BLACK	SOCKET HOUSING FREE HANG. NECTOR* M-LINE 5 POLES	A	1-293615-4
		C	BLACK	SOCKET HOUSING FREE HANG. NECTOR* M-LINE 5 POLES	A	1-293615-3
		B	BLACK	SOCKET HOUSING FREE HANG. NECTOR* M-LINE 5 POLES	A	1-293615-2
		A	BLACK	SOCKET HOUSING FREE HANG. NECTOR* M-LINE 5 POLES	A	1-293615-1
OBSOLETE		E	NATURAL	SOCKET HOUSING FREE HANG. NECTOR* M-LINE 5 POLES	A	0-293615-5
		D	NATURAL	SOCKET HOUSING FREE HANG. NECTOR* M-LINE 5 POLES	A	0-293615-4
		C	NATURAL	SOCKET HOUSING FREE HANG. NECTOR* M-LINE 5 POLES	A	0-293615-3
		B	NATURAL	SOCKET HOUSING FREE HANG. NECTOR* M-LINE 5 POLES	A	0-293615-2
		A	NATURAL	SOCKET HOUSING FREE HANG. NECTOR* M-LINE 5 POLES	A	0-293615-1
NOTE		POL. KEYING	COLOUR	DESCRIPTION	REV.	PART NUMBER

THIS DRAWING IS A CONTROLLED DOCUMENT.

DWN M. ZUCCA 31MAR2011
 CHK M. ZUCCA 31MAR2011
 APVD G. TURCO 31MAR2011



DIMENSIONS:
mm



TOLERANCES UNLESS OTHERWISE SPECIFIED:

0 PLC ±
 1 PLC ±0.3
 2 PLC ±0.20
 3 PLC ±
 4 PLC ±
 ANGLES ±3°

MATERIAL NOTE 1

FINISH -

PRODUCT SPEC

APPLICATION SPEC

WEIGHT

NAME
 SOCKET HOUSING FREE HANGING
 NECTOR M-LINE 5 POLES
 UNSEALED VERSION

SIZE CAGE CODE DRAWING NO RESTRICTED TO

A300779 C-293615

Customer Drawing

SCALE 2:1 SHEET 2 OF 2 REV A1

X-ON Electronics

Largest Supplier of Electrical and Electronic Components

Click to view similar products for [Lighting Connectors](#) category:

Click to view products by [TE Connectivity](#) manufacturer:

Other Similar products are found below :

[293300-7](#) [293660-5](#) [CNX_H03_NTP](#) [30-9767-BU](#) [3605](#) [3-21030-1](#) [ZCH-110-RGB-I](#) [503471-0290](#) [ZCH-110-RGB-J](#) [217-0716-200](#)
[1954563-1](#) [1-293657-2](#) [2834036-1](#) [2834037-1](#) [1-2213222-4](#) [2-2213222-4](#) [2213222-4](#) [2834122-3](#) [2834122-5](#) [2834135-2](#) [FLA-R4142-30](#)
[FLA-R4162-30](#) [FLA-R2142-30](#) [FLA-R2141-30](#) [FLA-R2162-30](#) [FLA-R2161-30](#) [FLA-R0161-30](#) [FLA-R0141-30](#) [FLA-R0142-30](#) [FLA-](#)
[R0162-30](#) [FLA-C00-00](#) [DGA00010553](#) [CNXV04NTP](#) [104128-0610](#) [503485-0000 \(Cut Strip\)](#) [503485-0000 \(Loose Piece\)](#) [503485-0000](#)
[\(MINI Reel\)](#) [1-2834074-2](#) [1-2834074-3](#) [1357-AC PLUG W2C \(CHINA\)](#) [1357-AC PLUG W2 \(USA\)](#) [104266-0110](#) [CNXV02NTP](#) [2106212-1](#)
[2-2834074-2](#) [104266-0210](#) [293470-1](#) [293651-2](#) [293651-4](#) [1-2834006-2](#)