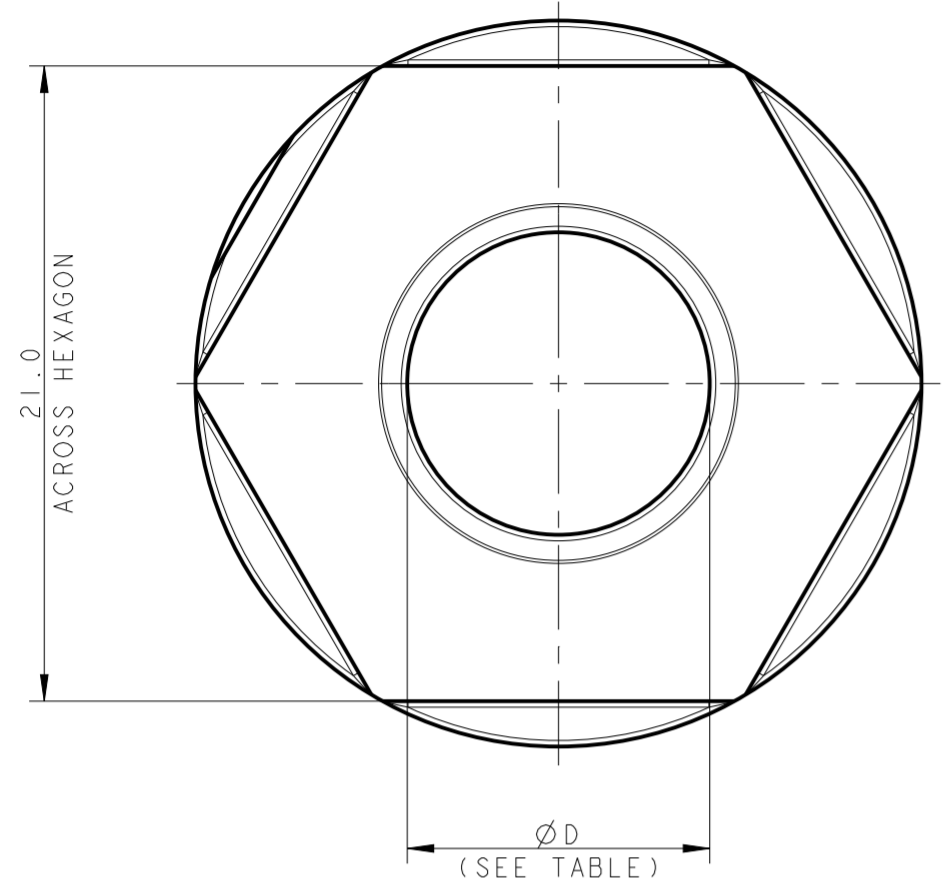
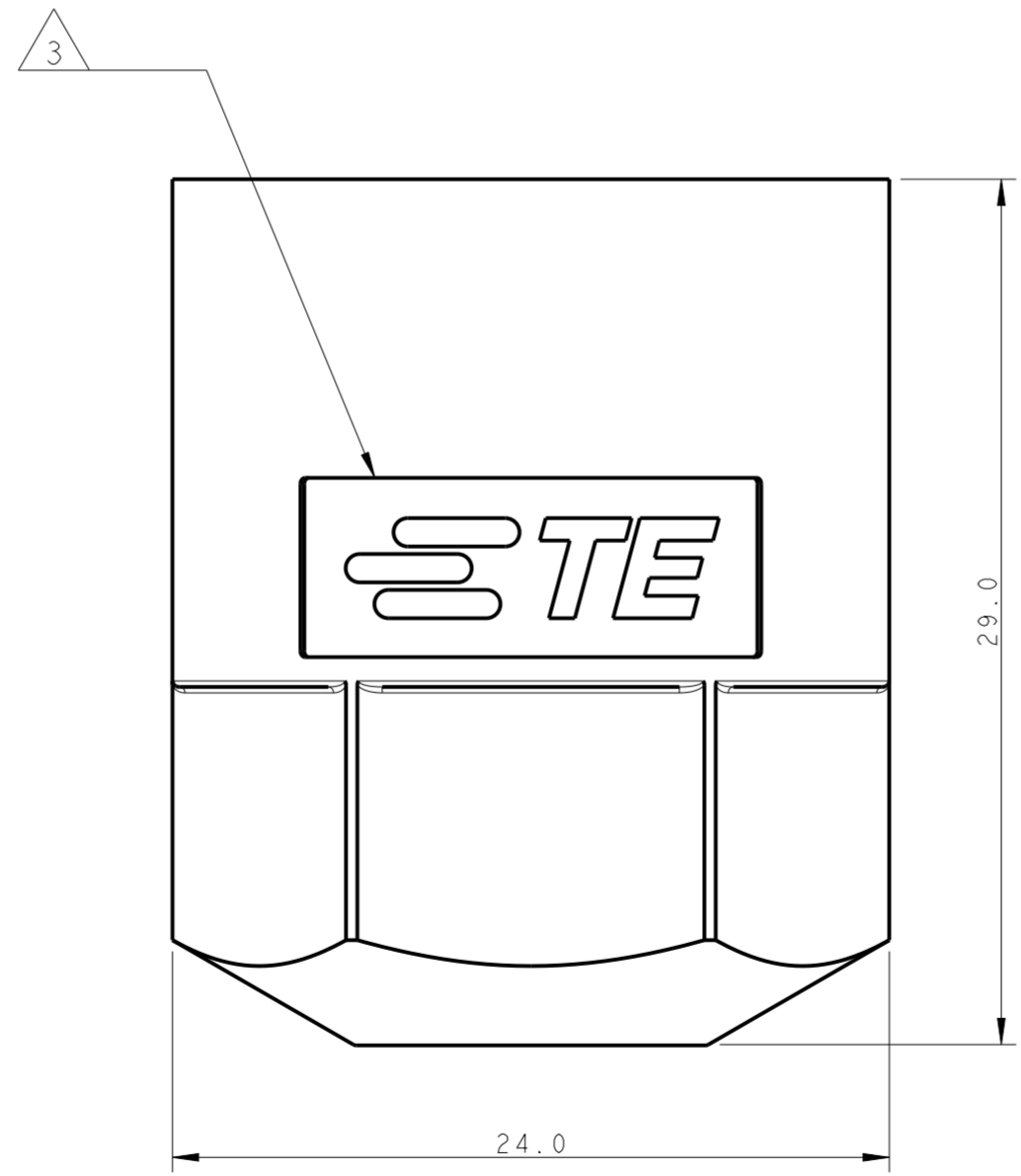
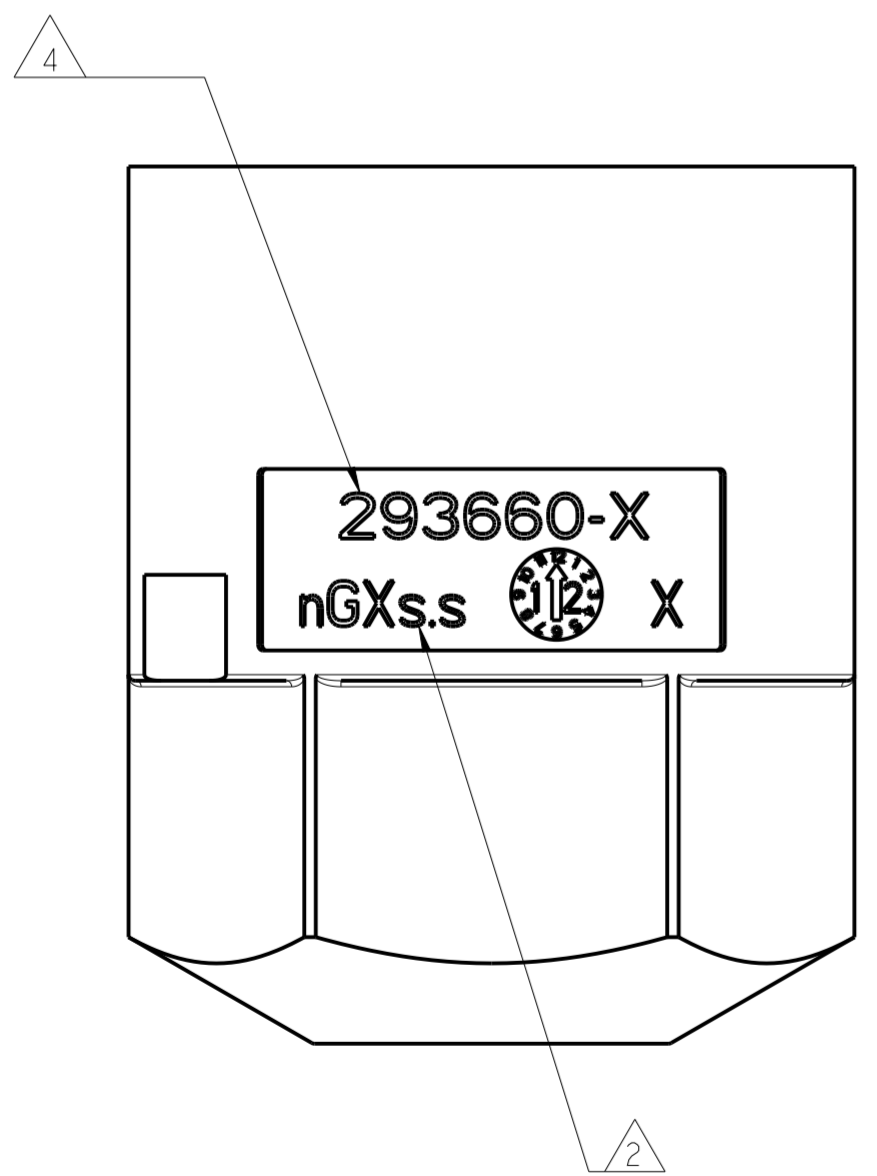
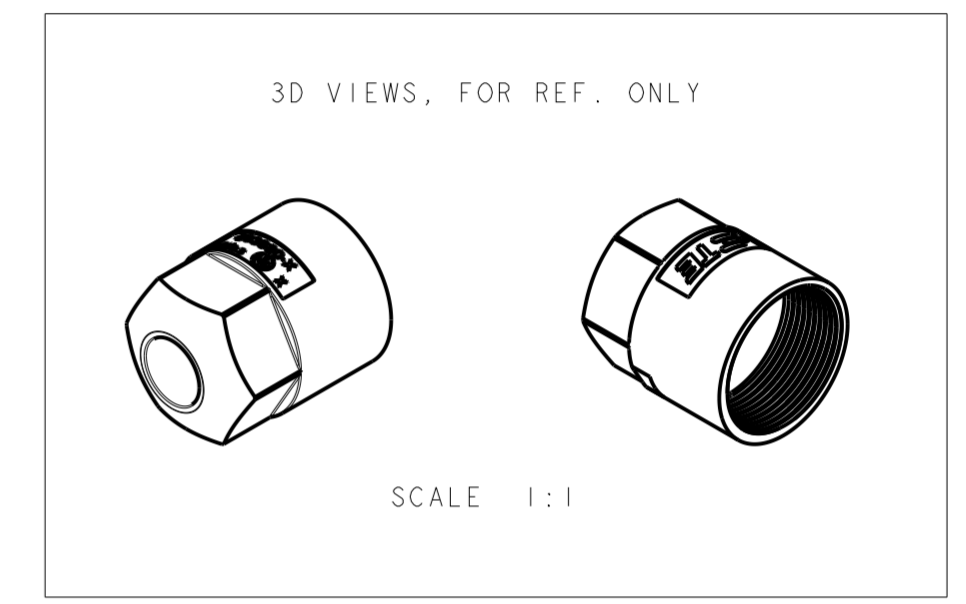


THIS DRAWING IS UNPUBLISHED. RELEASED FOR PUBLICATION 2011
 © COPYRIGHT 2011 Tyco Electronics AMP GmbH ALL RIGHTS RESERVED.

LOC	DIST	REVISIONS			
P	LTR	DESCRIPTION	DATE	DWN	APVD
		A2	REVISED	18MAR2013	DC JC
		A3	RELEASED 293660-3, -5, -6	30SEP2013	DC JC
		A4	RELEASED 1-293660-1, -2, -3, -5, -6	28FEB2014	KR JC
		A5	RELEASED 293660-4, 1-4	05MAR2014	KR JC



- 1 MATERIAL: PA GF (NATURAL AND BLACK COLOUR)
- 2 NUMBER OF CABLE CORES (n) AND CONDUCTORS SIZE (s.s)
- 3 AREA FOR TE LOGO
- 4 AREA FOR TE P/N



NOTE	DIM "D" NOM.	CABLE OUTSIDE Ø	CABLE TYPE	CONDUCTOR NR. & SIZE (sqmm)	COLOUR	PART NO.	REV.
1	11.30	10.45±0.75	H05VV5-F	5GX1.5	BLACK	1-293660-6	A
1	15.60	14.75±0.75	H05VV5-F	7GX2.5	BLACK	1-293660-5	A
1	7.90	7.60±0.10	RZ1-LSF-OH	-	BLACK	1-293660-4	A
1	13.50	12.65±0.75	H05VV5-F	5GX2.5 7GX1.5	BLACK	1-293660-3	A
1	11.40	11.10±0.10	RZ1-LSF-OH	6GX2.5	BLACK	1-293660-2	A
1	10.00	9.70±0.10	RZ1-LSF-OH	6GX1.5	BLACK	1-293660-1	A
1	11.30	10.45±0.75	H05VV5-F	5GX1.5	NATURAL	293660-6	A
1	15.60	14.75±0.75	H05VV5-F	7GX2.5	NATURAL	293660-5	A
1	7.90	7.60±0.10	RZ1-LSF-OH	-	NATURAL	293660-4	A
1	13.50	12.65±0.75	H05VV5-F	5GX2.5 7GX1.5	NATURAL	293660-3	A
1	11.40	11.10±0.10	RZ1-LSF-OH	6GX2.5	NATURAL	293660-2	A
1	10.00	9.70±0.10	RZ1-LSF-OH	6GX1.5	NATURAL	293660-1	A

THIS DRAWING IS A CONTROLLED DOCUMENT.

DIMENSIONS: mm	TOLERANCES UNLESS OTHERWISE SPECIFIED: 0 PLC ± 1 PLC ±0.3 2 PLC ±0.2 3 PLC ± 4 PLC ± ANGLES ±3° FINISH	DWN A. BERNARDI 21 JAN 2011 CHK U. AIME 21 JAN 2011 APVD G. TURCO 21 JAN 2011	NAME RING NUT FOR CABLE RETENTION (5,6,7 POLES) NECTOR M-LINE UNSEALED VERSION
MATERIAL	SEE NOTES	PRODUCT SPEC 108-20324 APPLICATION SPEC 114-20169 WEIGHT -	SIZE A2 CAGE CODE 07779 DRAWING NO C-293660

Customer Drawing SCALE 4:1 SHEET 1 OF 1 REV A5

X-ON Electronics

Largest Supplier of Electrical and Electronic Components

Click to view similar products for [Lighting Connectors](#) category:

Click to view products by [TE Connectivity](#) manufacturer:

Other Similar products are found below :

[293300-7](#) [293660-5](#) [CNX_H03_NTP](#) [30-9767-BU](#) [3605](#) [3-21030-1](#) [ZCH-110-RGB-I](#) [503471-0290](#) [ZCH-110-RGB-J](#) [217-0716-200](#)
[1954563-1](#) [1-293657-2](#) [2834036-1](#) [2834037-1](#) [1-2213222-4](#) [2-2213222-4](#) [2213222-4](#) [2834122-3](#) [2834122-5](#) [2834135-2](#) [FLA-R4142-30](#)
[FLA-R4162-30](#) [FLA-R2142-30](#) [FLA-R2141-30](#) [FLA-R2162-30](#) [FLA-R2161-30](#) [FLA-R0161-30](#) [FLA-R0141-30](#) [FLA-R0142-30](#) [FLA-](#)
[R0162-30](#) [FLA-C00-00](#) [DGA00010553](#) [CNXV04NTP](#) [104128-0610](#) [503485-0000 \(Cut Strip\)](#) [503485-0000 \(Loose Piece\)](#) [503485-0000](#)
[\(MINI Reel\)](#) [1-2834074-2](#) [1-2834074-3](#) [1357-AC PLUG W2C \(CHINA\)](#) [1357-AC PLUG W2 \(USA\)](#) [104266-0110](#) [2106212-1](#) [2-2834074-2](#)
[104266-0210](#) [293470-1](#) [293651-2](#) [293651-4](#) [1-2834006-2](#) [293651-1](#)