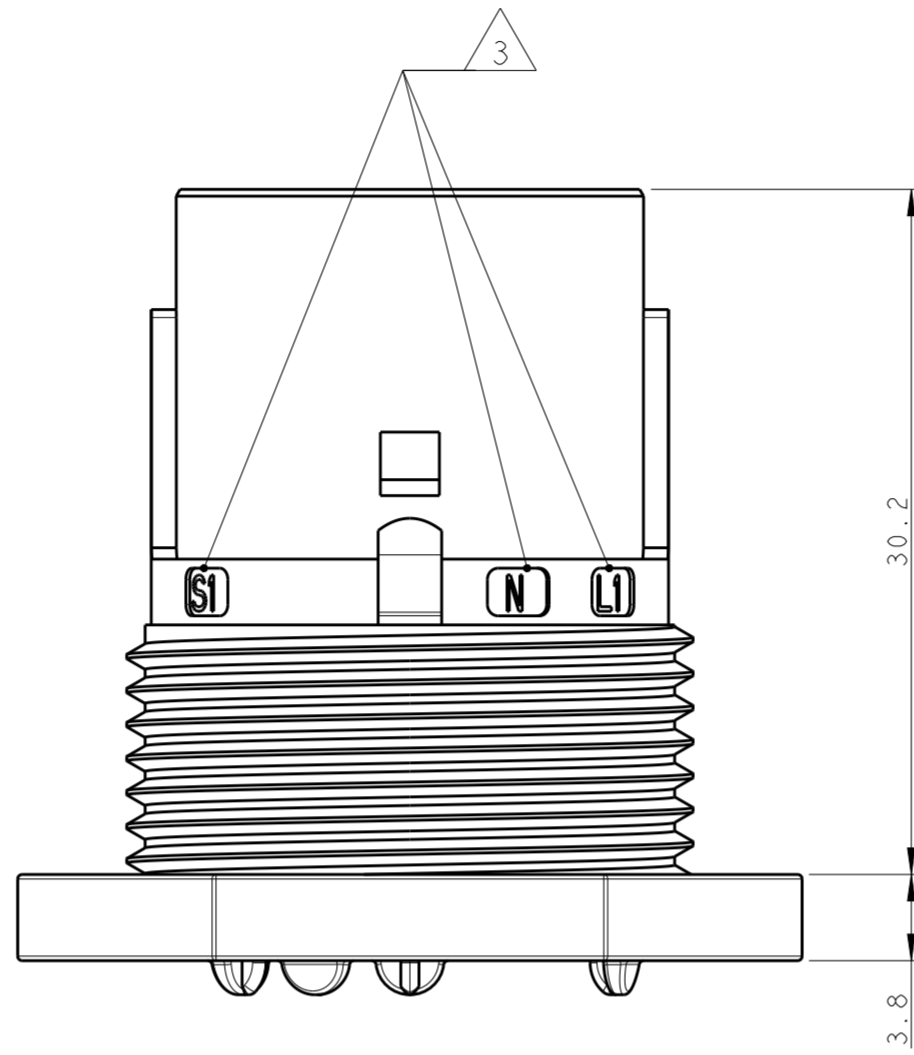
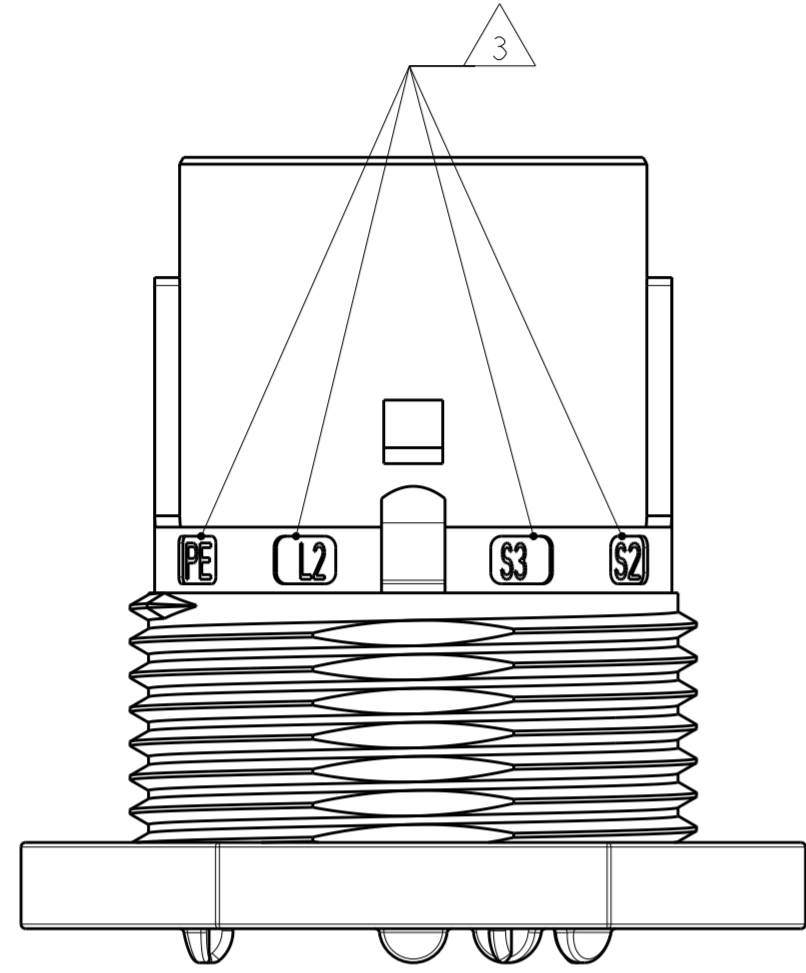


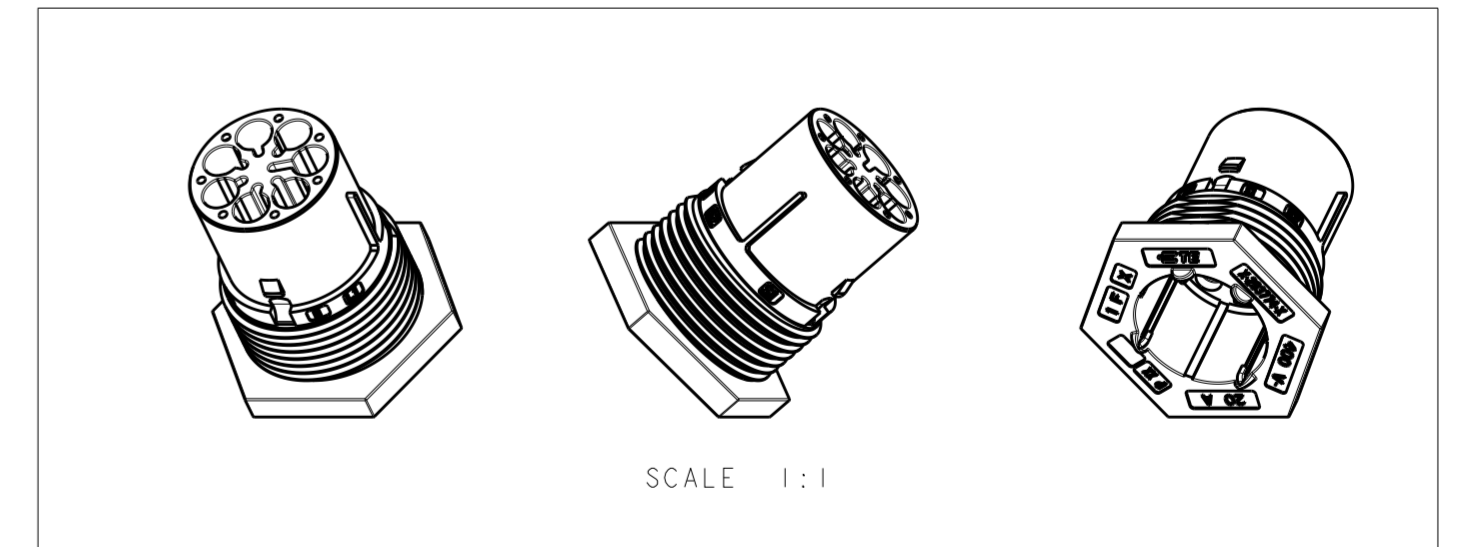
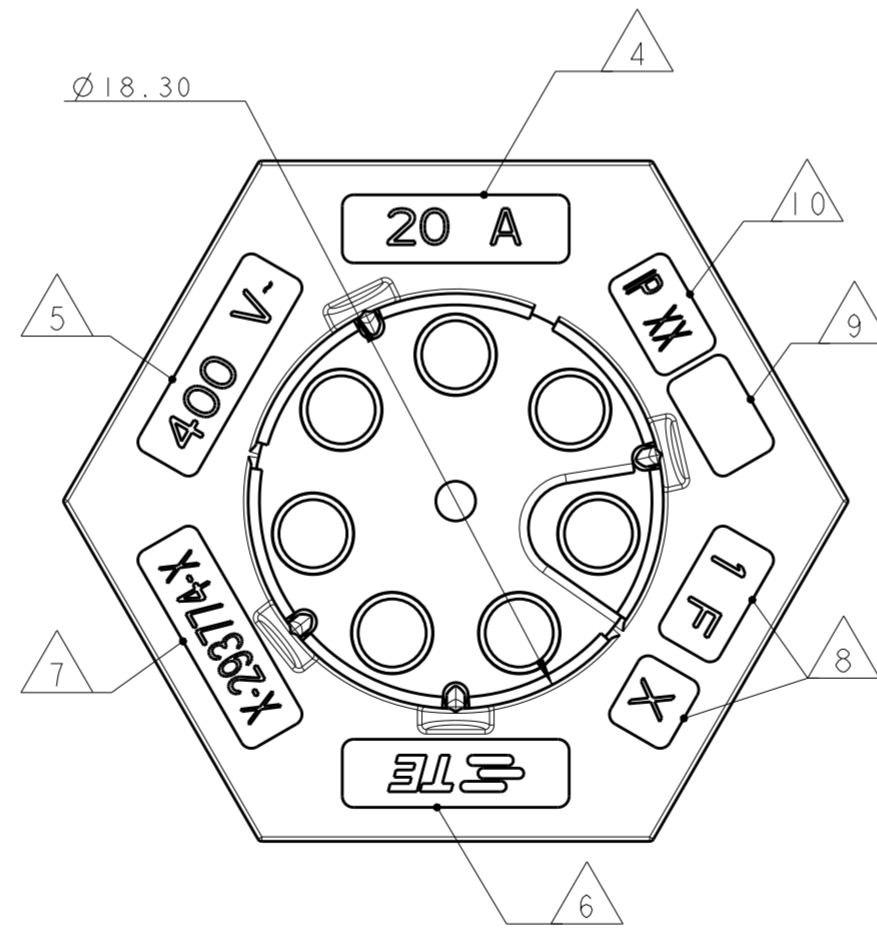
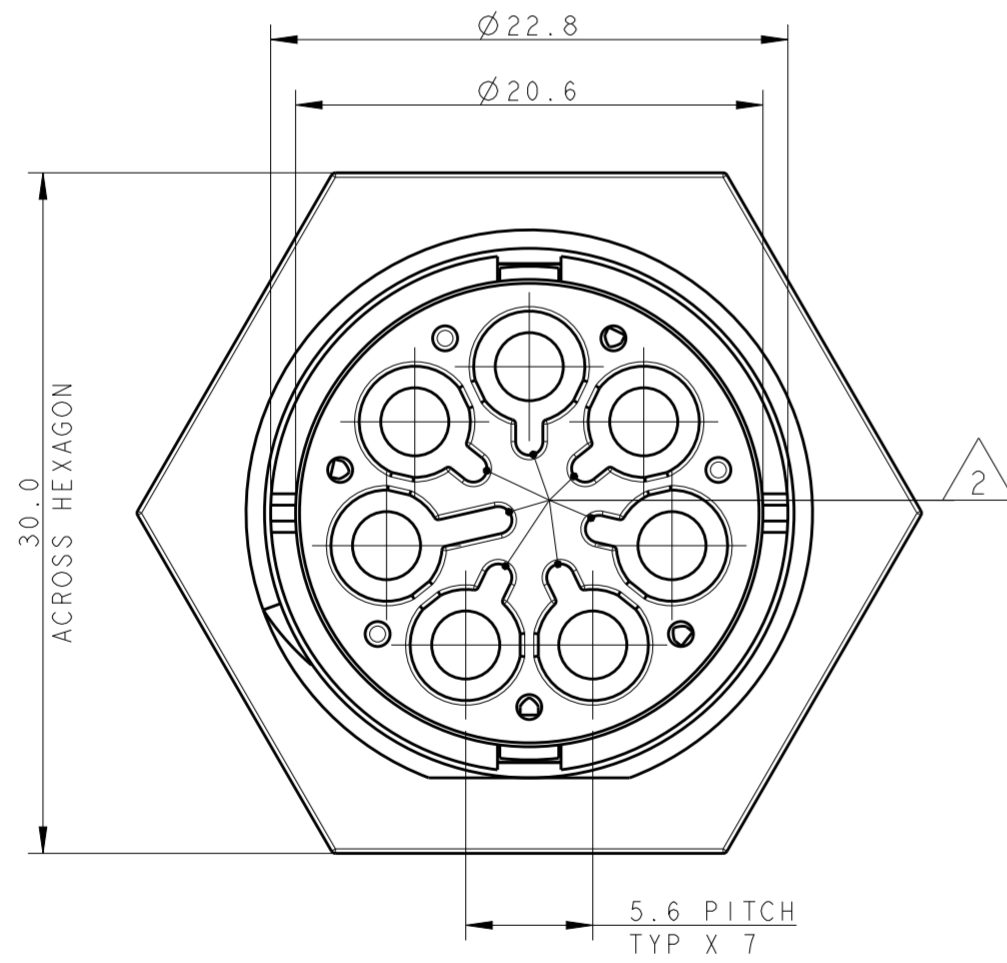
THIS DRAWING IS UNPUBLISHED. RELEASED FOR PUBLICATION 2011  
 © COPYRIGHT 2011 BY - ALL RIGHTS RESERVED.


LOC		DIST		REVISIONS			
P	LTR	DESCRIPTION	DATE	DWN	APVD		
	3	UPDATED	22JUL2013	MZ	JC		
	4	REVISED LATCH SHAPE	02AUG2013	KR	JC		
	A	PARTS RELEASED FOR PRODUCTION	14NOV2013	MZ	JC		
	AI	REVISED PER ECR-18-006945	30MAY2018	NG	MZ		



NOTES:

- 1 MATERIAL: PA GF (NATURAL AND BLACK COLOUR)
- 2 ALL POLARIZATION KEYS SHOWN FOR REF ONLY
- 3 WAYS I.D.
- 4 CURRENT RATING
- 5 VOLTAGE RATING
- 6 TE LOGO
- 7 TE PART NUMBER
- 8 DATA CODE AND CAVITY I.D.
- 9 AREA FOR AGENCIES APPROVAL LOGO
- 10 IP CODE



THIS DRAWING IS A CONTROLLED DOCUMENT.		DWN 31MAR2011 A. BERNARDI	 TE Connectivity	
DIMENSIONS: mm		CHK 31MAR2011 M. ZUCCA		
TOLERANCES UNLESS OTHERWISE SPECIFIED:		APVD 31MAR2011 G. TURCO	PRODUCT SPEC	SIZE
0 PLC ±	1 PLC ±0.3	APPLICATION SPEC	-	CAGE CODE
2 PLC ±0.20	3 PLC ±	WEIGHT	-	DRAWING NO
4 PLC ±	ANGLES ±3°	Customer Drawing	-	A20779C-293774
FINISH		SCALE 3:1	SHEET 1 OF 3	REV A1

THIS DRAWING IS UNPUBLISHED. RELEASED FOR PUBLICATION 2011  
 © COPYRIGHT 2011 BY - ALL RIGHTS RESERVED.

LOC		DIST		REVISIONS			
P	LTR	DESCRIPTION	DATE	DWN	APVD		
-	-	SEE SHEET 1	-	-	-		

### POLARIZATION TYPES

POLARIZATION TYPE "A"	POLARIZATION TYPE "B"	POLARIZATION TYPE "C"
PNs 0-293774-1 AND 1-293774-1	PNs 0-293774-2 AND 1-293774-2	PNs 0-293774-3 AND 1-293774-3
POLARIZATION TYPE "D"	POLARIZATION TYPE "E"	
PNs <del>0-293774-4</del> AND <del>1-293774-4</del>	PNs <del>0-293774-5</del> AND <del>1-293774-5</del>	

**TABLE 1**

NOTE	POL. KEYING	COLOUR	DESCRIPTION	REV.	P/N
			PIN HSG 7 POLE PANEL MOUNT NECTOR* M-LINE	A	<del>1-293774-5</del>
			PIN HSG 7 POLE PANEL MOUNT NECTOR* M-LINE	A	<del>1-293774-4</del>
			PIN HSG 7 POLE PANEL MOUNT NECTOR* M-LINE	A	1-293774-3
			PIN HSG 7 POLE PANEL MOUNT NECTOR* M-LINE	A	1-293774-2
			PIN HSG 7 POLE PANEL MOUNT NECTOR* M-LINE	A	1-293774-1
			PIN HSG 7 POLE PANEL MOUNT NECTOR* M-LINE	A	<del>0-293774-5</del>
			PIN HSG 7 POLE PANEL MOUNT NECTOR* M-LINE	A	<del>0-293774-4</del>
			PIN HSG 7 POLE PANEL MOUNT NECTOR* M-LINE	A	0-293774-3
			PIN HSG 7 POLE PANEL MOUNT NECTOR* M-LINE	A	0-293774-2
			PIN HSG 7 POLE PANEL MOUNT NECTOR* M-LINE	A	0-293774-1

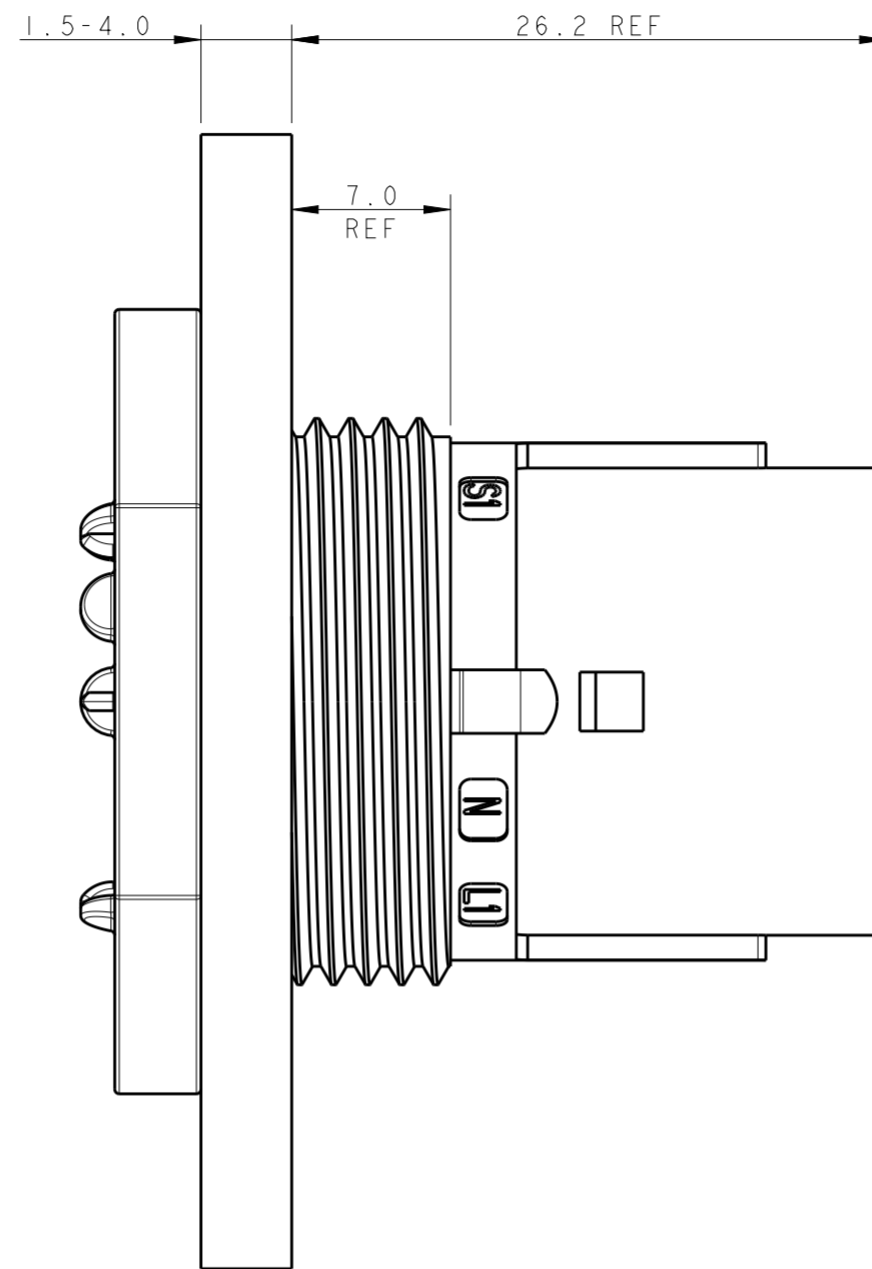
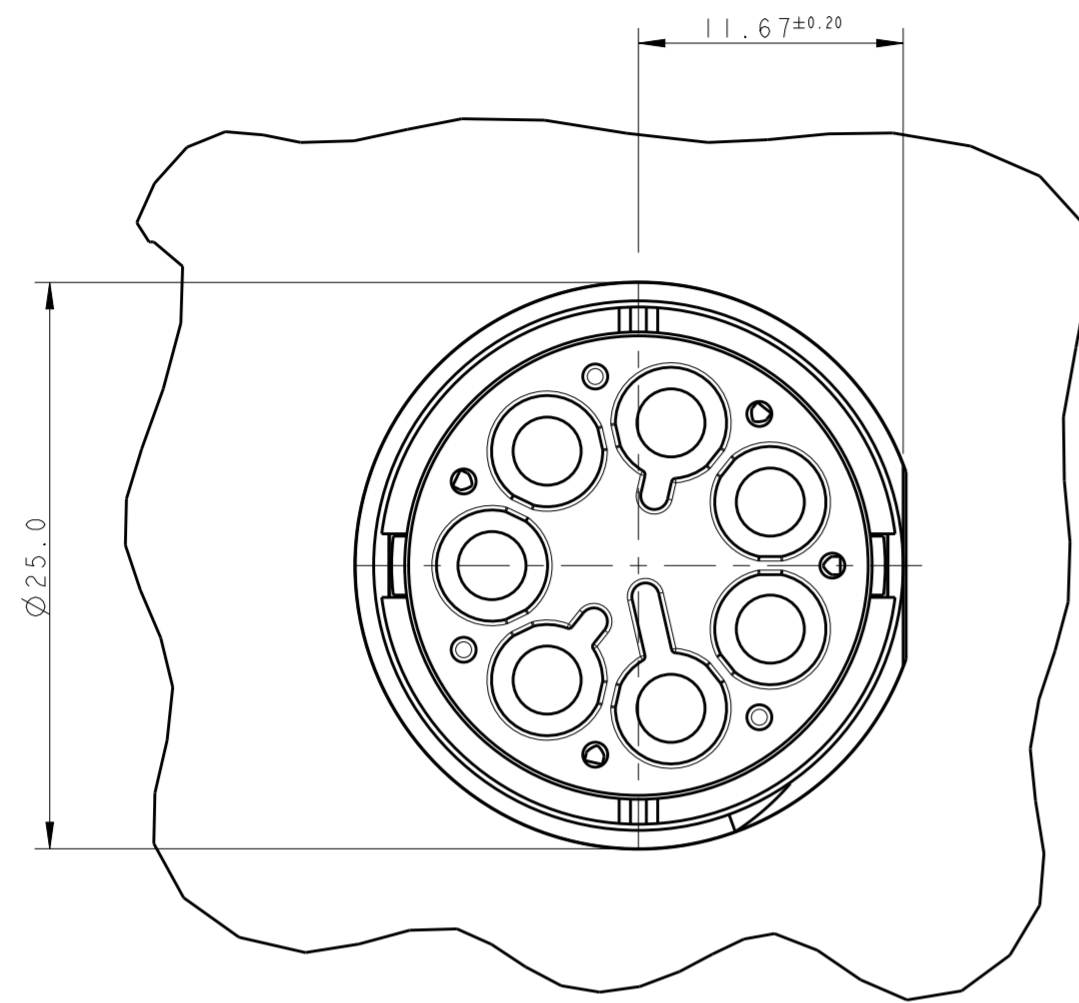
THIS DRAWING IS A CONTROLLED DOCUMENT.

DIMENSIONS: mm	TOLERANCES UNLESS OTHERWISE SPECIFIED: 0 PLC ± 1 PLC ±0.3 2 PLC ±0.20 3 PLC ± 4 PLC ± ANGLES ±3° FINISH	DWN 31MAR2011 A. BERNARDI CHK 31MAR2011 M. ZUCCA APVD 31MAR2011 G. TURCO	<b>STE</b> TE Connectivity
MATERIAL		PRODUCT SPEC APPLICATION SPEC WEIGHT	NAME PIN HOUSING 7 POLES PANEL MOUNT M-LINE NECTOR
		Customer Drawing	SIZE CAGE CODE DRAWING NO RESTRICTED TO A200779 C-293774 -
		SCALE 3:1	SHEET 2 OF 3 REV A1

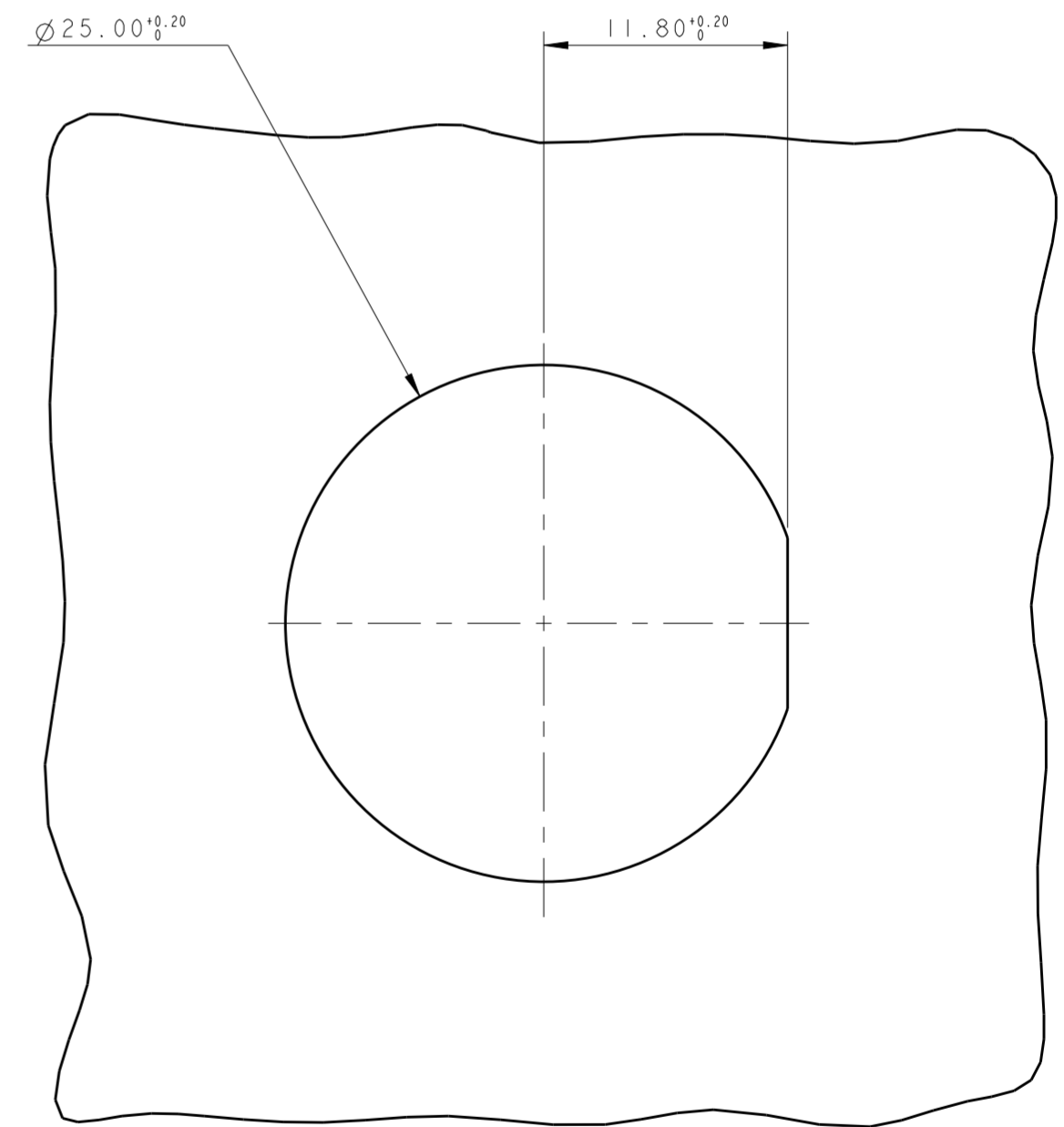
THIS DRAWING IS UNPUBLISHED. RELEASED FOR PUBLICATION 2011  
 © COPYRIGHT 2011 BY - ALL RIGHTS RESERVED.

LOC		DIST		REVISIONS			
P	LTR	DESCRIPTION	DATE	DWN	APVD		
-	-	SEE SHEET 1	-	-	-		

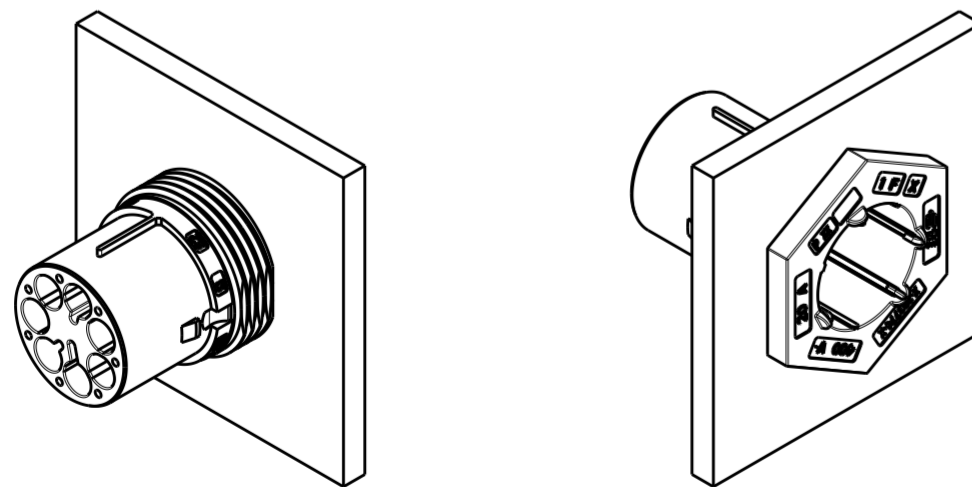
### PN 293774-3 AS SHOWN




### PANEL/WALL SUGGESTED LAYOUT



3D VIEWS FOR REFERENCE ONLY  
 PN 293774-3 AS SHOWN



SCALE 1:1

THIS DRAWING IS A CONTROLLED DOCUMENT.		DWN A. BERNARDI 31MAR2011	 TE Connectivity
DIMENSIONS: mm		CHK M. ZUCCA 31MAR2011	
TOLERANCES UNLESS OTHERWISE SPECIFIED:		APVD G. TURCO 31MAR2011	NAME PIN HOUSING 7 POLES PANEL MOUNT M-LINE NECTOR
0 PLC ±	1 PLC ±0.3	PRODUCT SPEC	SIZE
2 PLC ±0.20	3 PLC ±	APPLICATION SPEC	CAGE CODE
4 PLC ±	ANGLES ±3°	WEIGHT	DRAWING NO
FINISH		Customer Drawing	A200779C-293774
		SCALE 3:1	SHEET 3 OF 3
		REV A1	

## X-ON Electronics

Largest Supplier of Electrical and Electronic Components

*Click to view similar products for [Lighting Connectors](#) category:*

*Click to view products by [TE Connectivity](#) manufacturer:*

Other Similar products are found below :

[293300-7](#) [293660-5](#) [CNX\\_H03\\_NTP](#) [30-9767-BU](#) [3605](#) [3-21030-1](#) [ZCH-110-RGB-I](#) [503471-0290](#) [ZCH-110-RGB-J](#) [217-0716-200](#)  
[1954563-1](#) [1-293657-2](#) [2834036-1](#) [2834037-1](#) [1-2213222-4](#) [2-2213222-4](#) [2213222-4](#) [2834122-3](#) [2834122-5](#) [2834135-2](#) [FLA-R4142-30](#)  
[FLA-R4162-30](#) [FLA-R2142-30](#) [FLA-R2141-30](#) [FLA-R2162-30](#) [FLA-R2161-30](#) [FLA-R0161-30](#) [FLA-R0141-30](#) [FLA-R0142-30](#) [FLA-](#)  
[R0162-30](#) [FLA-C00-00](#) [DGA00010553](#) [CNXV04NTP](#) [104128-0610](#) [503485-0000 \(Cut Strip\)](#) [503485-0000 \(Loose Piece\)](#) [503485-0000](#)  
[\(MINI Reel\)](#) [1-2834074-2](#) [1-2834074-3](#) [1357-AC PLUG W2C \(CHINA\)](#) [1357-AC PLUG W2 \(USA\)](#) [104266-0110](#) [2106212-1](#) [2-2834074-2](#)  
[104266-0210](#) [293470-1](#) [293651-2](#) [293651-4](#) [1-2834006-2](#) [293651-1](#)