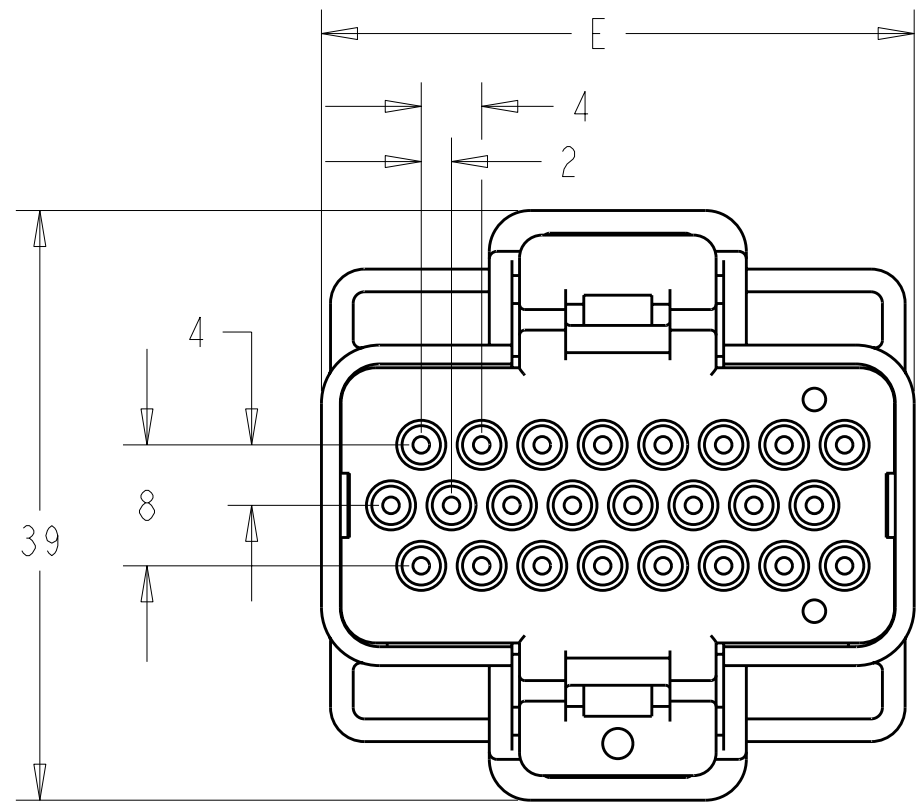
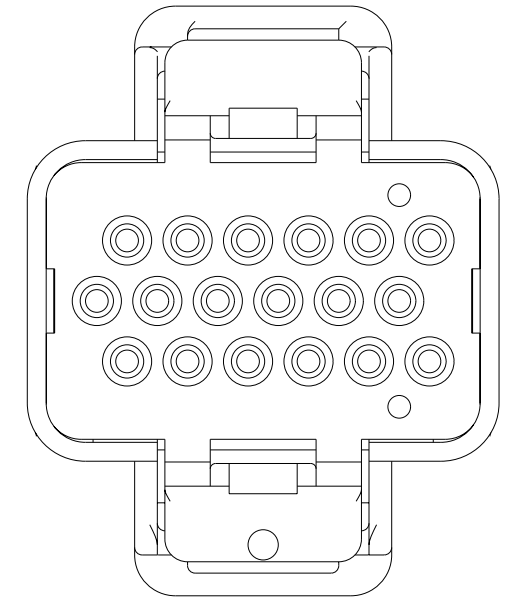


THIS DRAWING IS UNPUBLISHED. RELEASED FOR PUBLICATION 20
 © COPYRIGHT 20 ALL RIGHTS RESERVED.

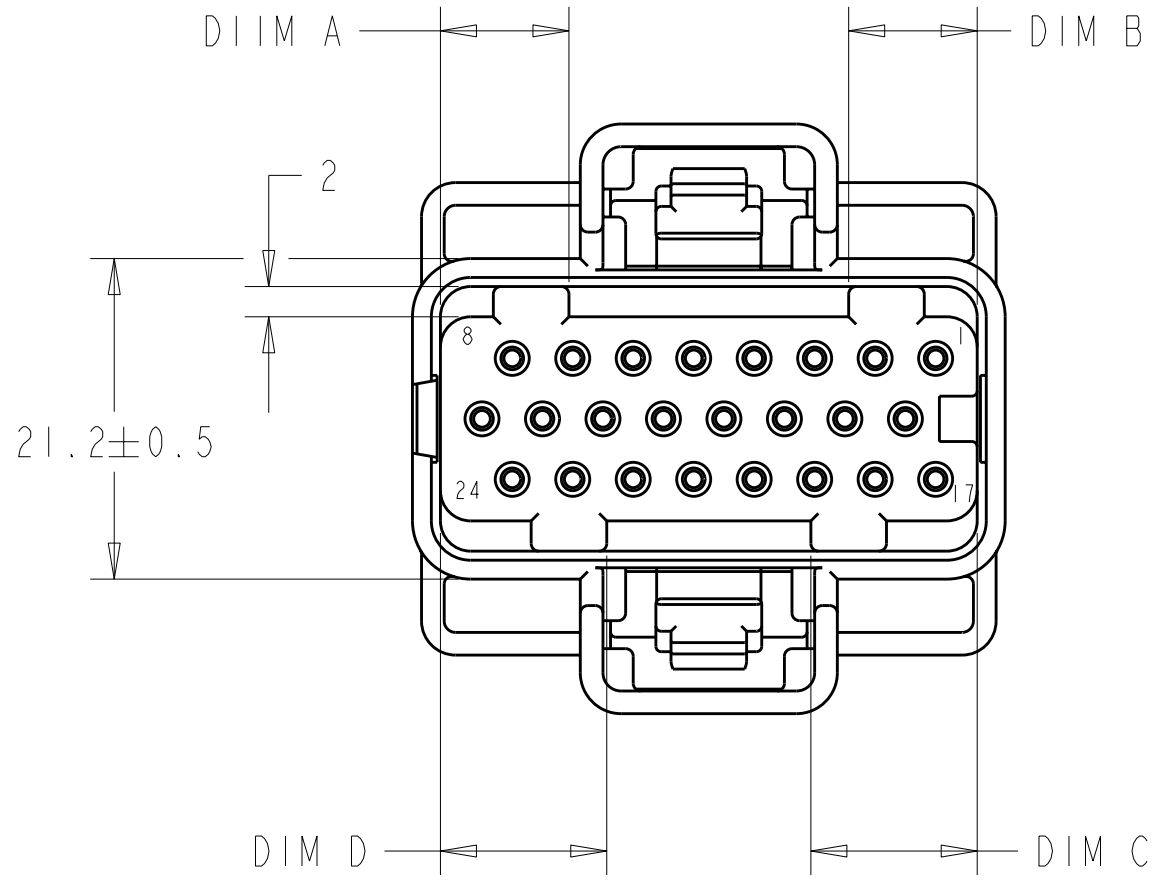
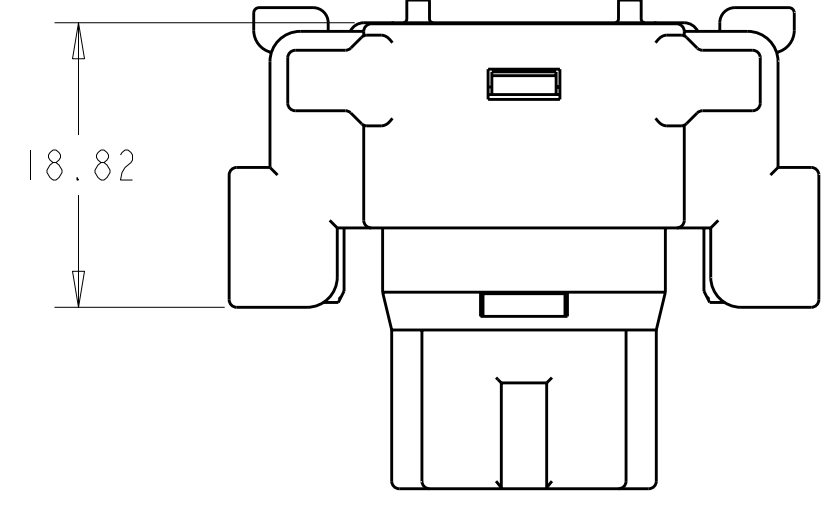
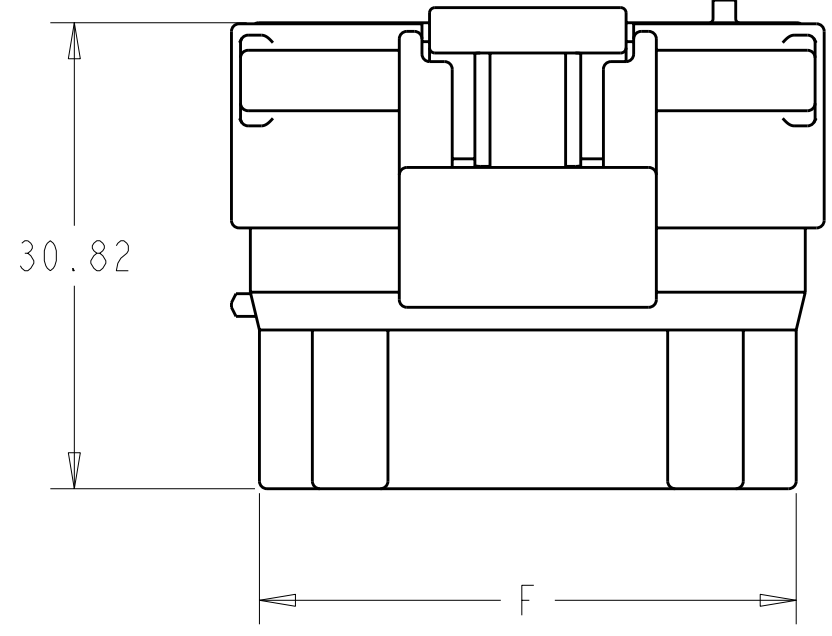
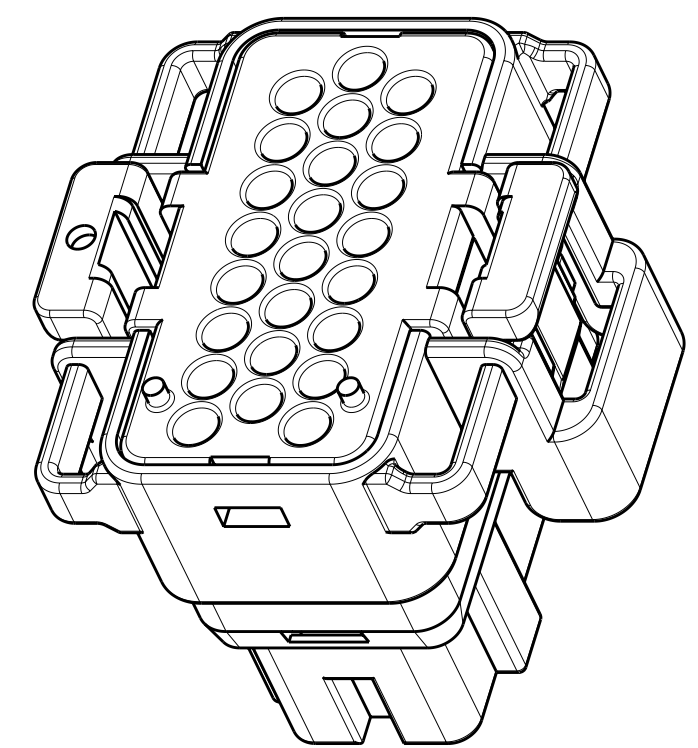
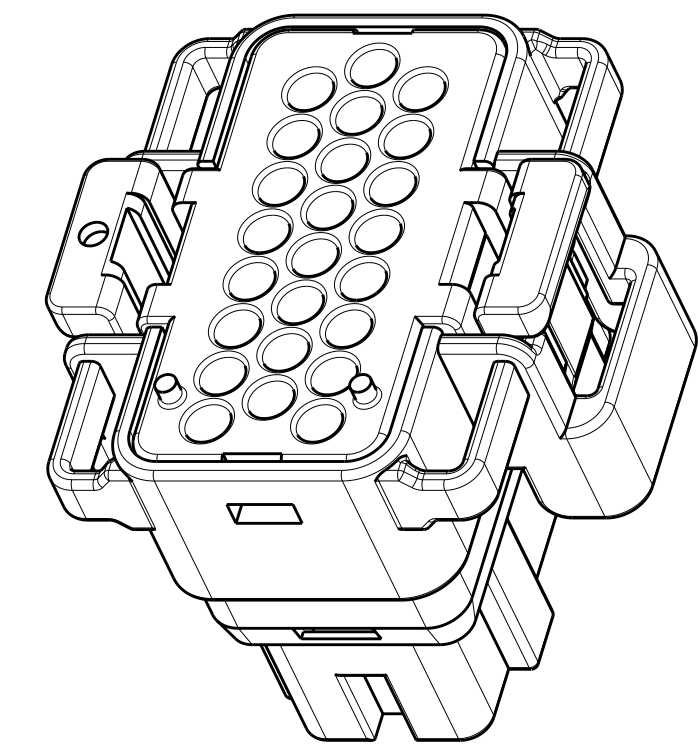
LOC		DIST		REVISIONS			
P	LTR	DESCRIPTION	DATE	DWN	APVD		
HK	00	BI	REVISED PER ECO-11-005030	30APR2011	RK	HMR	



STYLE A
(WITH STIRRUPS)



STYLE B
(WITHOUT STIRRUPS)



TE PART NO.	T&B PART NO.	NO. OF POSITIONS	DIM A	DIM B	DIM C	DIM D	DIM E	DIM F	STIRRUP STYLE	COLOR
4-1437287-7	130025603205	32	12.00	12.00	12.00	9.00	49.2	45.5	A	BLACK
4-1437287-5	130025602401	24	7.50	12.00	9.00	9.00	39.2	35.5	A	BLACK
4-1437287-6	130025602402	24	7.50	11.00	11.00	9.00	39.2	35.5	A	BLACK
1456016-1	130025602403	24	7.50	11.00	11.00	12.00	39.2	35.5	A	GREY
1456016-2	130025602404	24	9.00	11.00	11.00	9.00	39.2	35.5	A	GREY
1456016-3	130025602405	24	12.00	12.00	12.00	9.00	39.2	35.5	A	NATURAL
1456016-4	130025602406	24	11.00	12.00	9.00	9.00	39.2	35.5	A	NATURAL
N/A	1300256018XX	18	N/A	N/A	N/A	N/A	31.2	27.5	B	BLACK
N/A	1300256020XX	20	N/A	N/A	N/A	N/A	33.2	29.5	B	BLACK
N/A	1300256014XX	14	N/A	N/A	N/A	N/A	25.2	21.5	B	BLACK

THIS DRAWING IS A CONTROLLED DOCUMENT.

DWN: R. HARDISON 02OCT2000
 CHK: R. HARDISON 02OCT2000
 APVD: R. HARDISON 02OCT2000

STE TE Connectivity

NAME: SOCKET ASSEMBLY, SEALED IMM I/O CONNECTOR SYSTEM

SIZE: A2 CAGE CODE: 00779 DRAWING NO: 1456016 RESTRICTED TO: -

MATERIAL: - DIMENSIONS: mm TOLERANCES UNLESS OTHERWISE SPECIFIED: 0 PLC ±1, 1 PLC ±0.3, 2 PLC ±0.15, 3 PLC ±0.070, 4 PLC ±0.0500, ANGLES ±2, FINISH - WEIGHT: - 1

CUSTOMER DRAWING SCALE: 2:1 SHEET 1 OF 1 REV: BI

X-ON Electronics

Largest Supplier of Electrical and Electronic Components

Click to view similar products for [I/O Connectors](#) category:

Click to view products by [TE Connectivity](#) manufacturer:

Other Similar products are found below :

[571763P](#) [72.250.1628.2](#) [72.250.2428.2](#) [74720-0505](#) [76.350.0729.0](#) [76871-1403](#) [FCN-244F080-G/1](#) [FCN-260A9920](#) [MP-5T180MUNNA-005](#)
[PCR-E36PM](#) [PCS-XE26MA+](#) [G38A71314B](#) [1571250010](#) [157-22500-3](#) [MS3471L14-19P L/C](#) [91-569786-35H](#) [172501-4002](#) [172501-6002](#)
[FCN-260C008-A/L0](#) [FCN-260C024-AL0](#) [FCN-261Z008](#) [2000314-1](#) [200331-1](#) [PCR-E36FC+](#) [PCS-E28FS+](#) [PCS-XE26SLFD+](#) [PCS-](#)
[XE26SLFDT+](#) [G730VID08BDC24](#) [U90B2054081210](#) [UE86K842720321](#) [38113800006](#) [DP3AR020WQ1R200](#) [Z4.102.0680.0](#) [500-1040](#)
[500-1052](#) [500-1054](#) [ZP-4008-66L](#) [0709821002](#) [10-565995-597N](#) [DX40-20P\(55\)](#) [5554841-1](#) [MS3474W18-8P-LC*](#) [U90B3054061110](#) [U65-](#)
[E04-4020](#) [ZPF000000000097891](#) [557-262M2-06C](#) [747360449](#) [10099439-003C-TRLF](#) [10137239-0021LF](#) [E9320-001-01](#)