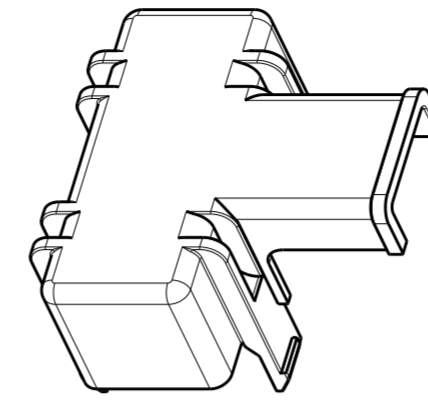
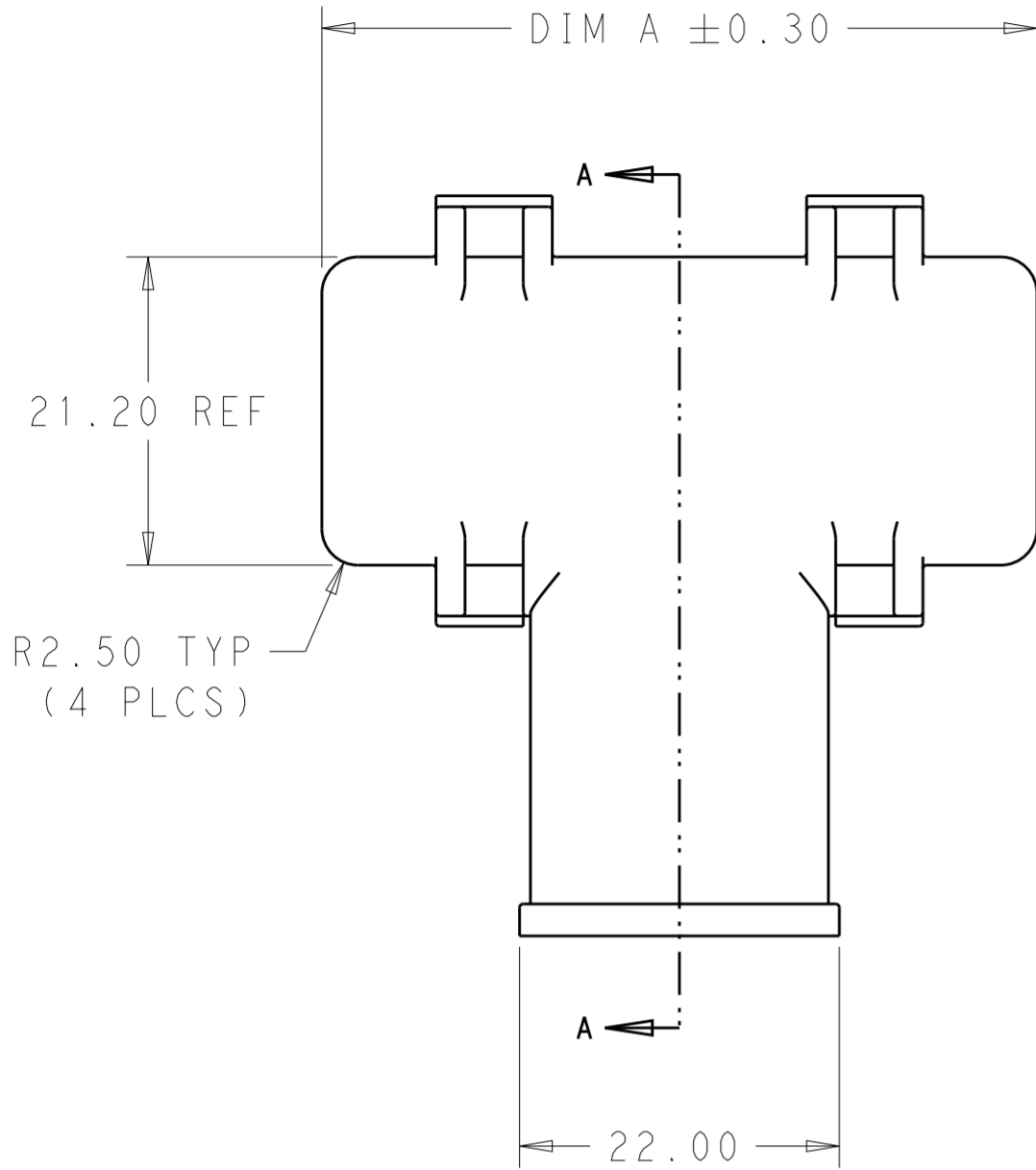


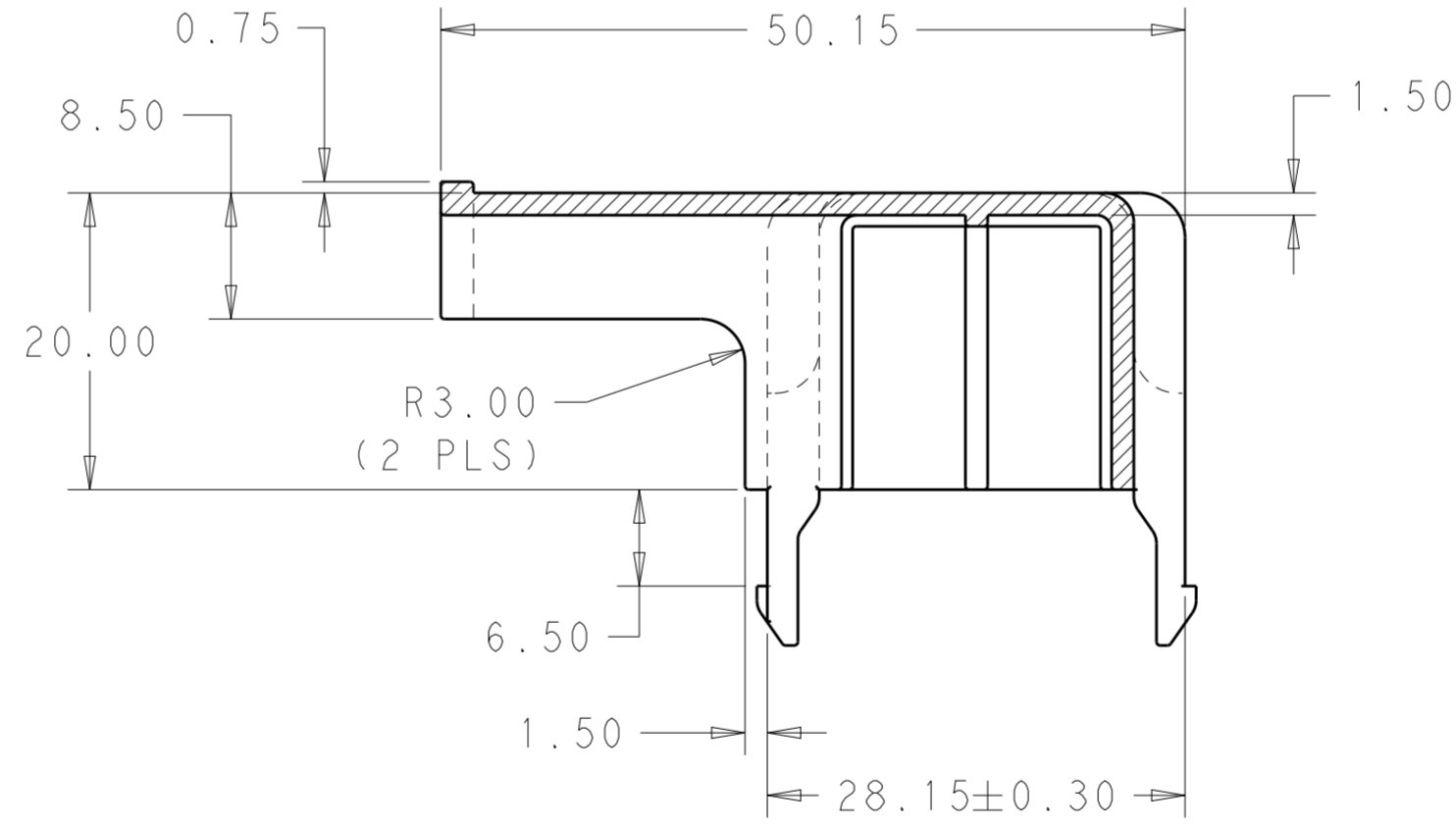
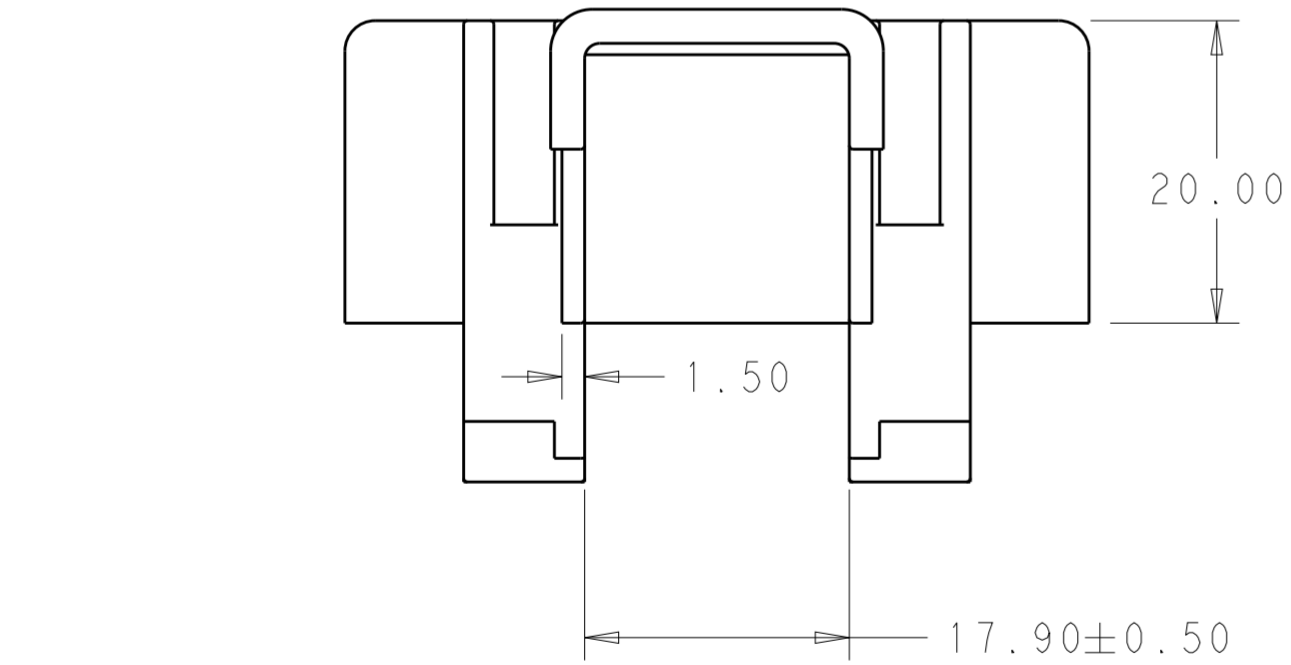
THIS DRAWING IS UNPUBLISHED. RELEASED FOR PUBLICATION 20
 © COPYRIGHT 20 BY - ALL RIGHTS RESERVED.

LOC	DIST	REVISIONS					
HK	00	P	LTR	DESCRIPTION	DATE	DWN	APVD
		A		REVISED PER ECO-13-013329	20AUG2013	DD	DD



SCALE 1:1

1. ALL DIMENSIONS ARE IN MILLIMETERS.
2. MATERIAL: ZYTEL 71G-13L, COLOR - BLACK.



SECTION A-A
(28.85 MAX AFTER BOW ALLOWANCE)

49.20	13002623201	4-1437287-9
39.20	13002622401	4-1437287-8
DIM A	T&B PART NO.	TE PART NUMBER

THIS DRAWING IS A CONTROLLED DOCUMENT.		DWN R. HARDISON 20 JUN 2001	TE Connectivity	
DIMENSIONS: mm		CHK R. HARDISON 20 JUN 2001		
TOLERANCES UNLESS OTHERWISE SPECIFIED:		APVD R. HARDISON 20 JUN 2001	NAME ROUTING COVER, 90 DEGREE EXIT, 24 AND 32 POSITION SOCKET	
0 PLC ±1 1 PLC ±.5 2 PLC ±.2 3 PLC ±.1 4 PLC ±.05 ANGLES ±2 FINISH		PRODUCT SPEC -	SIZE A200779	
MATERIAL ZYTEL		APPLICATION SPEC -	DRAWING NO C-1456321	
		WEIGHT -	RESTRICTED TO -	
		Customer Drawing	SCALE 2:1 SHEET 1 OF 1 REV A	

X-ON Electronics

Largest Supplier of Electrical and Electronic Components

Click to view similar products for [Automotive Connectors](#) category:

Click to view products by [TE Connectivity](#) manufacturer:

Other Similar products are found below :

[003-018-000](#) [600858](#) [60403001](#) [60993906-B](#) [60993913-B](#) [629515004020001](#) [M902-2131](#) [M902-2161](#) [M902-2344](#) [72.330.1035.1](#)
[73.353.4028.0](#) [F118010](#) [F119300-B](#) [F132210](#) [F132210-B](#) [F166900](#) [F180100](#) [F258300](#) [F258300-B](#) [F294300-B](#) [F339100](#) [F339700](#) [F358300-](#)
[B](#) [F374110](#) [F407400](#) [F412210](#) [F427600](#) [F444110](#) [F487000](#) [F495100-B](#) [F500900-B](#) [F509500B-B](#) [770444-1](#) [776880-1](#) [827153-1](#) [881735-1](#)
[8N1515-32-24P](#) [9-1326727-8](#) [9-1326729-8](#) [925467-1](#) [925474-1](#) [928905-1](#) [936398-2](#) [964562-1](#) [964562-4](#) [964731-2](#) [965051-1](#) [968782-1](#)
[GT17SA-8DS-HU](#) [GT17VS-10DP-5.2CF](#)