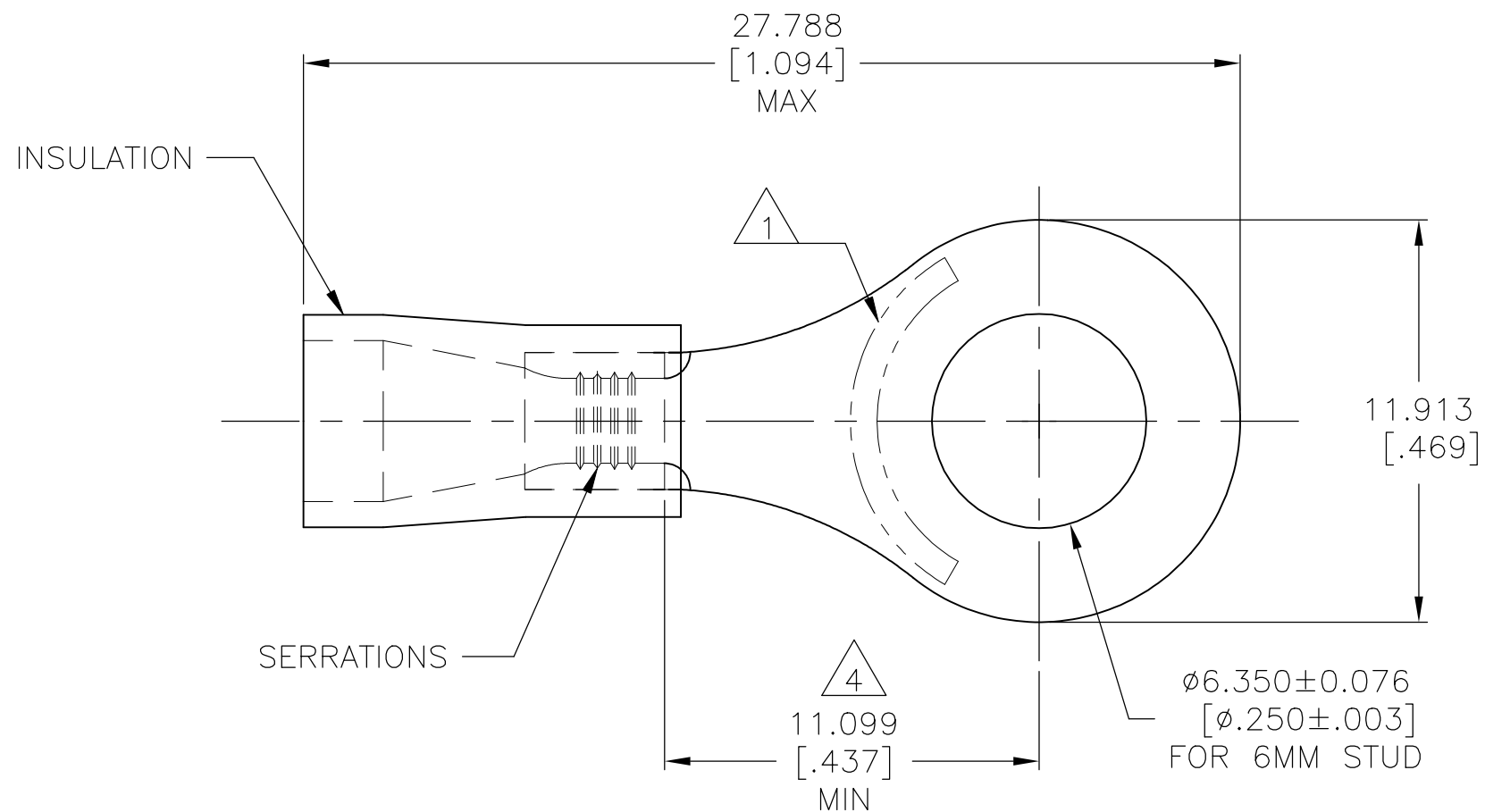
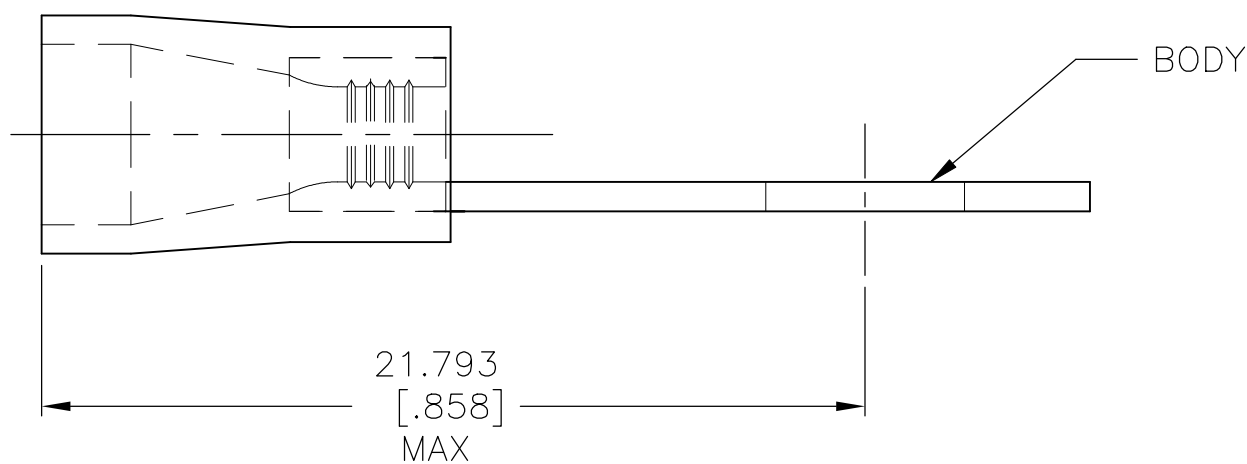


P	LTR	DESCRIPTION	DATE	DWN	APVD
	E	REV PER ECR 05-009599	06DEC05	JR	TM
	E1	REVISED PER ECO-17-014338	15MAY2018	RS	DR



- 1 STAMP AMP 16-14* APPROX AS SHOWN
- 2 WIRE INSULATION DIA:
2.997-4.902 [.118-.193]
- 3 BODY MATERIAL THICKNESS IS
0.787±0.051 [.031±.002]
- 4 APPLIES FROM EDGE OF METAL WIRE
BARREL TO CENTER OF STUD HOLE
- 5 600 VOLT MAX
- 6 CIRCULAR MIL AREA
2,050-5,180 [1.04mm²-2.62mm²]
- 7 MAXIMUM TEMPERATURE 105°C [221°F]



LOOSE PIECE	1000	130126
PACKAGING	QTY	PART NO

THIS DRAWING IS A CONTROLLED DOCUMENT.		DWN jr_ruth 06DEC05	STE TE Connectivity Ltd.														
DIMENSIONS: mm [INCHES]		CHK T MICHELUTTI 06DEC05															
TOLERANCES UNLESS OTHERWISE SPECIFIED:		APVD T MICHELUTTI 06DEC05	NAME TERMINAL, RING TONGUE, PLASTI-GRIP, 16-14 AWG														
<table border="0"> <tr><td>0 PLC</td><td>± -</td></tr> <tr><td>1 PLC</td><td>± -</td></tr> <tr><td>2 PLC</td><td>± -</td></tr> <tr><td>3 PLC</td><td>± 0.127 [.005]</td></tr> <tr><td>4 PLC</td><td>± -</td></tr> <tr><td>ANGLES</td><td>± 1°</td></tr> </table>		0 PLC	± -	1 PLC	± -	2 PLC	± -	3 PLC	± 0.127 [.005]	4 PLC	± -	ANGLES	± 1°	PRODUCT SPEC UL 486 A-B	RESTRICTED TO		
0 PLC	± -																
1 PLC	± -																
2 PLC	± -																
3 PLC	± 0.127 [.005]																
4 PLC	± -																
ANGLES	± 1°																
MATERIAL BODY: COPPER PER ASTM B152 INSULATION: PVC		APPLICATION SPEC 114-2161	SIZE A3	CAGE CODE 00779	DRAWING NO C-130126												
FINISH BODY: TIN PLATE PER ASTM B545 INSULATION: COLOR - BLUE		WEIGHT	SCALE 5:1														
CUSTOMER DRAWING		SHEET 1 OF 1		REV E1													

X-ON Electronics

Largest Supplier of Electrical and Electronic Components

Click to view similar products for [Terminals](#) category:

Click to view products by [TE Connectivity](#) manufacturer:

Other Similar products are found below :

[00-054007-01074-6](#) [00-054007-70206-1](#) [00-054007-70210-8](#) [00-054007-70217-7](#) [00-054007-70226-9](#) [00-054007-70228-3](#) [00-054007-70248-1](#) [00-054007-70256-6](#) [00-054007-70301-3](#) [00-054007-70316-7](#) [0-0320562-0](#) [00-054007-49560-4](#) [00-054007-70209-2](#) [00-054007-70225-2](#) [00-054007-70227-6](#) [00-054007-70231-3](#) [00-054007-70241-2](#) [00-054007-70242-9](#) [00-054007-70244-3](#) [00-054007-70246-7](#) [00-054007-70263-4](#) [00-054007-70288-7](#) [00-054007-70290-0](#) [00-054007-70300-6](#) [00-054007-70304-4](#) [01-2065-1-0216](#) [01-2900-1-04412](#) [00581P0075](#) [600TS-10](#) [60205-1](#) [604200-1](#) [605601-1](#) [60598-1-CUT-TAPE](#) [61314-6-C](#) [61810-3](#) [61-S](#) [61-SN](#) [626-0194](#) [62-NBM-A](#) [62-SN](#) [62-SP](#) [63-S](#) [640179-1](#) [M55155/059I03](#) [M55155/079C01](#) [M55155/099H02](#) [M55155/109H01](#) [M55155/109H02](#) [M55155/12XH05](#) [M55155/16XH02](#)