

1-305183-1 ✓ ACTIVE

AMP | AMP Type II, AMP Type III+

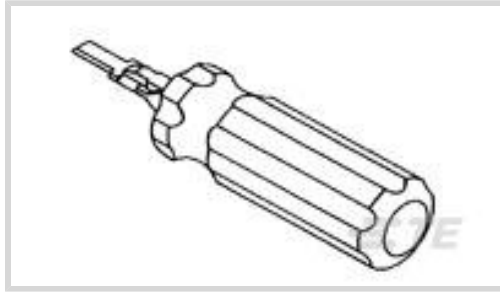
TE Internal #: 1-305183-1

AMP Type III+, Insertion & Extraction Tools, Contact Extraction,
Contact-to-Housing

[View on TE.com >](#)



Application Tooling > Insertion & Extraction Tools



Insertion & Extraction Tool Type: **Contact Extraction**

Insertion & Extraction Tool Application: **Contact-to-Housing**

Features

Product Type Features

Insertion & Extraction Tool Type	Contact Extraction
Insertion & Extraction Tool Application	Contact-to-Housing

Product Compliance

[For compliance documentation, visit the product page on TE.com>](#)

EU RoHS Directive 2011/65/EU	Out of Scope
EU ELV Directive 2000/53/EC	Out of Scope
China RoHS 2 Directive MIIT Order No 32, 2016	Not reviewed for China RoHS compliance
EU REACH Regulation (EC) No. 1907/2006	Current ECHA Candidate List: JUL 2021 (219) Candidate List Declared Against: JUL 2021 (219) Does not contain REACH SVHC
Halogen Content	Not Yet Reviewed for halogen content
Solder Process Capability	Not applicable for solder process capability

Product Compliance Disclaimer

This information is provided based on reasonable inquiry of our suppliers and represents our current actual knowledge based on the information they provided. This information is subject to change. The part numbers that TE has identified as EU RoHS compliant have a maximum concentration of 0.1% by weight in homogenous materials for lead, hexavalent chromium, mercury, PBB, PBDE, DBP, BBP, DEHP, DIBP, and 0.01% for cadmium, or qualify for an exemption to these limits as defined in the Annexes of Directive 2011/65/EU (RoHS2). Finished electrical and electronic equipment products will be CE marked as required by Directive 2011/65/EU. Components may not be CE marked. Additionally, the part numbers that TE has identified as EU ELV compliant have a maximum concentration of 0.1% by weight in homogenous materials for lead, hexavalent chromium, and mercury, and 0.01% for cadmium, or qualify for an exemption to these limits as defined in the Annexes of Directive 2000/53/EC (ELV). Regarding the REACH Regulation, the information TE provides on SVHC in articles for this part number is based on the latest European Chemicals Agency (ECHA) 'Guidance on requirements for substances in articles' posted at this URL: <https://echa.europa.eu/guidance-documents/guidance-on-reach>

Compatible Parts



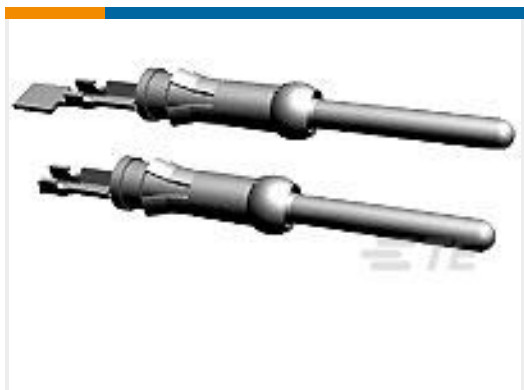
TE Part # CAT-AM71-T98E
TYPE III CONTACTS LP



TE Part # CAT-AM71-T98A
TYPE III CONTACTS LP



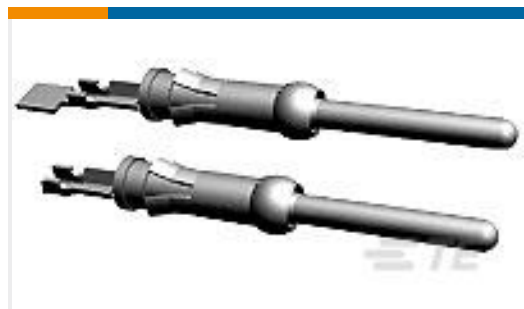
TE Part # CAT-AM71-T98B
TYPE III CONTACTS STRIP



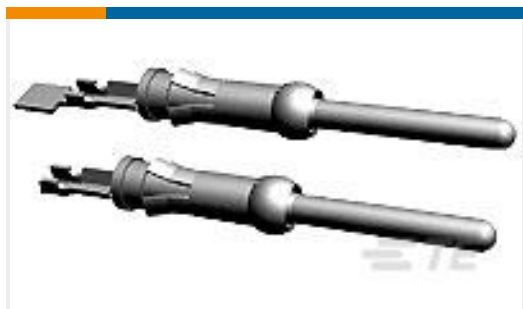
TE Part # 66103-2
III+ PIN,24-20,TIN-LEAD,LP



TE Part # 66102-7
III+ PIN,24-20,TIN-LEAD,STRIP



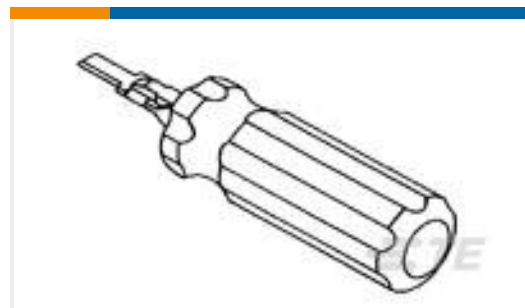
TE Part # 66359-6
III+ PIN,18-14,TIN-LEAD,STRIP



TE Part # 66332-5
III+ PIN,24-20,TIN-LEAD,STRIP



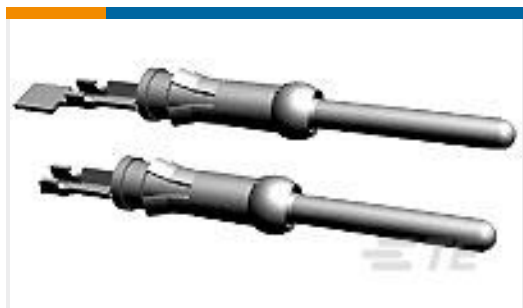
TE Part # 66098-7
III+ PIN,18-16,TIN-LEAD,STRIP



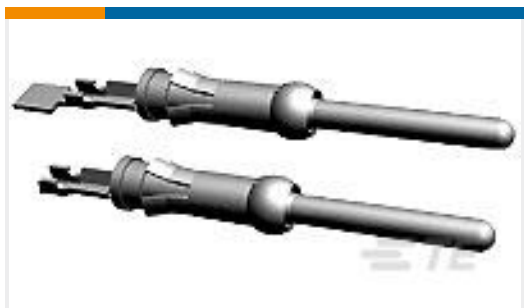
TE Part # 1-305183-2
EXTRACT TOOL MATE-N-LOK SKT



TE Part # 193534-1
PIN ASSY, POWER ,12-14 AWG



TE Part # 66099-2
III+ PIN,18-16,TIN-LEAD,LP



TE Part # 66361-2
III+ PIN,18-14,TIN-LEAD,LP



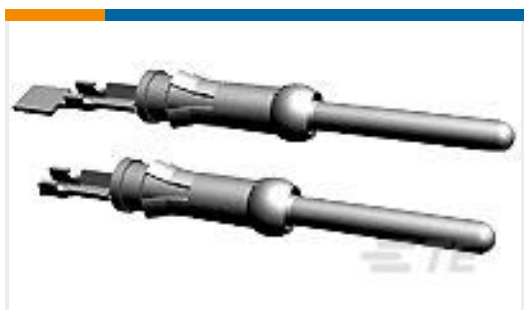
TE Part # 66400-1
III+ PIN,24-20,TIN-LEAD,LP



TE Part # 66471-7
PIN,.062 DIA,.045 SQ POST,LP



TE Part # 194264-1
PIN ASSY,;SIZE 16 SOLDER TAIL



TE Part # 66107-2
III+ PIN,26-24,TIN-LEAD,LP



TE Part # 66471-1
PIN,.062 DIA,.045 SQ POST,LP



TE Part # 66471-3
PIN,.062 DIA,.045 SQ POST,LP



TE Part # 66471-9
PIN,.062 DIA,.045 SQ POST,LP

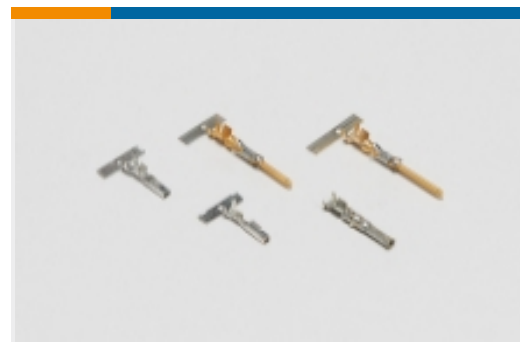


TE Part # 193846-1
SKT ASSY.

Also in the Series | **AMP Type II**



Insertion & Extraction Tools(4)

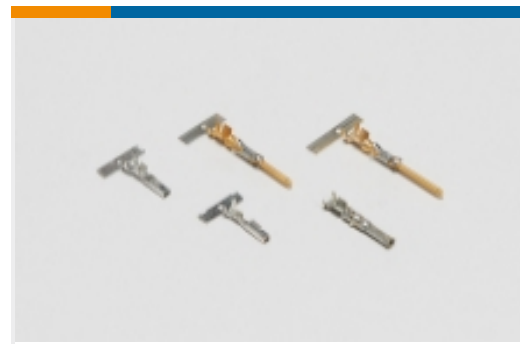


Power Contacts(35)

Also in the Series | AMP Type III+

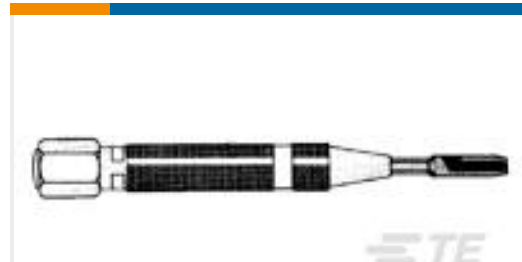


Insertion & Extraction Tools(4)



Power Contacts(415)

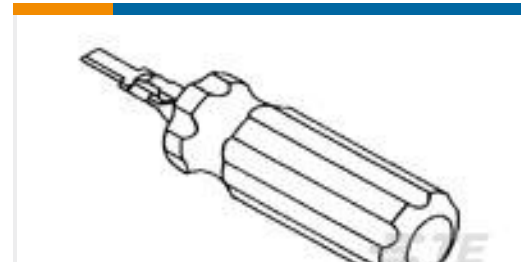
Customers Also Bought



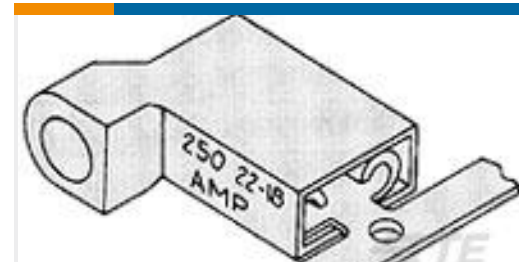
TE Part #200893-2
INSERTION TOOL CONT



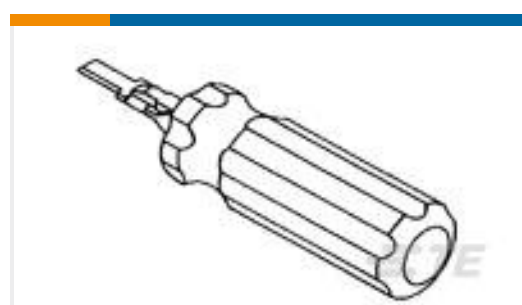
TE Part #539972-1
EXTRACTION TOOL



TE Part #1804030-1
EXTRACTION TOOL ASSY



TE Part #3-520339-2
ULTRA-FAST 187 ASY REC 16-14 AWG
TPBR



TE Part #1-305183-2
EXTRACT TOOL MATE-N-LOK SKT



TE Part #0462-201-20141
DEUTSCH SOLID CONTACTS



TE Part #1602508-1
615= LEVER, TRIP CLUTCH



TE Part #1SNA002036R1500
BORNIER MERLIN GERIN ENT7240A

Documents

Datasheets & Catalog Pages

[Crimp Term Whitepaper-Use the Right Tool 1-1773953-1](#)

English

[CRIMPING WHERE FORM MEETS FUNCTION](#)

English



Instruction Sheets

Instruction Sheet (U.S.)

English

Agency Approvals

CSA Certificate

English

X-ON Electronics

Largest Supplier of Electrical and Electronic Components

Click to view similar products for [Extraction, Removal & Insertion Tools](#) category:

Click to view products by [TE Connectivity](#) manufacturer:

Other Similar products are found below :

[M8196914-08](#) [768211-2](#) [809-131](#) [844751-2](#) [8-59558-2](#) [91018-1](#) [12014013](#) [12093647](#) [1-21048-0](#) [R282867020](#) [12093078](#) [1-21048-6](#)
[12121897](#) [DCF.91.405.5LT](#) [1322](#) [15314260](#) [15313892](#) [15350698](#) [15350707](#) [15430130](#) [1579018-4](#) [1643916-1](#) [1-679532-0](#) [1976593-3](#)
[OUTEXT-0321](#) [2-1579008-3](#) [2-1579008-4](#) [229694-7](#) [231106-1](#) [241469](#) [91040-3](#) [91040-7](#) [965004-000](#) [965069-000](#) [1738219-1](#) [ET-JL05-16](#)
[FG 0300 146 3000](#) [FIT-6](#) [210S048](#) [2-1579007-9](#) [231879-1](#) [312138-3](#) [RJ11FODE](#) [356-162](#) [M8196914-10](#) [4-1579018-0](#) [430395-001](#) [483249-](#)
[1](#) [5-1579007-2](#) [5-1579007-9](#)