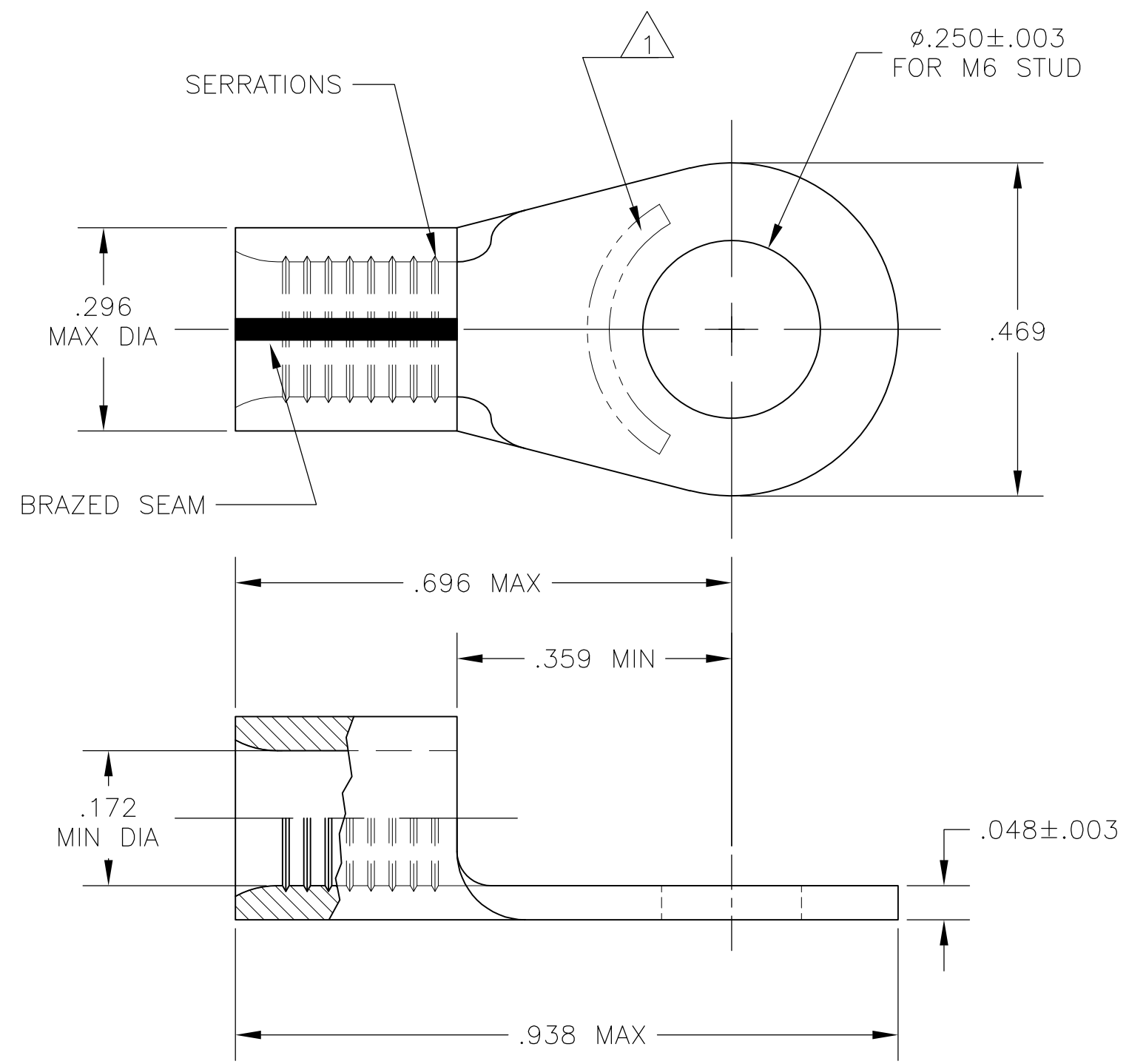


THIS DRAWING IS UNPUBLISHED. RELEASED FOR PUBLICATION
 © COPYRIGHT - By - ALL RIGHTS RESERVED.

LOC	DIST	REVISIONS					
G	14	P	LTR	DESCRIPTION	DATE	DWN	APVD
			A4	REVISED PER ECO-14-017801	26NOV2014	NK	DR



- 1 STAMP AMP 8, APPROX AS SHOWN.
- 2 MAX RECOMMENDED OPERATING TEMP. IS 170°C MAX
- 3 VOLTAGE RATING IS NOT APPLICABLE.
- 4 WIRE CROSS SECTIONAL AREA RANGE: 13,100-20,800 CMA / 6.64-10.5mm²
- 5 COPPER PER ASTM B-152, ANNEALED.
- 6 .000100 MIN TIN PLATE PER ASTM B-545.

6	130550
FINISH	PART NO

THIS DRAWING IS A CONTROLLED DOCUMENT.		DWN	JR RUTH	13FEB06	STE TE Connectivity														
DIMENSIONS: INCHES		CHK	T MICHIELUTTI	13FEB06															
<table border="1"> <tr> <th colspan="2">TOLERANCES UNLESS OTHERWISE SPECIFIED:</th> </tr> <tr> <td>0 PLC</td> <td>± -</td> </tr> <tr> <td>1 PLC</td> <td>± -</td> </tr> <tr> <td>2 PLC</td> <td>± -</td> </tr> <tr> <td>3 PLC</td> <td>± .008</td> </tr> <tr> <td>4 PLC</td> <td>± -</td> </tr> <tr> <td>ANGLES</td> <td>± 5'</td> </tr> </table>		TOLERANCES UNLESS OTHERWISE SPECIFIED:		0 PLC		± -	1 PLC	± -	2 PLC	± -	3 PLC	± .008	4 PLC	± -	ANGLES	± 5'	APVD	T MICHIELUTTI	13FEB06
		TOLERANCES UNLESS OTHERWISE SPECIFIED:																	
0 PLC	± -																		
1 PLC	± -																		
2 PLC	± -																		
3 PLC	± .008																		
4 PLC	± -																		
ANGLES	± 5'																		
MATERIAL		PRODUCT SPEC		NAME															
<table border="1"> <tr> <td style="text-align: center;">5</td> <td>SEE TABLE</td> </tr> </table>		5	SEE TABLE	APPLICATION SPEC		TERMINAL, RING TONGUE, SOLISTRAND, WIRE SIZE: #8													
		5	SEE TABLE																
FINISH		WEIGHT		SIZE	CAGE CODE	DRAWING NO	RESTRICTED TO												
		CUSTOMER DRAWING		A3 00779		G-130550													
				SCALE	5:1	SHEET	1 OF 1												
						REV	A4												

X-ON Electronics

Largest Supplier of Electrical and Electronic Components

Click to view similar products for [Terminals](#) category:

Click to view products by [TE Connectivity](#) manufacturer:

Other Similar products are found below :

[00-054007-01074-6](#) [00-054007-70206-1](#) [00-054007-70210-8](#) [00-054007-70217-7](#) [00-054007-70226-9](#) [00-054007-70228-3](#) [00-054007-70248-1](#) [00-054007-70256-6](#) [00-054007-70301-3](#) [00-054007-70316-7](#) [0-0320562-0](#) [00-054007-49560-4](#) [00-054007-70209-2](#) [00-054007-70225-2](#) [00-054007-70227-6](#) [00-054007-70231-3](#) [00-054007-70241-2](#) [00-054007-70242-9](#) [00-054007-70244-3](#) [00-054007-70246-7](#) [00-054007-70263-4](#) [00-054007-70288-7](#) [00-054007-70290-0](#) [00-054007-70300-6](#) [00-054007-70304-4](#) [01-2065-1-0216](#) [01-2900-1-04412](#) [00581P0075](#) [600TS-10](#) [60205-1](#) [604200-1](#) [605601-1](#) [60598-1-CUT-TAPE](#) [61314-6-C](#) [61810-3](#) [61-S](#) [61-SN](#) [626-0194](#) [62-NBM-A](#) [62-SN](#) [62-SP](#) [63-S](#) [640179-1](#) [M55155/059I03](#) [M55155/079C01](#) [M55155/099H02](#) [M55155/109H01](#) [M55155/109H02](#) [M55155/12XH05](#) [M55155/16XH02](#)