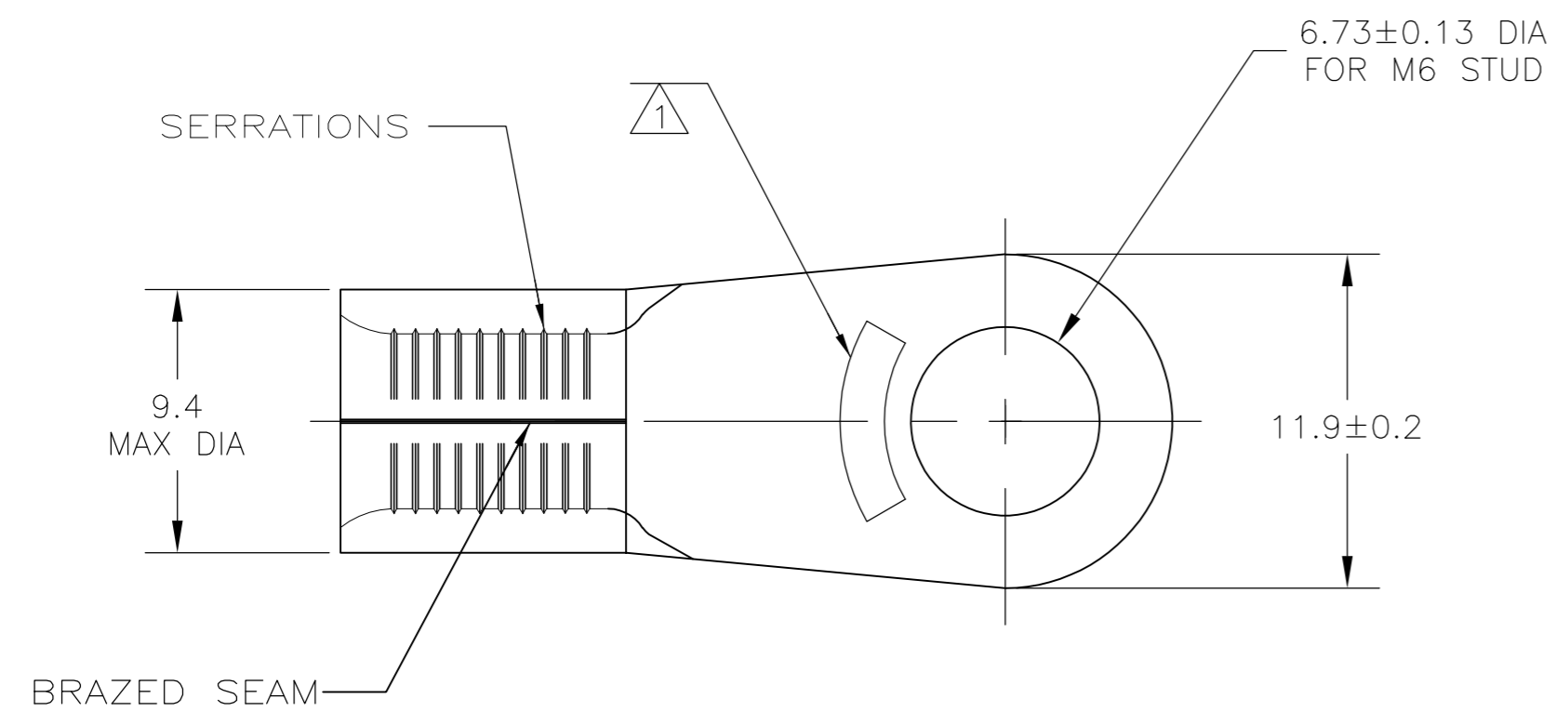


THIS DRAWING IS UNPUBLISHED. RELEASED FOR PUBLICATION
 © COPYRIGHT BY TYCO ELECTRONICS CORPORATION. ALL RIGHTS RESERVED.

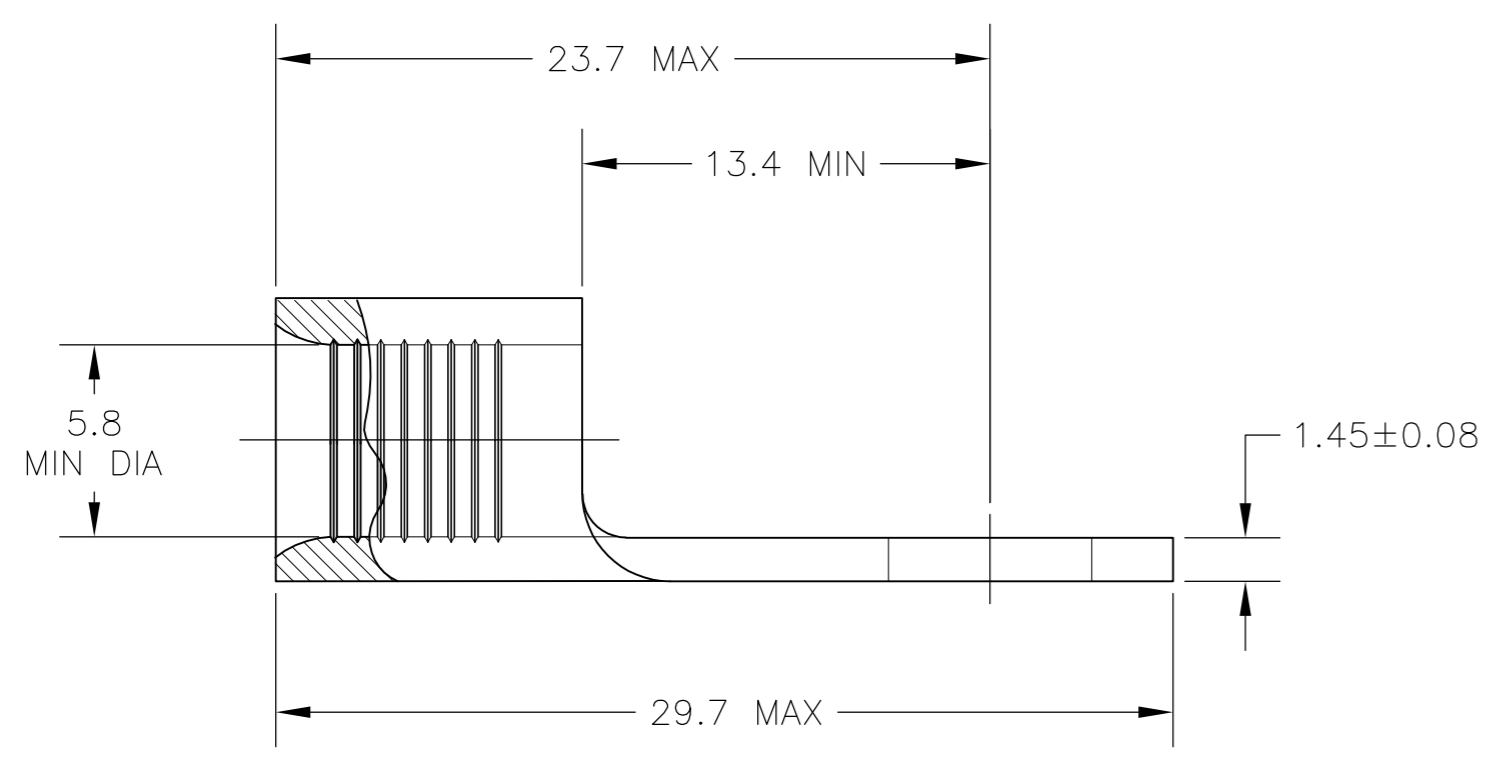
LOC	DIST	REVISIONS					
		P	LTR	DESCRIPTION	DATE	DWN	APVD
G	14		A	REDRAWN PER ECR 05-010490	08SEP05	JR	TM
			A1	REVISED PER ECO-09-020935	29AUG09	KK	AEG



AMP
WIRE RANGE

6 AWG
SOLID OR STRANDED

- ① STAMP AMP 6* APPROX AS SHOWN
- ② COPPER PER ASTM B-152, ANNEALED
- ③ MAX OPERATING TEMP IS 170°C
- ④ WIRE CROSS SECTIONAL AREA RANGE:
10.5-16.8mm² [20,800-33,100] CIR MILS
SOLID OR STRANDED WIRE
- ⑤ OBSOLETE PARTS: OBSOLETE CIS STREAMLINING
PER D.RENAUD/D.SINISI



⑤ OBSOLETE	LOOSE PIECE BOX	25	TIN PLATE 0.00254[.000100] MIN THK PER ASTM B-545	8 130554 1
	LOOSE PIECE	100	TIN PLATE 0.00254[.000100] MIN THK PER ASTM B-545	130554
	PACKAGE TYPE	QTY	FINISH	PART NO.

THIS DRAWING IS A CONTROLLED DOCUMENT.		DWN	JR RUTH	08SEP05	Tyco Electronics Corporation Harrisburg, Pa 17105-3608		
DIMENSIONS: mm INCHES		CHK	T MICHIELUTTI	08SEP05			
TOLERANCES UNLESS OTHERWISE SPECIFIED:		APVD	T MICHIELUTTI	08SEP05			
0 PLC ± - 1 PLC ± - 2 PLC ± - 3 PLC ± - 4 PLC ± - ANGLES ± -		PRODUCT SPEC	NAME				
MATERIAL	FINISH	WEIGHT	SIZE		CAGE CODE	DRAWING NO	RESTRICTED TO
②	SEE TABLE	-	A2		00779	C=130554	-
CUSTOMER DRAWING			SCALE	4:1	SHEET	1 OF 1	REV
							A1

130554

A

X-ON Electronics

Largest Supplier of Electrical and Electronic Components

Click to view similar products for [Terminals](#) category:

Click to view products by [TE Connectivity](#) manufacturer:

Other Similar products are found below :

[00-054007-01074-6](#) [00-054007-70206-1](#) [00-054007-70210-8](#) [00-054007-70217-7](#) [00-054007-70226-9](#) [00-054007-70228-3](#) [00-054007-70248-1](#) [00-054007-70256-6](#) [00-054007-70301-3](#) [00-054007-70316-7](#) [0-0320562-0](#) [00-054007-49560-4](#) [00-054007-70209-2](#) [00-054007-70225-2](#) [00-054007-70227-6](#) [00-054007-70231-3](#) [00-054007-70241-2](#) [00-054007-70242-9](#) [00-054007-70244-3](#) [00-054007-70246-7](#) [00-054007-70263-4](#) [00-054007-70288-7](#) [00-054007-70290-0](#) [00-054007-70300-6](#) [00-054007-70304-4](#) [01-2065-1-0216](#) [01-2900-1-04412](#) [00581P0075](#) [600TS-10](#) [60205-1](#) [604200-1](#) [605601-1](#) [60598-1-CUT-TAPE](#) [61314-6-C](#) [61810-3](#) [61-S](#) [61-SN](#) [626-0194](#) [62-NBM-A](#) [62-SN](#) [62-SP](#) [63-S](#) [640179-1](#) [M55155/059I03](#) [M55155/079C01](#) [M55155/099H02](#) [M55155/109H01](#) [M55155/109H02](#) [M55155/12XH05](#) [M55155/16XH02](#)