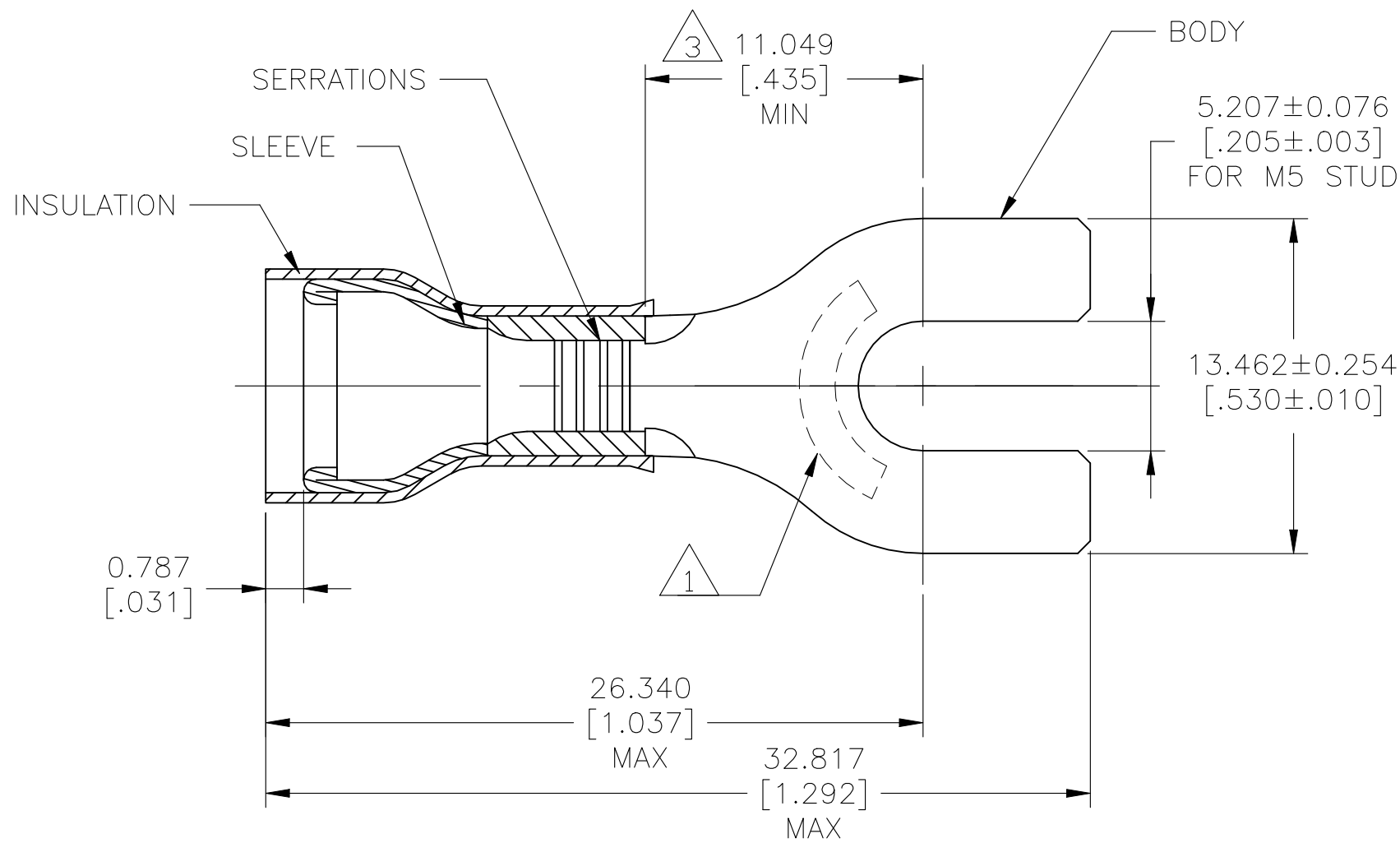


REVISIONS				
P	LTR	DESCRIPTION	DATE	APVD
	C3	REVISED PER ECO-21-007118	30JUN2021	RK DR



- 1 STAMP "AMP 12-10*", APPROX AS SHOWN.
- 2 BODY MATERIAL THICKNESS IS 0.991± 0.051 [.039±.002]
- 3 APPLIES FROM EDGE OF METAL WIRE BARREL TO CENTER OF STUD HOLE.
- 4 WIRE INSULATION DIA 3.810-6.350 [.150-.250]
- 5 BODY - COPPER PER ASTM B152
SLEEVE - COPPER PER ASTM B152
INSULATION - NYLON
- 6 BODY - TIN PL 0.00254[.000100] MIN EXT THK PER ASTM B545
SLEEVE - TIN PL 0.00254[.000100] MIN EXT THK PER ASTM B545
INSULATION - COLOR - YELLOW
- 7 105°C [221 F] MAX OPERATING TEMPERATURE.
- 8 300 VOLT MAX
- 9 2.62-6.64mm² [5,180 - 13,100 CMA] SOLID OR STRANDED

500	LOOSE PIECE	130620
QTY	PACKAGE TYPE	PART NO

THIS DRAWING IS A CONTROLLED DOCUMENT.		DWN jr_ruth 13APR07	STE TE Connectivity	
DIMENSIONS: mm [INCHES]		CHK T MICHELUTTI 13APR07		
TOLERANCES UNLESS OTHERWISE SPECIFIED:		APVD T MICHELUTTI 13APR07	NAME	
0 PLC ± -		PRODUCT SPEC		
1 PLC ± -		UL 486A-B		
2 PLC ± -		APPLICATION SPEC		
3 PLC ± 0.127[.005]		114-2157		
4 PLC ± -		SIZE	CAGE CODE	DRAWING NO
ANGLES ± 5°		A3 00779		C-130620
MATERIAL	FINISH	WEIGHT		RESTRICTED TO
5	6	CUSTOMER DRAWING		—
		SCALE	SHEET	REV
		4:1	1 OF 1	C3

X-ON Electronics

Largest Supplier of Electrical and Electronic Components

Click to view similar products for [Terminals](#) category:

Click to view products by [TE Connectivity](#) manufacturer:

Other Similar products are found below :

[00-054007-01074-6](#) [00-054007-70206-1](#) [00-054007-70210-8](#) [00-054007-70217-7](#) [00-054007-70226-9](#) [00-054007-70228-3](#) [00-054007-70248-1](#) [00-054007-70256-6](#) [00-054007-70301-3](#) [00-054007-70316-7](#) [0-0320562-0](#) [00-054007-49560-4](#) [00-054007-70209-2](#) [00-054007-70225-2](#) [00-054007-70227-6](#) [00-054007-70231-3](#) [00-054007-70241-2](#) [00-054007-70242-9](#) [00-054007-70244-3](#) [00-054007-70246-7](#) [00-054007-70263-4](#) [00-054007-70288-7](#) [00-054007-70290-0](#) [00-054007-70300-6](#) [00-054007-70304-4](#) [01-2065-1-0216](#) [01-2900-1-04412](#) [00581P0075](#) [600TS-10](#) [60205-1](#) [604200-1](#) [605601-1](#) [60598-1-CUT-TAPE](#) [61314-6-C](#) [61810-3](#) [61-S](#) [61-SN](#) [626-0194](#) [62-NBM-A](#) [62-SN](#) [62-SP](#) [63-S](#) [640179-1](#) [M55155/059I03](#) [M55155/079C01](#) [M55155/099H02](#) [M55155/109H01](#) [M55155/109H02](#) [M55155/12XH05](#) [M55155/16XH02](#)