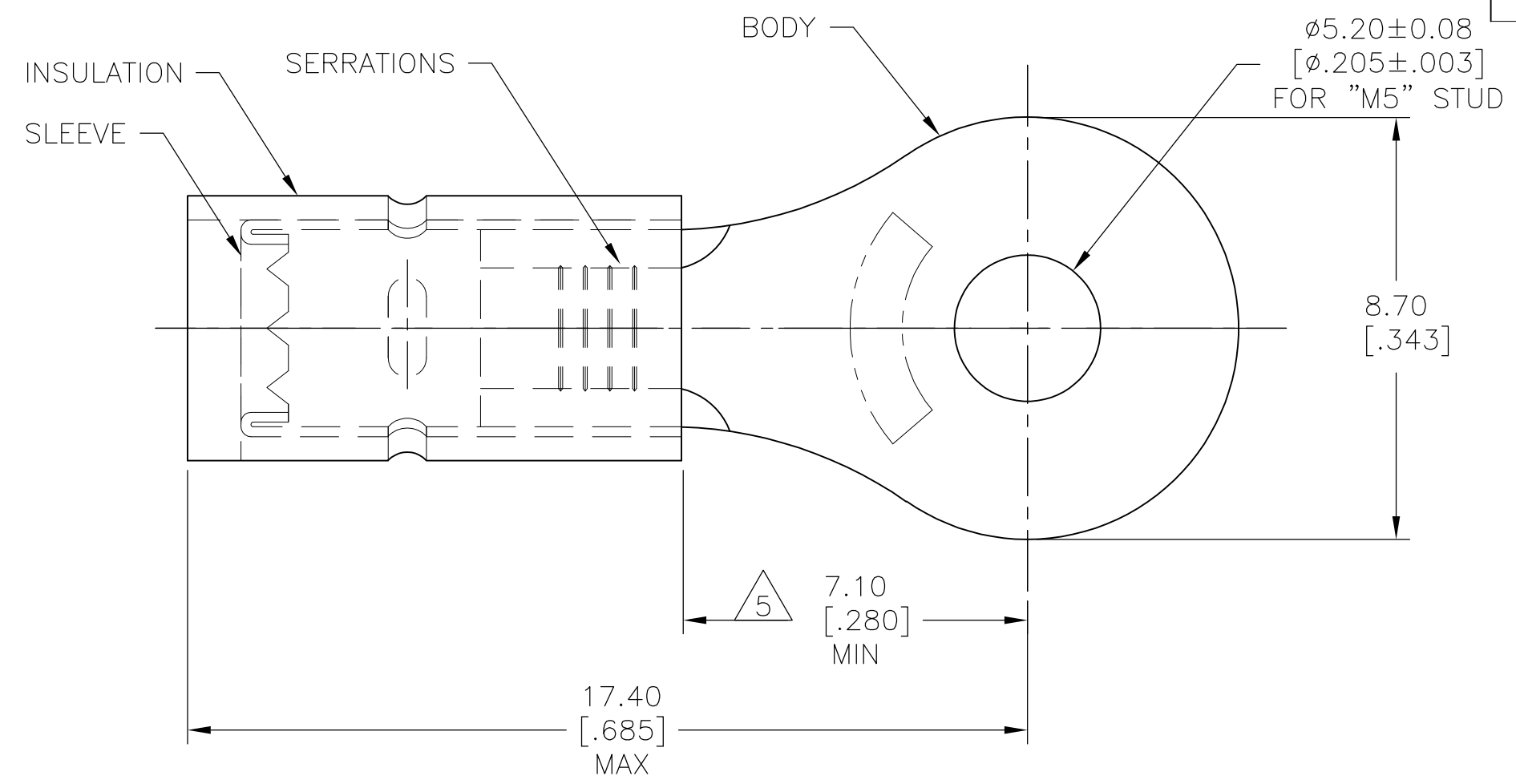
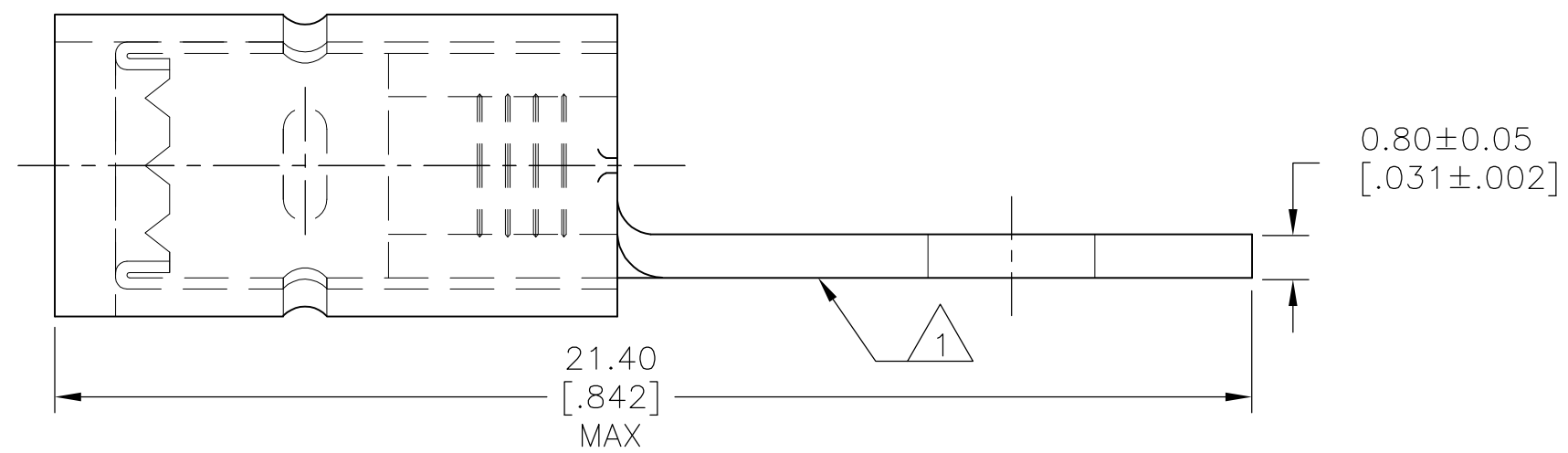


THIS DRAWING IS UNPUBLISHED. RELEASED FOR PUBLICATION  
 © COPYRIGHT - By - ALL RIGHTS RESERVED.

LOC	DIST	REVISIONS			
P	LTR	DESCRIPTION	DATE	DWN	APVD
-	-	A	NEW DRAWING PER ECO-15-015483	30OCT2015	NK DR



- $\triangle 1$  STAMP AMP 16-14\* APPROX AS SHOWN
- 2 FOR INSULATION DIAMETER 2.60 $[\ .102]$  TO 3.81 $[\ .150]$
- $\triangle 3$  MATERIAL:  
BODY&SLEEVE: COPPER PER ASTM B152  
INSULATION: NYLON.
- $\triangle 4$  FINISH:  
BODY&SLEEVE: TIN PLATE PER ASTM B545  
INSULATION: COLOR-BLUE
- $\triangle 5$  APPLIES FROM CENTER OF STUD HOLE TO EDGE OF METAL WIRE BARREL



5000	TAPE&REEL	2-130663-1
1000	LOOSE PIECE	130663
PKG QTY	PACKAGE TYPE	PART NUMBER

THIS DRAWING IS A CONTROLLED DOCUMENT.		DWN NAGALAKSHMI K 30OCT2015	<b>STE</b> TE Connectivity													
DIMENSIONS: mm [INCHES]		CHK ROHDE DANIEL 30OCT2015														
TOLERANCES UNLESS OTHERWISE SPECIFIED:		APVD ROHDE DANIEL 30OCT2015	NAME TERMINAL RING TONGUE, PIDG 16-14 AWG													
<table border="0"> <tr><td>0 PLC</td><td>± -</td></tr> <tr><td>1 PLC</td><td>± 0.38<math>[\ .015]</math></td></tr> <tr><td>2 PLC</td><td>± -</td></tr> <tr><td>3 PLC</td><td>± -</td></tr> <tr><td>4 PLC</td><td>± -</td></tr> <tr><td>ANGLES</td><td>± 1°</td></tr> </table>		0 PLC	± -	1 PLC	± 0.38 $[\ .015]$	2 PLC	± -	3 PLC	± -	4 PLC	± -	ANGLES	± 1°	PRODUCT SPEC -	RESTRICTED TO -	
0 PLC	± -															
1 PLC	± 0.38 $[\ .015]$															
2 PLC	± -															
3 PLC	± -															
4 PLC	± -															
ANGLES	± 1°															
MATERIAL $\triangle 3$		APPLICATION SPEC -	SIZE A3	CAGE CODE 00779	DRAWING NO C-130663											
FINISH $\triangle 4$		WEIGHT -	CUSTOMER DRAWING													
		SCALE 8:1	SHEET 1 OF 1	REV A												

## X-ON Electronics

Largest Supplier of Electrical and Electronic Components

*Click to view similar products for [Terminals](#) category:*

*Click to view products by [TE Connectivity](#) manufacturer:*

Other Similar products are found below :

[00-054007-01074-6](#) [00-054007-70206-1](#) [00-054007-70210-8](#) [00-054007-70217-7](#) [00-054007-70226-9](#) [00-054007-70228-3](#) [00-054007-70248-1](#) [00-054007-70256-6](#) [00-054007-70301-3](#) [00-054007-70316-7](#) [0-0320562-0](#) [00-054007-49560-4](#) [00-054007-70209-2](#) [00-054007-70225-2](#) [00-054007-70227-6](#) [00-054007-70231-3](#) [00-054007-70241-2](#) [00-054007-70242-9](#) [00-054007-70244-3](#) [00-054007-70246-7](#) [00-054007-70263-4](#) [00-054007-70288-7](#) [00-054007-70290-0](#) [00-054007-70300-6](#) [00-054007-70304-4](#) [01-2065-1-0216](#) [01-2900-1-04412](#) [00581P0075](#) [600TS-10](#) [60205-1](#) [604200-1](#) [605601-1](#) [60598-1-CUT-TAPE](#) [61314-6-C](#) [61810-3](#) [61-S](#) [61-SN](#) [626-0194](#) [62-NBM-A](#) [62-SN](#) [62-SP](#) [63-S](#) [640179-1](#) [M55155/059I03](#) [M55155/079C01](#) [M55155/099H02](#) [M55155/109H01](#) [M55155/109H02](#) [M55155/12XH05](#) [M55155/16XH02](#)