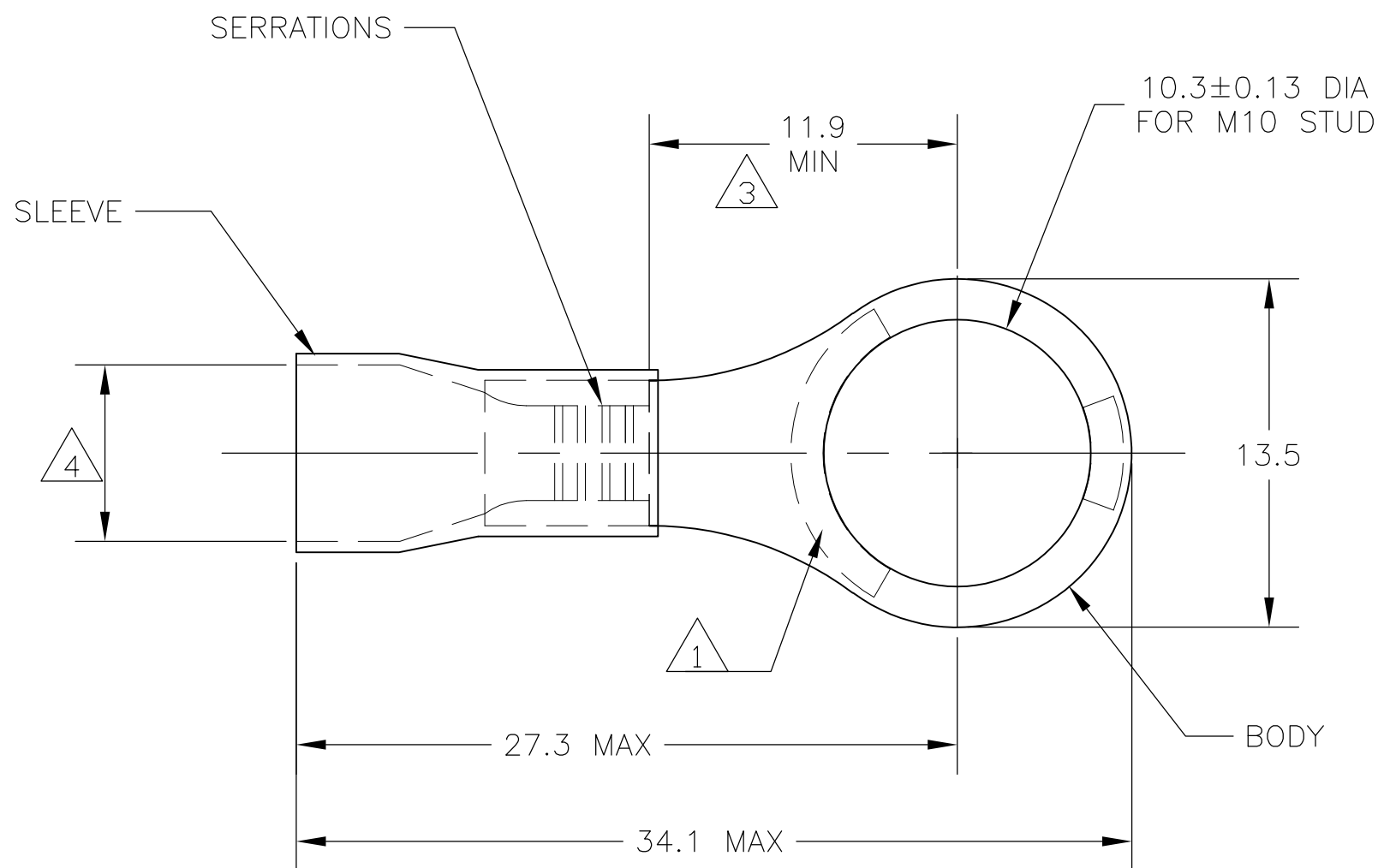


THIS DRAWING IS UNPUBLISHED. RELEASED FOR PUBLICATION
© COPYRIGHT - BY TYCO ELECTRONICS CORPORATION. ALL RIGHTS RESERVED.

LOC G DIST 14

REVISIONS		DESCRIPTION	DATE	DWN	APVD
P	LTR				
	A	REV PER ECR 07-017430	01AUG07	JR	TM

AMP WIRE RANGE	Listed
12-10 AWG SOLID OR STRANDED	12-10 AWG SOLID OR STRANDED



- 1 STAMP "AMP 12-10*", LOCATION APPROX AS SHOWN.
- 2 TONGUE THICKNESS IS 1.0±0.05
- 3 APPLIES TO EDGE OF METAL WIRE BARREL TO CENTER OF STUD HOLE.
- 4 WIRE INSULATION DIA RANGE 3.81-6.35
- 5 BODY - COPPER PER ASTM B-152 SLEEVE - PVC
- 6 BODY - TIN PL PER ASTM B-545 SLEEVE - COLOR - YELLOW
- 7 105°C MAX OPERATING TEMPERATURE.
- 8 600 VOLT MAX
- 9 2.62-6.64mm² [5,180 - 13,100 CMA] SOLID OR STRANDED

500	LOOSE PIECE	130677
QTY	PACKAGE TYPE	PART NO

THIS DRAWING IS A CONTROLLED DOCUMENT.		DWN jr_ruth 01AUG07	Tyco Electronics Corporation Harrisburg, PA 17105-3608			
DIMENSIONS: mm INCHES		CHK T MICHELUTTI 01AUG07				
TOLERANCES UNLESS OTHERWISE SPECIFIED:		APVD T MICHELUTTI 01AUG07	NAME			
0 PLC ± - 1 PLC ± 0.1 2 PLC ± - 3 PLC ± - 4 PLC ± - ANGLES ± 5°		PRODUCT SPEC -	TERMINAL RING TONGUE, PLASTI-GRIP, WIRE SIZE 12-10			
MATERIAL	FINISH	APPLICATION SPEC -	SIZE	CAGE CODE	DRAWING NO	RESTRICTED TO
-5	-6	WEIGHT -	A3	00779	G-130677	-
CUSTOMER DRAWING			SCALE 4:1	SHEET 1 OF 1	REV A	

X-ON Electronics

Largest Supplier of Electrical and Electronic Components

Click to view similar products for [Terminals](#) category:

Click to view products by [TE Connectivity](#) manufacturer:

Other Similar products are found below :

[00-054007-01074-6](#) [00-054007-70206-1](#) [00-054007-70210-8](#) [00-054007-70217-7](#) [00-054007-70226-9](#) [00-054007-70228-3](#) [00-054007-70248-1](#) [00-054007-70256-6](#) [00-054007-70301-3](#) [00-054007-70316-7](#) [00-054007-49560-4](#) [00-054007-70209-2](#) [00-054007-70225-2](#) [00-054007-70227-6](#) [00-054007-70231-3](#) [00-054007-70241-2](#) [00-054007-70242-9](#) [00-054007-70244-3](#) [00-054007-70246-7](#) [00-054007-70263-4](#) [00-054007-70288-7](#) [00-054007-70290-0](#) [00-054007-70300-6](#) [00-054007-70304-4](#) [01-2065-1-0216](#) [01-2900-1-04412](#) [00581P0075](#) [600TS-10](#) [60205-1](#) [604200-1](#) [605601-1](#) [60598-1-CUT-TAPE](#) [61314-6-C](#) [61810-3](#) [61-S](#) [61-SN](#) [626-0194](#) [62-NBM-A](#) [62-SN](#) [62-SP](#) [63-S](#) [640179-1](#) [M55155/059I03](#) [M55155/079C01](#) [M55155/099H02](#) [M55155/109H01](#) [M55155/109H02](#) [M55155/12XH05](#) [M55155/16XH02](#) [M55155/29-5S](#)