

THIS DRAWING IS UNPUBLISHED.

RELEASED FOR PUBLICATION

2011

LOC -

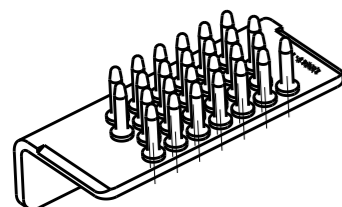
DIST -

REVISIONS

© COPYRIGHT 2011

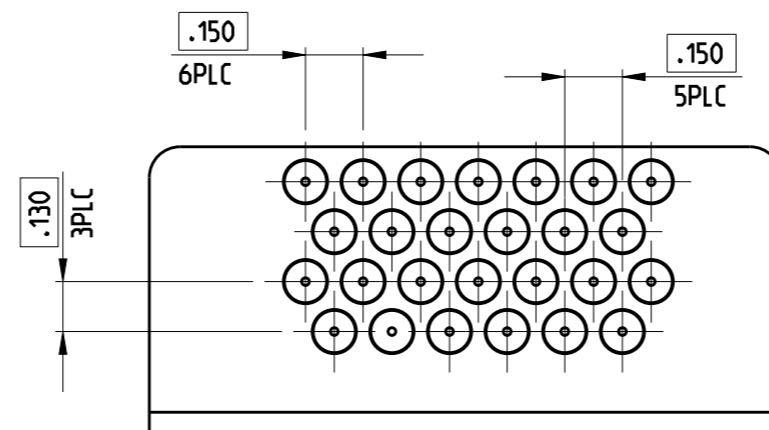
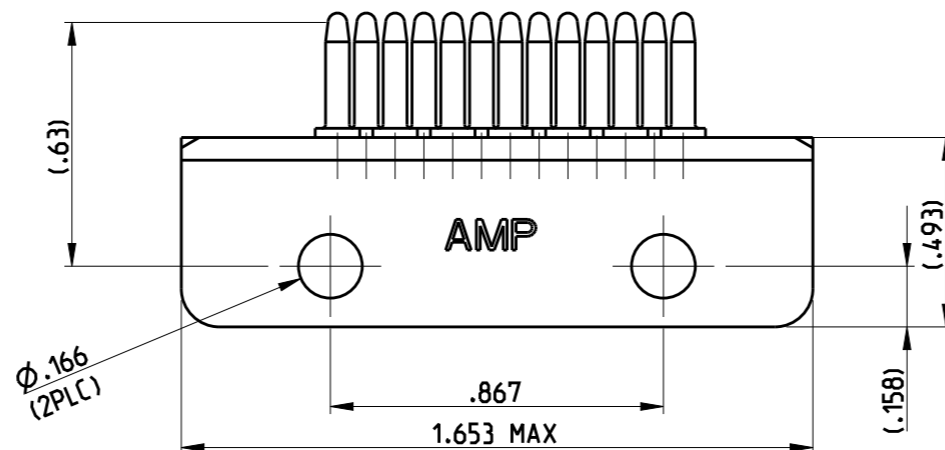
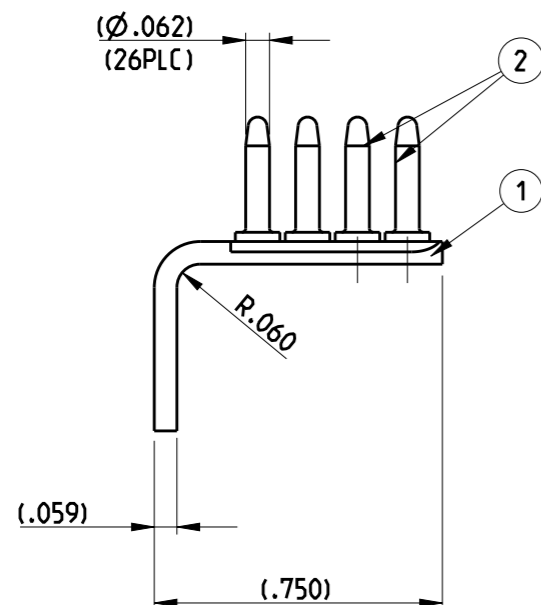
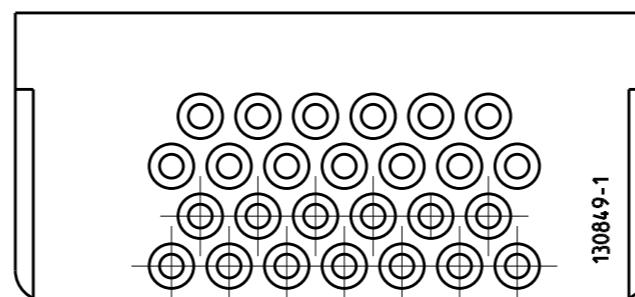
ALL RIGHTS RESERVED.

P	LTR	DESCRIPTION	DATE	DWN	APVD
	A	FIRST RELEASE	30AUG2011	JT	YP
	B	UPDATE NOTE 2 CLARIFICATIONS	18JUN2013	JT	YP
	C	ADDED NOTE 1	22MAR2019	LN	YP



SCALE 1:1

130849-1 AS SHOWN



- 1. MATES TO 130852-2 OR 130852-3
- 2 .000030 MIN AU OVER NICKEL
- 3 .00016 MIN Sn OVER Cu UNDERLAYER

FINISH	MATERIAL	QTY	DESCRIPTION	ITEM
2	BRASS	26	PIN	2
3	BRASS	1	BRACKET	1

130849-1
PART NUMBER

THIS DRAWING IS A CONTROLLED DOCUMENT.

DWN J.THUEZ 29/08/11

CHK Y.PETRONIN 29/08/11

APVD Y.PETRONIN 29/08/11

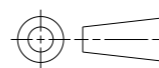
PRODUCT SPEC

APPLICATION SPEC

WEIGHT 20.3g

Customer Drawing

DIMENSIONS:
INCHES



TOLERANCES UNLESS OTHERWISE SPECIFIED:

- 0 PLC ±.
- 1 PLC ±.1
- 2 PLC ±.02
- 3 PLC ±.005
- 4 PLC ±
- ANGLES ±1°
- FINISH SEE TABLE

MATERIAL SEE TABLE

FINISH SEE TABLE

STE TE Connectivity

NAME BRACKET GROUNDING 26 PINS

SIZE CAGE CODE DRAWING NO RESTRICTED TO

A3 00779 C-130849

SCALE 2:1 SHEET 1 OF 1 REV C

X-ON Electronics

Largest Supplier of Electrical and Electronic Components

Click to view similar products for [Rack & Panel Connectors](#) category:

Click to view products by [TE Connectivity](#) manufacturer:

Other Similar products are found below :

[00170420102](#) [00171420202](#) [00171440002](#) [008026165000265](#) [00-8219-072-000-112P44](#) [008219072000112P5](#) [02-014-013-5200-000](#) [613467-000](#) [CTJ112E01E-513](#) [CTJ116E03A-513](#) [M81714/63-22S L/C](#) [M81714/65-12-1](#) [66020-2](#) [CW8958-000](#) [699886-000](#) [D250-50632](#)
[70.400.3240.0](#) [70.955.2453.3](#) [733753-000](#) [F22831-000](#) [780-522-DPX34RG8-02](#) [MMA25-0341D1](#) [8660-501](#) [87.060.0053.0](#) [900709N001](#)
[QRP4-12P-C\(01\)](#) [QR/P6-6S-C\(01\)](#) [AC-600003-004](#) [1218600-1](#) [D-659-0061](#) [DMC-MD 24 C-T](#) [1-445717-6](#) [1484398-2](#) [1484399-2](#) [1484469-2](#) [MR-34MG](#) [1484225-1](#) [1484398-1](#) [1604997-2](#) [1663130-1](#) [1663767-7](#) [1663767-8](#) [MTC100-BF1-P31CS015](#) [MTC100-KT2-0083](#) [MTC100-KT2-0123-003](#) [MTC100-YA1-005](#) [MTCB1X-105-XXX](#) [MTCPQKT1P2PGDC](#) [MTCPQKT1R2PGCA](#) [MTCR-103-04S](#)