

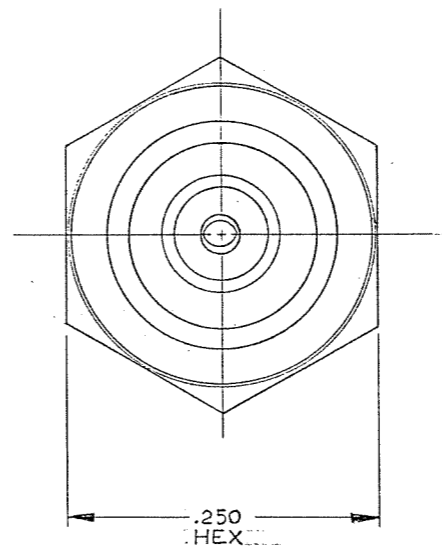
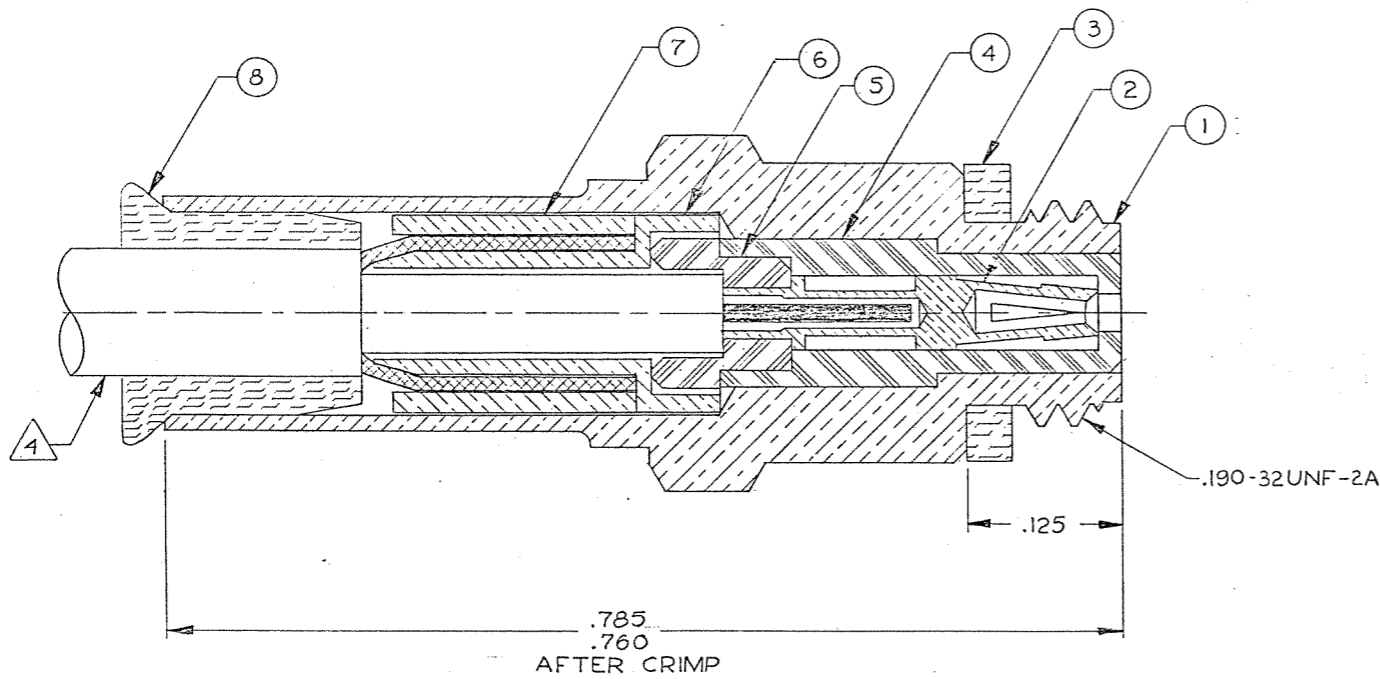
4

3

2

1

REVISIONS					
ZONE	LTR	ECN	DESCRIPTION	DATE	APPROVED
	E	25090	REV. & REDRAWN. ORIGINAL RELEASE 2-17-64 BY B.T. & JCS. <i>ck</i>	7/24/80	<i>hs</i>
	F	38857	UPDATE REV. LETTER	4/20/99	<i>hs</i>



Tyco Dwg 3-1532005-4  
Micro P/N 131-0136-0001

NOTES: UNLESS OTHERWISE SPECIFIED

- THIS CONNECTOR MATES WITH ALL 50 OHM GOLDEN CRIMP, CRIMP SILVER, AND S-50 PLUGS AS LISTED IN MALCO CATALOG.
- SEE RF-ASMB-8 FOR ASSEMBLY INSTRUCTIONS. SPECIAL TOOLS REQUIRED:  
CONTACT CRIMP: 010-0134-0000 AND LOCATOR 001-0104-0000 ALTERNATE TOOL 010-0065-0000.  
(NO LOCATOR REQUIRED)  
HOUSING CRIMP: 010-0082-0000
- ALL METAL PARTS ARE GOLD PLATED PER MIL-G-45204, TYPE II, GRADE C, CLASS I.
- CABLE ACCEPTANCE DIMENSIONS: JACKET DIAMETER: .110 MAX.  
DIELECTRIC DIAMETER: .057-.070  
INNER CONDUCTOR DIAMETER: .009-.020

FINISH	QTY REQD	CODE IDENT	PART OR IDENTIFYING NO.	DESCRIPTION	MATERIAL	ITEM
	1		003-0861-0001	SEALING SLEEVE	SILICONE RUBBER PER: ZZ-R-765	8
	1		003-0938-0002	MIDDLE CRIMP SLEEVE	LEADED COPPER	7
	1		003-0939-0002	INNER CRIMP SLEEVE	BRASS PER QQ-B-626	6
	1		003-0937-0001	CABLE INSULATOR	TEFLON PER L-P-403	5
	1		003-0818-0001	HOUSING INSULATOR	TEFLON PER L-P-403	4
	1		003-0268-0001	GASKET	SILICONE RUBBER PER ZZ-R-765	3
	1		003-0819-0002	SOCKET CONTACT	BERYLLIUM COPPER PER QQ-C-530	2
	1		003-0942-0002	HOUSING JACK	BRASS PER QQ-B-626	1

PARTS LIST

UNLESS OTHERWISE SPECIFIED DIMENSIONS ARE IN INCHES TOLERANCES ARE: FRACTIONS DECIMALS ANGLES ± .XX ± .XXX ± .010 ±		CONTRACT NO.		<b>MALCO</b> A MICRODOT COMPANY, INC. 306 PASADENA AVE., SO. PASADENA, CALIF. 91030	
MATERIAL		APPROVALS		DATE	
NOTED		DRAWN <i>C.B.</i>		3-21-80	
		CHECKED <i>EMH</i>		7-22-80	
		PR. ENG. <i>Agustin</i>		7-23-80	
		APPD.			
FINISH		SIZE		CODE IDENT NO.	
NOTED		C		98278	
NEXT ASSY		DRAWING NO.		131-0136-0001	
USED ON		<small>These drawings and specifications are the property of Microdot Inc., are issued in strict confidence and shall not be divulged, be reproduced or copied, or used as the basis for the manufacture or sale of any article without written permission of Microdot Inc.</small>		PROD. CODE 941 CODE CDM	

## X-ON Electronics

Largest Supplier of Electrical and Electronic Components

*Click to view similar products for [RF Connectors / Coaxial Connectors](#) category:*

*Click to view products by [TE Connectivity](#) manufacturer:*

Other Similar products are found below :

[8915-1511-000](#) [89674-0827](#) [6001-7071-019](#) [6002-7051-003](#) [6002-7551-202](#) [6059674-1](#) [619550-1](#) [630059-000](#) [M39030/3-01N](#) [6500-7071-046](#) [6769](#) [CX050L2AQ](#) [7002-1541-010](#) [7002-1542-011](#) [7004-1512-000](#) [7009-1511-004](#) [7010-1511-000](#) [7029-1511-060](#) [7101-1541-010](#) [7101-1571-002](#) [7105-1521-002](#) [7145-1521-002](#) [7203-1571-003](#) [7209-1511-011](#) [7210-1511-015](#) [7210-1511-019](#) [73137-5015](#) [73216-2241](#) [73404-2300](#) [7405-1521-005](#) [7405-1521-802](#) [8527](#) [8547](#) [FS11V](#) [877931](#) [9049-9513-000](#) [9074-9513-000](#) [9101-9573-002](#) [910A205F](#) [9130-9573-002](#) [PL11SC-026](#) [PL375-33](#) [PL40-5](#) [PL74C-221](#) [PL75MC-217](#) [PL803-7](#) [1200690078](#) [1-201144-1](#) [R107003010W](#) [R110A172100](#)