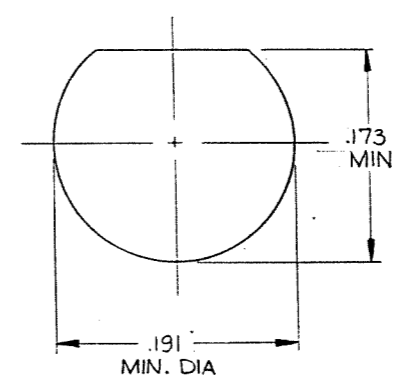
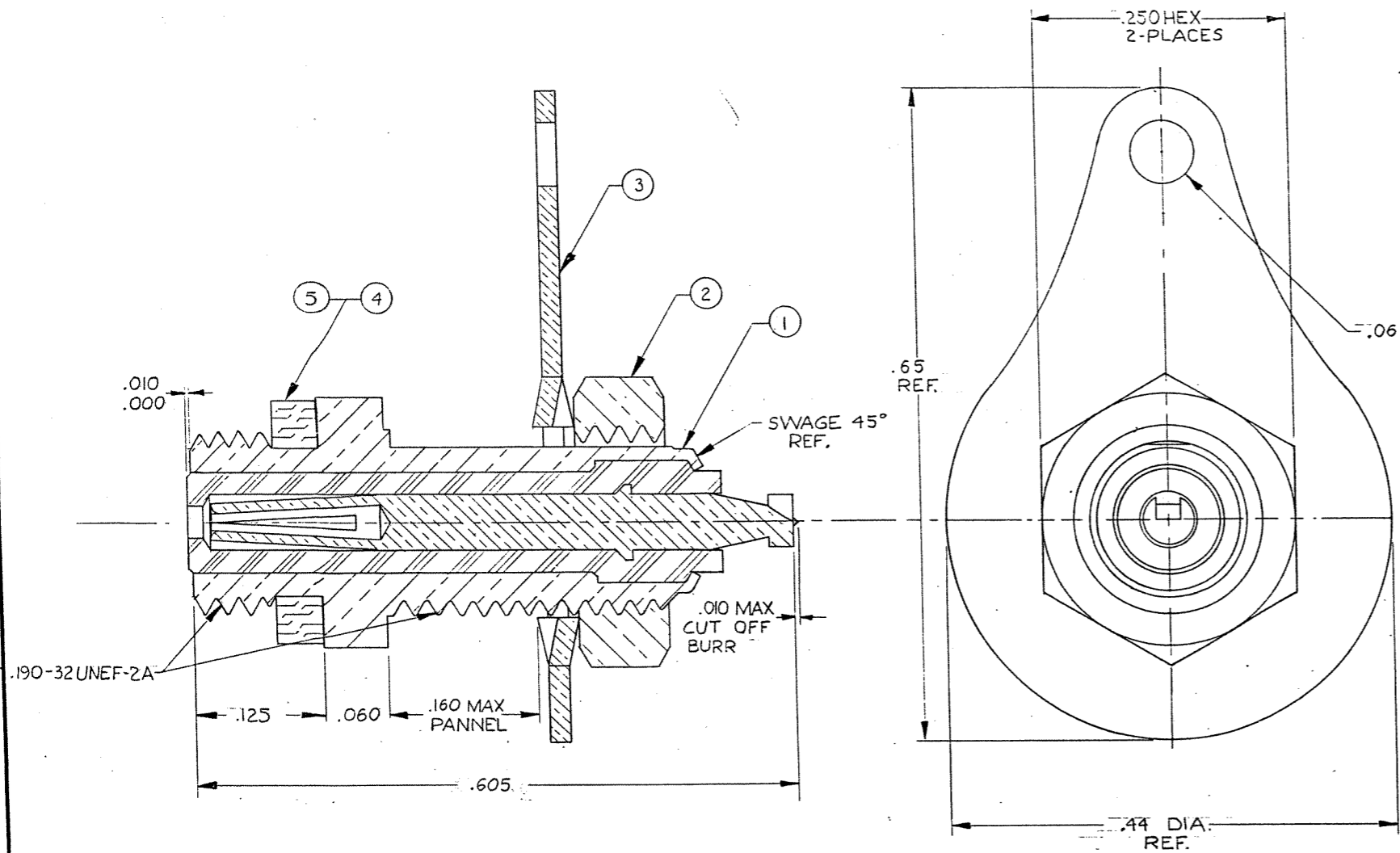


ZONE	LTR	ECN	DESCRIPTION	DATE	APPROVED
	F	25090	REV. & REDRAWN ORIGINAL ¹⁰ RELEASE 3-3-84 BY G.M & J.C.S	7/24/80	<i>RS</i>
	G	28937	ITEM 3 MAT'L WAS: PHOSPHOR BRONZE QQ-B-750	8/14/84	<i>RS</i>
	H	29639	0003-0011-0001 WAS: NEOPRENE	8/22/85	<i>MB</i>
	J	36834	ITEM 4, WAS 003-0011-0001	3-31-97	<i>RS</i>
	K	38714	UPDATE REV. LETTER	3-10-98	<i>RS</i>



NOTES:
 1. THIS CONNECTOR MATES WITH ALL 50 OHM MARC 131 PLUGS & ALL PLUGS IN SERIES: S-50 (MALCO CATALOG).
 2. GOLD PLATED PER MIL-G-45204, TYPE II, GRADE C, CLASS I.

	1	003-0268-0001	GASKET	SILICONE RUBBER PER ZZ-R-765	5	
	1	003-0268-0000	GASKET	SILICONE RUBBER, ZZ-R-765	4	
△	1	003-0306-0002	LOCK LUG	# 425 BRONZE ALLOY	3	
△	1	003-0009-0002	PANEL NUT	BRASS PER QQ-B-626	2	
	1	003-1477-0001	HOUSING SUBASSEMBLY		1	
			PART OR IDENTIFYING NO.	DESCRIPTION	MATERIAL	ITEM
			DASH NO.			

UNLESS OTHERWISE SPECIFIED DIMENSIONS ARE IN INCHES TOLERANCES ARE: FRACTIONS DECIMALS ANGLES ± .XX ± .XXX ± .010		CONTRACT NO.		MALCO A MICRODOT COMPANY, INC. 306 PASADENA AVE., SO. PASADENA, CALIF. 91030		PROD. CODE
MATERIAL		APPROVALS				DATE
FINISH		DRAWN <i>Costel Ponce</i>		4-24-80	CODE	CDM
NOTED		CHECKED <i>SPH</i>		7-22-80		
NEXT ASSY		PR. ENG. <i>Agustiney</i>		7-23-80	DRAWING NO.	
USED ON		APPD.			SIZE	
APPLICATION		DO NOT SCALE DRAWING		C 98278		131-0138-000*
				SCALE 10X1		SHEET 1 OF 1

TYCO CUSTOMER DWG
7-1532149-2

X-ON Electronics

Largest Supplier of Electrical and Electronic Components

Click to view similar products for [RF Connectors / Coaxial Connectors](#) category:

Click to view products by [TE Connectivity](#) manufacturer:

Other Similar products are found below :

[8915-1511-000](#) [89674-0827](#) [6001-7071-019](#) [6002-7051-003](#) [6002-7551-202](#) [6059674-1](#) [619550-1](#) [630059-000](#) [M39030/3-01N](#) [6500-7071-046](#) [6769](#) [CX050L2AQ](#) [7002-1541-010](#) [7002-1542-011](#) [7004-1512-000](#) [7009-1511-004](#) [7010-1511-000](#) [7029-1511-060](#) [7101-1541-010](#) [7101-1571-002](#) [7105-1521-002](#) [7145-1521-002](#) [7203-1571-003](#) [7209-1511-011](#) [7210-1511-015](#) [7210-1511-019](#) [73137-5015](#) [73216-2241](#) [73404-2300](#) [7405-1521-005](#) [7405-1521-802](#) [8527](#) [8547](#) [FS11V](#) [877931](#) [9049-9513-000](#) [9074-9513-000](#) [9101-9573-002](#) [910A205F](#) [9130-9573-002](#) [PL11SC-026](#) [PL375-33](#) [PL40-5](#) [PL74C-221](#) [PL75MC-217](#) [PL803-7](#) [1200690078](#) [1-201144-1](#) [R107003010W](#) [R110A172100](#)