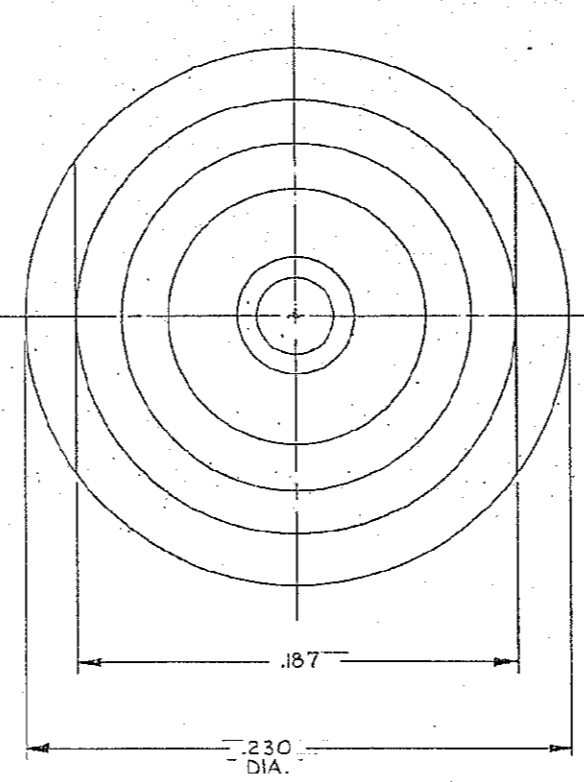
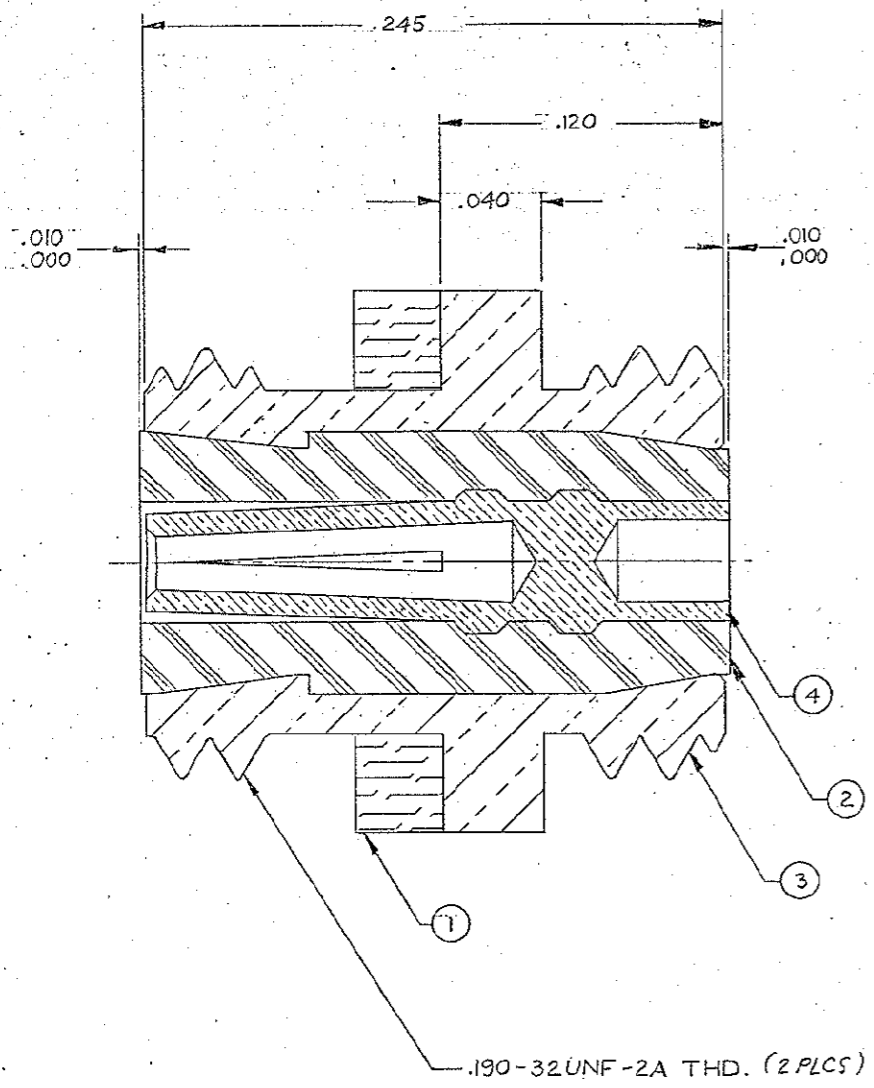


4 3 2 1

REVISIONS					
ZONE	LTR	ECN	DESCRIPTION	DATE	APPROVED
	D	25090	REV. & REDRAWN ORIGINAL RELEASE 9-3-84 BY G.M. & J.L.	7/24/80	[Signature]
	E	39853	UPDATE REV. LETTER.	1/27/84	[Signature]



NOTES:
 1. THIS CONNECTOR MATES WITH ALL 50 OHM GOLDEN CRIMP PLUGS AND ALL PLUGS IN SERIES S-50 AS LISTED IN MALCO CATALOG.
 2. ALL METAL PARTS ARE GOLD PLATED PER MIL-G-45204, TYPE II, GRADE C, CLASS I.

FINISH	QTY REQD	CODE IDENT	PART OR IDENTIFYING NO.	DESCRIPTION	MATERIAL	ITEM
	1		000-0201-0035	SOCKET CONTACT	BERYLLIUM COPPER PER QQ-C-530	4
	1		003-0015-0002	HOUSING	BRASS PER QQ-B-626	3
	1		000-0301-0083	INSULATOR	TEFLON PER L-P-403	2
	1		003-0268-0001	GASKET	SILICONE RUBBER PER ZZ-R-765	1

UNLESS OTHERWISE SPECIFIED DIMENSIONS ARE IN INCHES TOLERANCES ARE: FRACTIONS DECIMALS ANGLES ± .XX ± .XXX ± .010		CONTRACT NO.		MALCO A MICRODOT COMPANY, INC. 306 PASADENA AVE., SO. PASADENA, CALIF. 91030	
MATERIAL		APPROVALS		DATE	
NOTED		DRAWN <i>Colin Bonem</i>		4-30-80	
FINISH		CHECKED <i>E.H.</i>		7-22-80	
NOTED		PR. ENG. <i>Spencer</i>		7-23-80	
NEXT ASSY		APPD.		RECEPTACLE, BULKHEAD, GOLDEN CRIMP, 50 OHM	
USED ON		SIZE CODE IDENT NO. DRAWING NO. C 98278 131-0140-0001		PROD. CODE 941 CODE CDM	
APPLICATION		DO NOT SCALE DRAWING		SCALE 20X1 SHEET 1 OF 1	

X-ON Electronics

Largest Supplier of Electrical and Electronic Components

Click to view similar products for [RF Connectors / Coaxial Connectors](#) category:

Click to view products by [TE Connectivity](#) manufacturer:

Other Similar products are found below :

[R125315120](#) [8915-1511-000](#) [89674-0827](#) [5916-1103-603](#) [6-0001-3](#) [6001-7071-019](#) [6002-7051-003](#) [6002-7551-202](#) [6059674-1](#) [619550-1](#)
[630059-000](#) [M39012/25-0021](#) [M39012/79-3008](#) [M39030/3-01N](#) [M39030/3-03N](#) [M3933/25-36N](#) [6500-7071-046](#) [M83723/72W24576](#)
[M83723/72W2457N](#) [6769](#) [CX050L2AQ](#) [7002-1541-010](#) [7002-1572-002](#) [7003-1572-002](#) [7010-1511-000](#) [7029-1511-060](#) [7101-1541-010](#)
[7101-1571-002](#) [7105-1521-002](#) [7145-1521-002](#) [7209-1511-011](#) [7210-1511-015](#) [7210-1511-019](#) [7225-1512-050](#) [7242-1511-000](#) [73137-5015](#)
[73251-0111](#) [73251-0672](#) [7325-1512-000](#) [73276-1501](#) [73366-0013](#) [73404-2300](#) [73413-6080](#) [73415-5721](#) [7405-1521-005](#) [7405-1521-802](#)
[7406-1521-005](#) [804S01D04M040](#) [8145-1521-002](#) [81590](#)