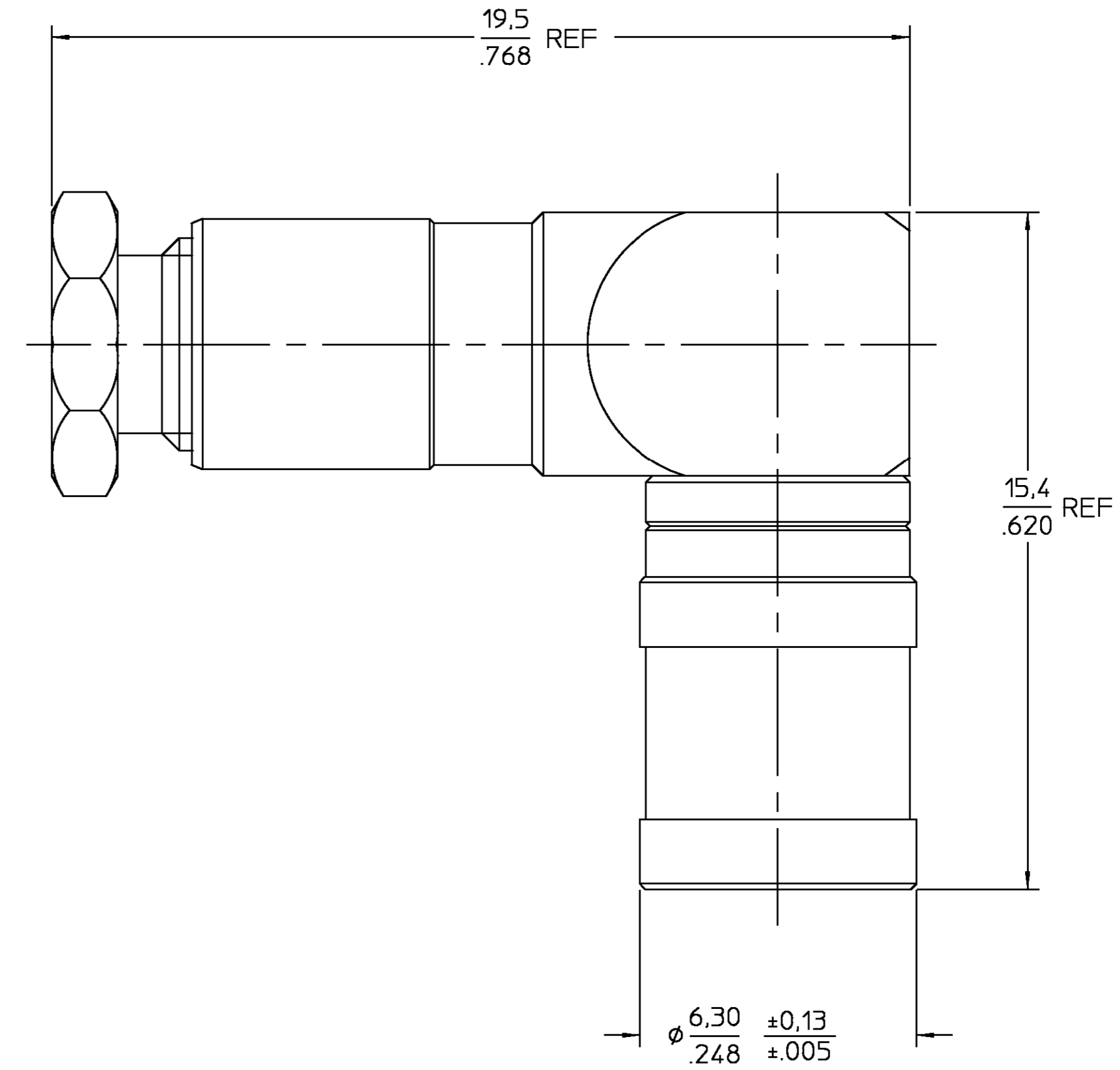
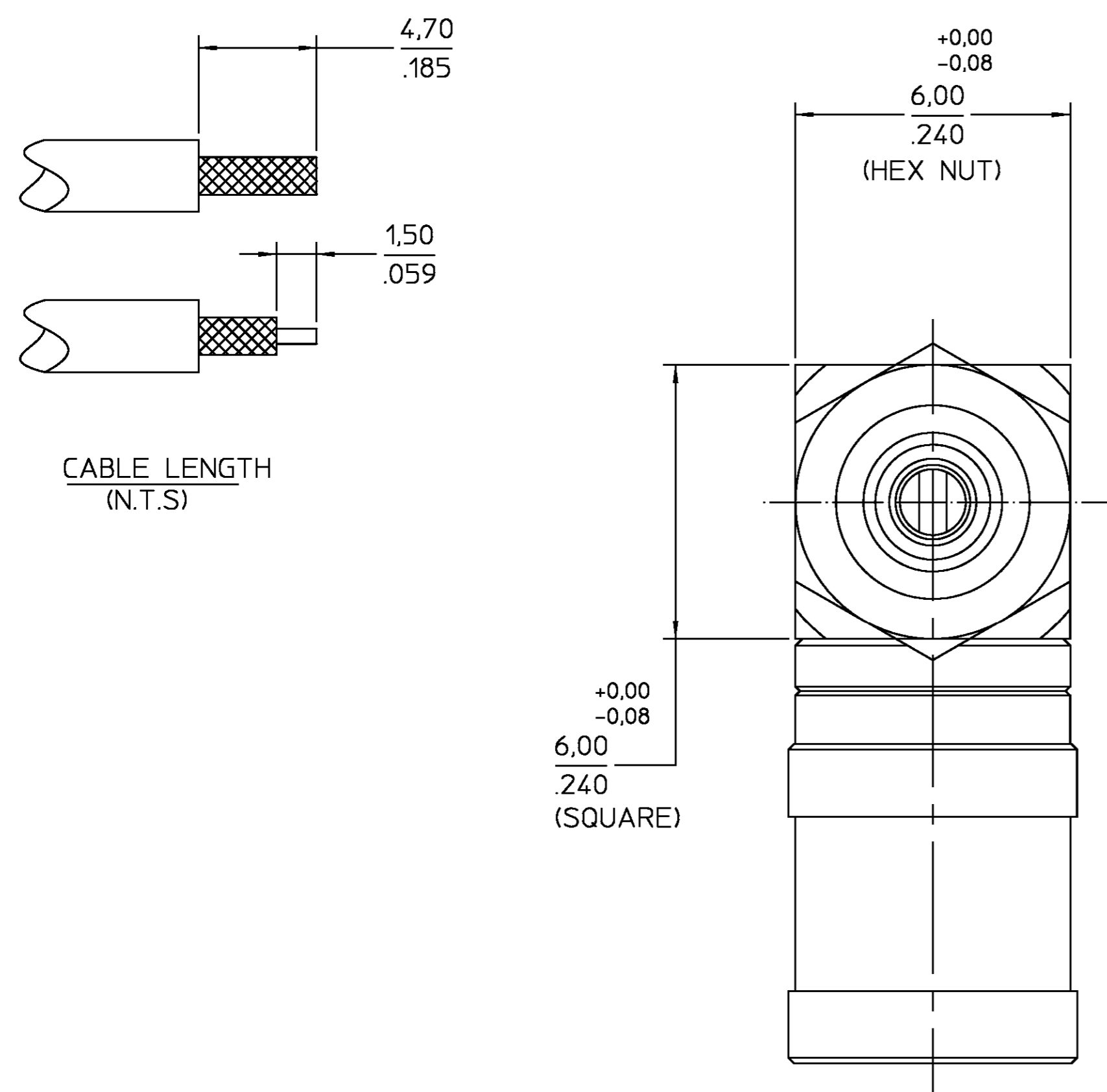


4 3 2 1

THIS DRAWING IS UNPUBLISHED. RELEASED FOR PUBLICATION  
 © COPYRIGHT - BY TYCO ELECTRONICS CORPORATION. ALL RIGHTS RESERVED.

LOC	DIST	REVISIONS					
HC	00	P	LTR	DESCRIPTION	DATE	DWN	APVD
		0		RELEASE	06/18/01	VM	RR 08/27/01



CABLE LENGTH  
(N.T.S)

NOTES:  
1. INSTRUCTION SHEET 408-8555

COMPONENT	MATERIAL	FINISH
CLAMP NUT RETAINING RINGS PLUG HOUSING EXTRA HOUSING SLEEVES	BRASS PER ASTM-B-16, HALF HARD	GOLD PLATE PER MIL-G-45204
RETAINING RING FEMALE CONTACT	BERYLLIUM COPPER PER ASTM-B-196 OR ASTM-B-197, ALLOY C17300 COND H	
GASKET	SILICONE RUBBER PER ZZ-R-65	N/A
DIELECTRIC	PTFE FLUOROCARBON PER ASTM-D-1457	

TM 3306, RG 174A/U, RG 188A/U, RG 316/U	1310818-1
CABLE TYPE	PART #

THIS DRAWING IS A CONTROLLED DOCUMENT.		DWN CPC 01-12-90	AMP Tyco Electronics Corporation Waltham MA. 02451-7599	
DIMENSIONS: MM/INCHES	TOLERANCES UNLESS OTHERWISE SPECIFIED:	CHK A. SMITH 01-12-90	NAME (B65B02G022X)	
	$\pm 0.20$ MM	APVD A. SMITH 01-12-90	PRODUCT SPEC	
	$\pm 0.008$ IN		APPLICATION SPEC	
ANGLES $\pm 1^\circ$		WEIGHT	SIZE A2	CAGE CODE 26805
		CUSTOMER DRAWING	DRAWING NO 1310818	RESTRICTED TO
			SCALE 10:1	SHEET 1 OF 1
				REV 0

## X-ON Electronics

Largest Supplier of Electrical and Electronic Components

*Click to view similar products for [RF Connectors / Coaxial Connectors](#) category:*

*Click to view products by [TE Connectivity](#) manufacturer:*

Other Similar products are found below :

[R125315120](#) [8915-1511-000](#) [89674-0827](#) [5916-1103-603](#) [0106-001-000](#) [6-0001-3](#) [6001-7071-019](#) [6002-7051-003](#) [6002-7551-202](#) [6059674-1](#) [619550-1](#) [630059-000](#) [M39012/25-0021](#) [M39012/79-3008](#) [M39030/3-01N](#) [M39030/3-03N](#) [M3933/25-29N](#) [M3933/25-36N](#) [6500-7071-046](#) [6501-1071-002](#) [M83723/72W24576](#) [M83723/72W2457N](#) [6769](#) [CX050L2AQ](#) [7002-1541-010](#) [7002-1572-002](#) [7003-1572-002](#) [7004-1512-000](#) [7009-1511-004](#) [7010-1511-000](#) [7029-1511-060](#) [7101-1541-010](#) [7101-1571-002](#) [7105-1521-002](#) [7145-1521-002](#) [7209-1511-011](#) [7210-1511-012](#) [7210-1511-015](#) [7210-1511-019](#) [7210-1511-040](#) [7225-1512-050](#) [7242-1511-000](#) [73137-5015](#) [73251-0111](#) [73251-0672](#) [73276-1501](#) [73366-0013](#) [73404-2300](#) [73413-6080](#) [734151610](#)