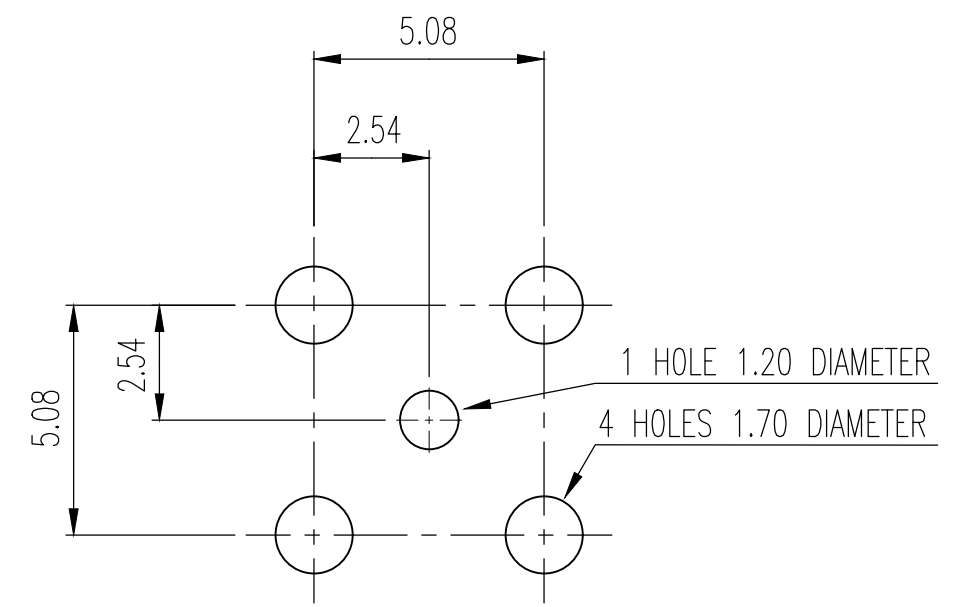
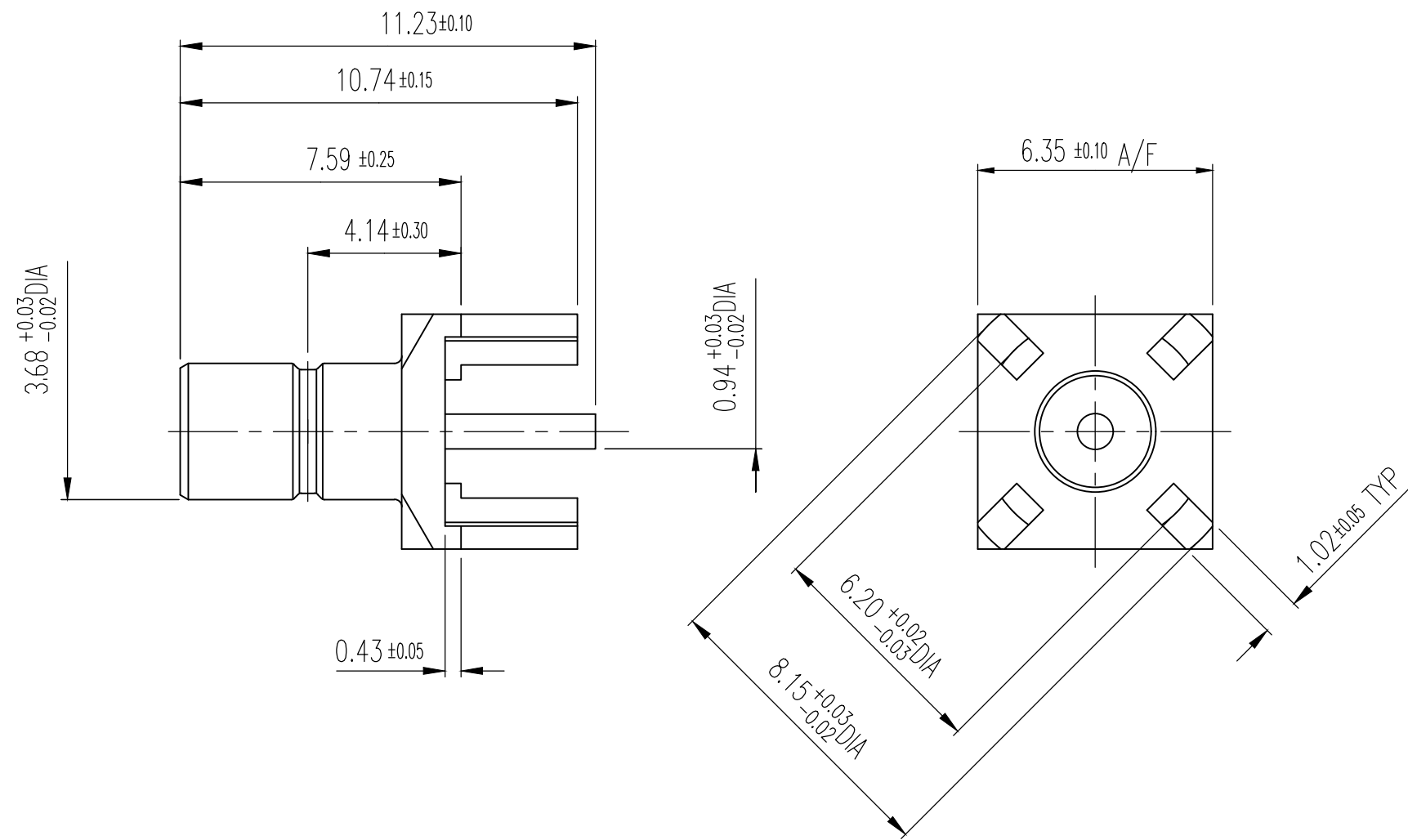


REVISIONS					
P	LTR	DESCRIPTION	DATE	DWN	APVD
	A1	REVISED PER ECR-20-010667	28JUL2020	ED	RS



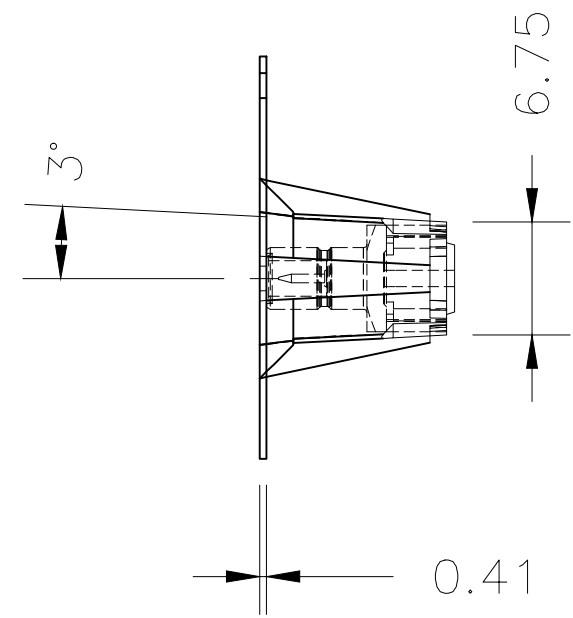
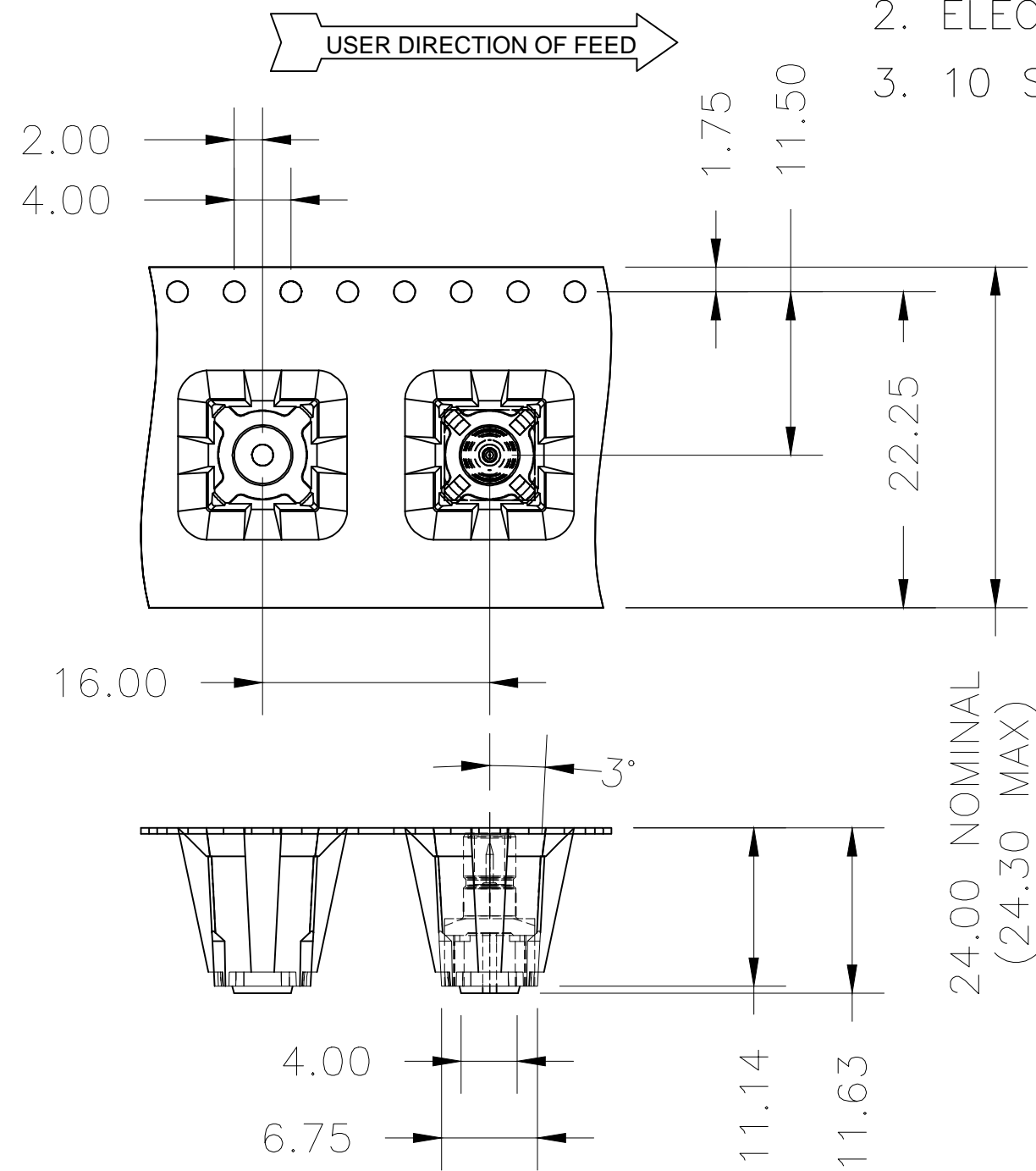
ELECTRICAL	MECHANICAL	ENVIRONMENTAL	BODY	MATERIAL	FINISH
Nominal Impedance (Ohms) <u>50</u>	Interface Dimensions <u>CECC 22 130</u>	TEMPERATURE RATING <u>-55°C TO +155°C</u>	MALE CONTACT	BRASS	GOLD
Frequency Range (GHz) <u>DC to 4.0</u>	Recommended Mating		INSULATOR	BRASS	GOLD
Volt Rating (VRMS MAX) @ Sea Level <u>350</u>	Torque <u>N/A</u>			PTFE	N/A
carona, 70,000Ft (VMRS MIN)	Force to Engage and Disengage (Newtons MAX) <u>60</u>		COMPONENT MATERIAL FINISH		
Dielectric Withstanding Voltage (VRMS MIN) @ Sea Level <u>1,000</u>	Center Contact Captivation				
Contact Resistance (Milliohms MAX) Center Contact <u>5.0</u>	Axial (N)	CABLE ENTRY DIAMETER MINIMUM			
Outer Contact <u>2.5</u>	Radial (Nm) <u>N/A</u>				
cable to Housing	Cable Retention				
I.R.(Megohms MIN) <u>1,000</u>	Axial Force (N) <u>N/A</u>				
	Torque (Nm) <u>N/A</u>				
	Weight (Grams) <u>TBD</u>				

TAPE AND REEL	1310851-3
BULK	1310851-1
PACKAGING	PART NO

THIS DRAWING IS A CONTROLLED DOCUMENT.		DWN RAGHAVENDRA 05JAN2010	TE Connectivity	
		CHK KEVIN WEIDNER 05JAN2010		
		APVD KEVIN WEIDNER	NAME	
		PRODUCT SPEC	SMB PCB JACK RECEPTACLE	
		APPLICATION SPEC		
		WEIGHT 0.000000	SIZE A3	CAGE CODE 26805
		CUSTOMER DRAWING	DRAWING NO C-1310851	RESTRICTED TO
			SCALE 6:1	SHEET 1 OF 2
				REV A1

REVISIONS					
P	LTR	DESCRIPTION	DATE	DWN	APVD
-	-	SEE SHEET 1	-	-	-

- ① THE DETAIL SPEC OF TAPE AND REEL PACKAGING FOR 1310851-3
- 2. ELECTROSTATIC PROTECTIVE PER SPECIFICATION 115-59.
- 3. 10 SPROCKET HOLE PITCH CUMULATIVE TOLERANCE ±0.2mm



24.00 NOMINAL  
(24.30 MAX)

THIS DRAWING IS A CONTROLLED DOCUMENT.

DIMENSIONS:	TOLERANCES UNLESS OTHERWISE SPECIFIED:
mm	
	0 PLC ± -
	1 PLC ± -
	2 PLC ± 0.15
	3 PLC ± -
	4 PLC ± -
	ANGLES ± 1°

MATERIAL - FINISH -

DWN	05JAN2010
RAGHAVENDRA	
CHK	05JAN2010
KEVIN WEIDNER	
APVD	
KEVIN WEIDNER	
PRODUCT SPEC	
APPLICATION SPEC	
WEIGHT	0.000000
CUSTOMER DRAWING	



NAME				SMB PCB JACK RECEPTACLE	
SIZE	CAGE CODE	DRAWING NO	RESTRICTED TO		
A3	26805	C-1310851	-		
SCALE		SHEET	REV		
6:1		2 OF 2	A1		

## X-ON Electronics

Largest Supplier of Electrical and Electronic Components

*Click to view similar products for [RF Connectors / Coaxial Connectors](#) category:*

*Click to view products by [TE Connectivity](#) manufacturer:*

Other Similar products are found below :

[8915-1511-000](#) [89674-0827](#) [6001-7071-019](#) [6002-7051-003](#) [6002-7551-202](#) [6059674-1](#) [619550-1](#) [630059-000](#) [M39030/3-01N](#) [6500-7071-046](#) [6769](#) [CX050L2AQ](#) [7002-1541-010](#) [7002-1542-011](#) [7004-1512-000](#) [7009-1511-004](#) [7010-1511-000](#) [7029-1511-060](#) [7101-1541-010](#) [7101-1571-002](#) [7105-1521-002](#) [7145-1521-002](#) [7203-1571-003](#) [7209-1511-011](#) [7210-1511-015](#) [7210-1511-019](#) [73137-5015](#) [73216-2241](#) [73404-2300](#) [7405-1521-005](#) [7405-1521-802](#) [8527](#) [8547](#) [FS11V](#) [877931](#) [9049-9513-000](#) [9074-9513-000](#) [9101-9573-002](#) [910A205F](#) [9130-9573-002](#) [PL11SC-026](#) [PL375-33](#) [PL40-5](#) [PL74C-221](#) [PL75MC-217](#) [PL803-7](#) [1200690078](#) [1-201144-1](#) [R107003010W](#) [R110A172100](#)